



SPARE PARTS EXPLODED VIEW GAS BURNERS

Model

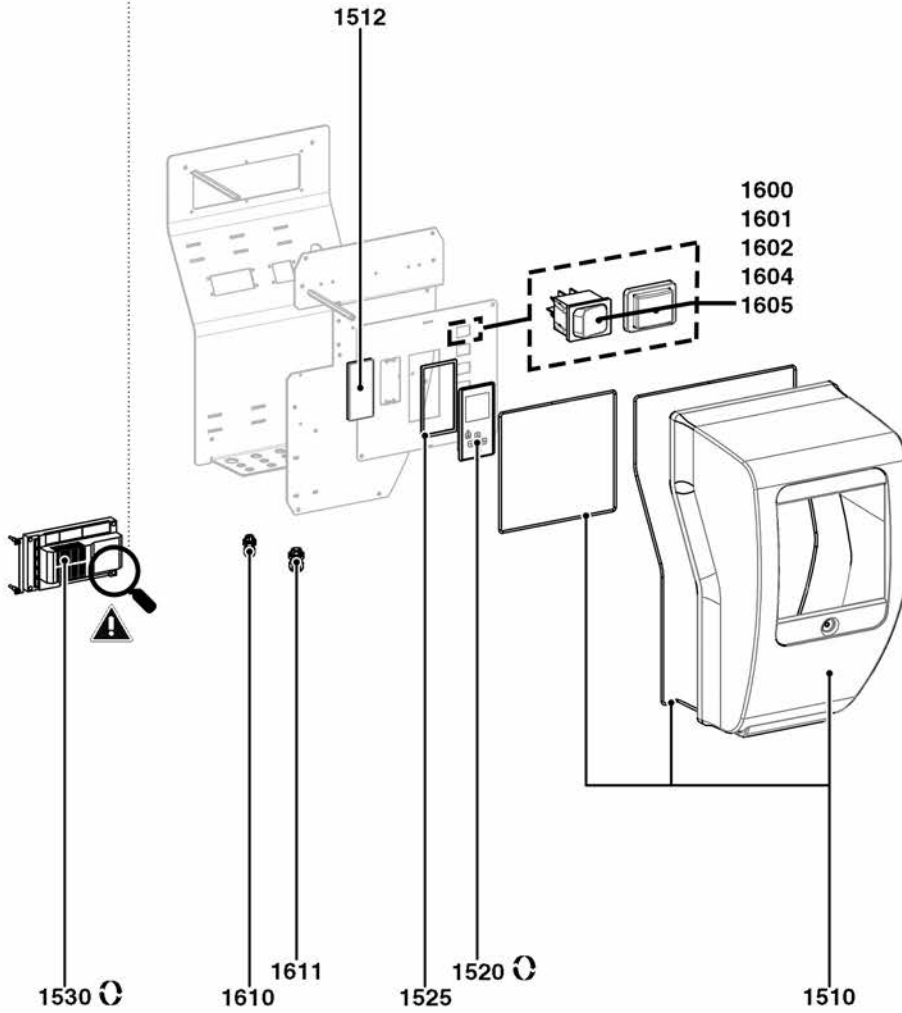
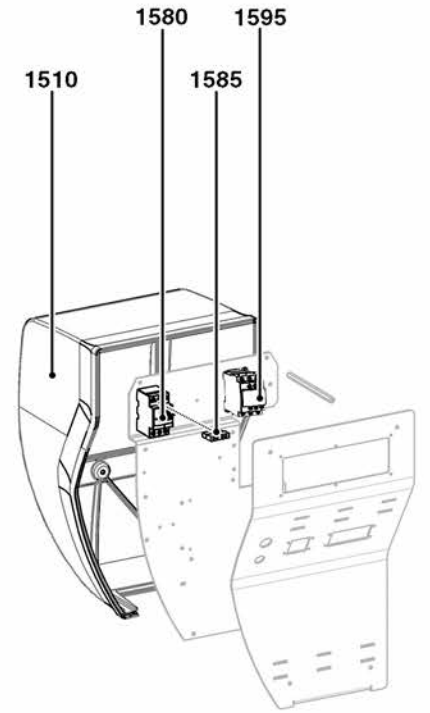
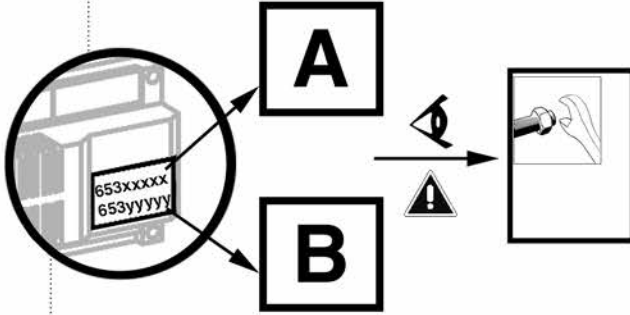
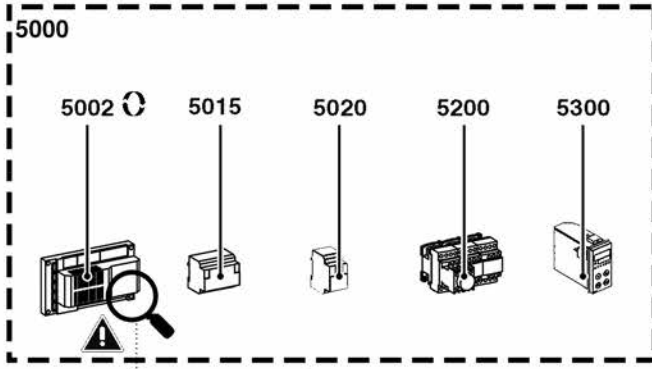
CB-EKEVO 6/7 G-EF3

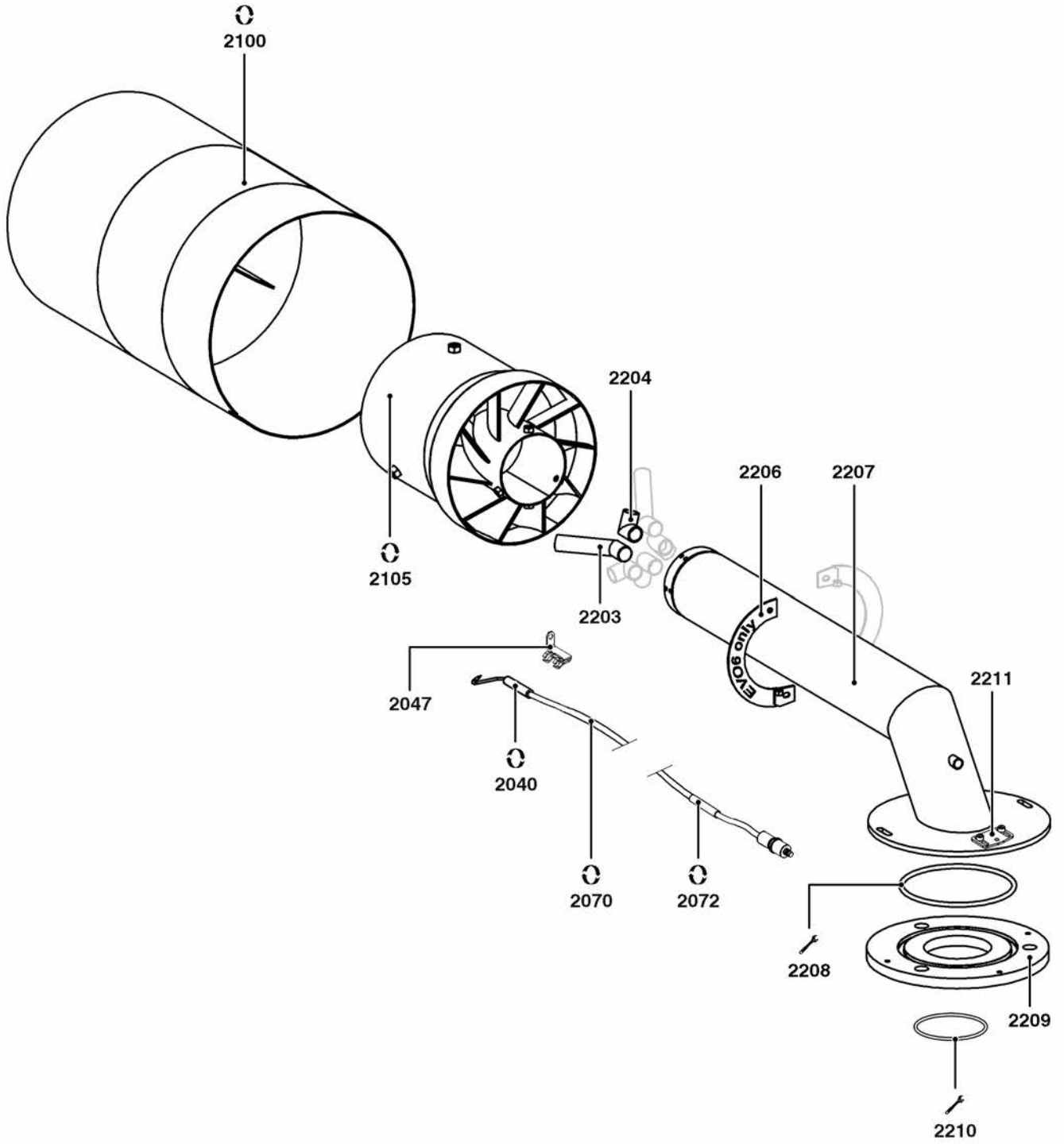
R8220106-01 - 08/12/2015

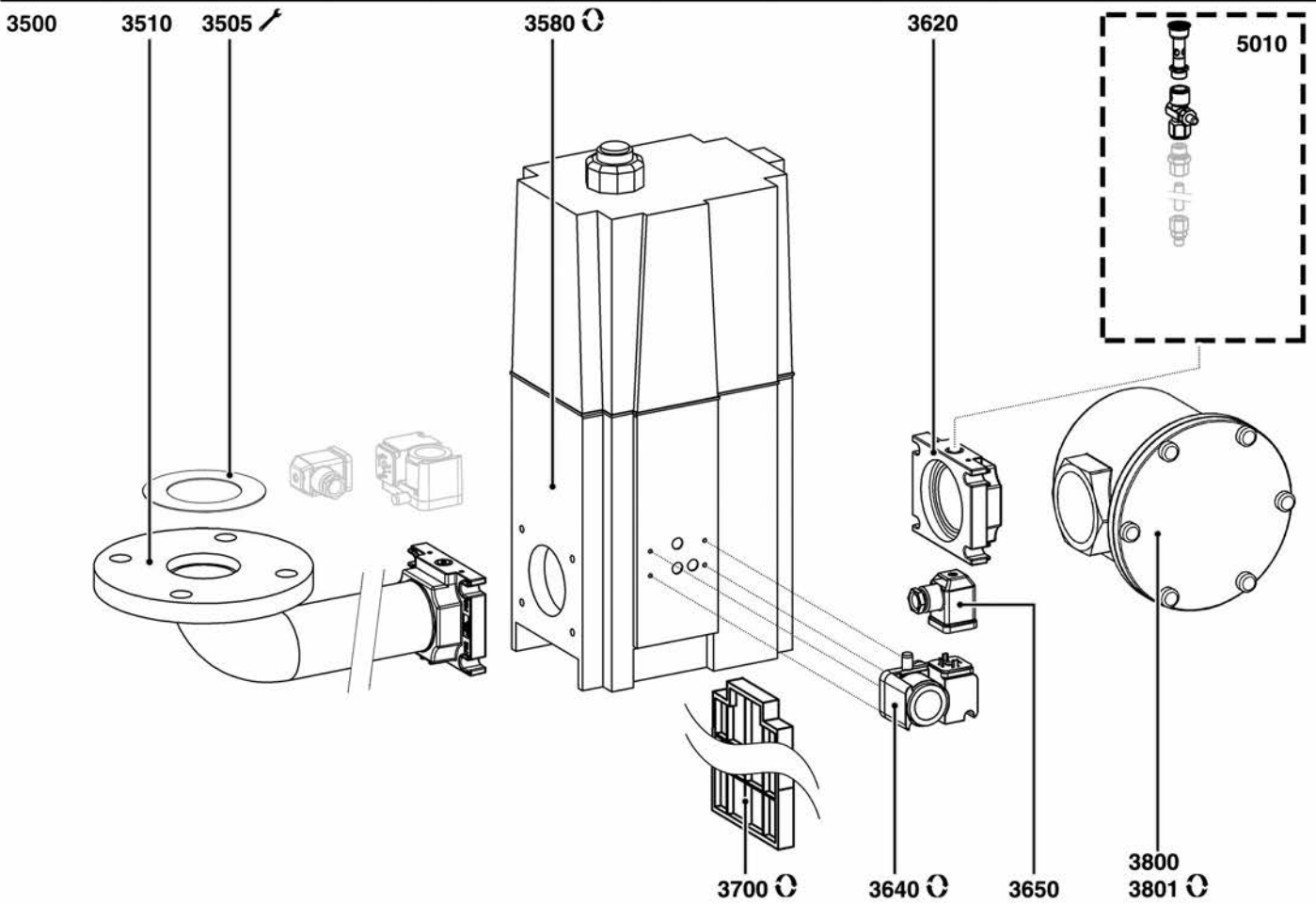
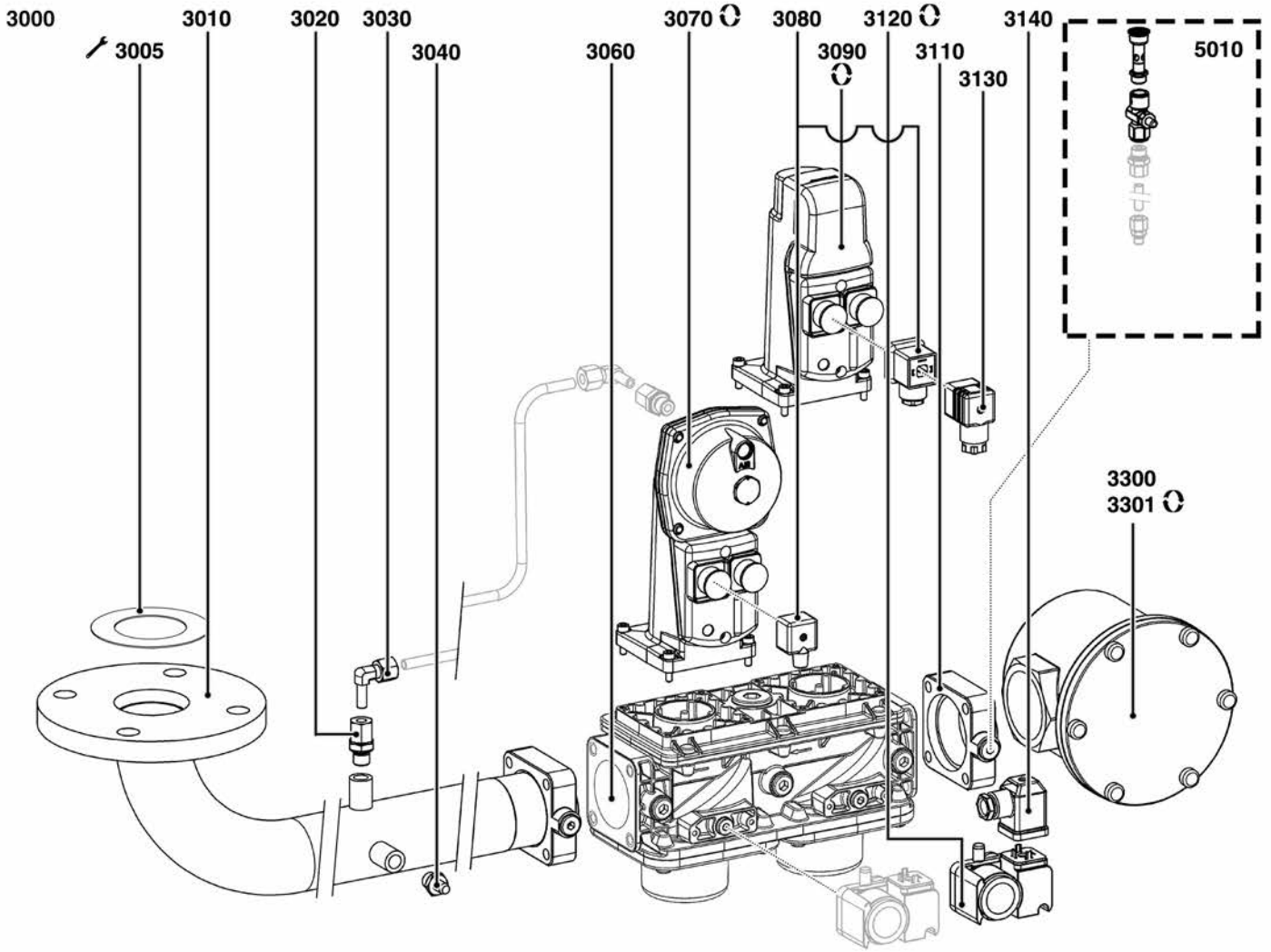
1	3754046	EKEVO 6.2400 G-EF3/BT3/KN	05-2015	-
1	3754050	EKEVO 6.2400 G-EF3/BT3/KM	05-2015	-
1	3754054	EKEVO 6.2400 G-EF3/BT3/KL	05-2015	-
2	3754047	EKEVO 6.2900 G-EF3/BT3/KN	05-2015	-
2	3754051	EKEVO 6.2900 G-EF3/BT3/KM	05-2015	-
2	3754055	EKEVO 6.2900 G-EF3/BT3/KL	05-2015	-
3	3754048	EKEVO 7.3600 G-EF3/BT3/KN	05-2015	-
3	3754052	EKEVO 7.3600 G-EF3/BT3/KM	05-2015	-
3	3754056	EKEVO 7.3600 G-EF3/BT3/KL	05-2015	-
4	3754049	EKEVO 7.4500 G-EF3/BT3/KN	05-2015	-
4	3754053	EKEVO 7.4500 G-EF3/BT3/KM	05-2015	-
4	3754057	EKEVO 7.4500 G-EF3/BT3/KL	05-2015	-
5	3750525	GT-s451-1" 1/2	01-2014	-
6	3750526	GT-s452-2"	01-2014	-
7	3750509	GT-d451-1" 1/4	01-2014	-
8	3750510	GT-d452-1" 1/2	01-2014	-
9	3750511	GT-d453-2"	01-2014	-
10	3750527	GT-s453-65	01-2014	-
11	3750528	GT-s454-80	01-2014	-
12	3750529	GT-s455-100	01-2014	-
13	3750530	GT-s456-125	01-2014	-
14	3750512	GT-d454-65	01-2014	-
15	3750513	GT-d455-80	01-2014	-
16	3750514	GT-d456-100	01-2014	-

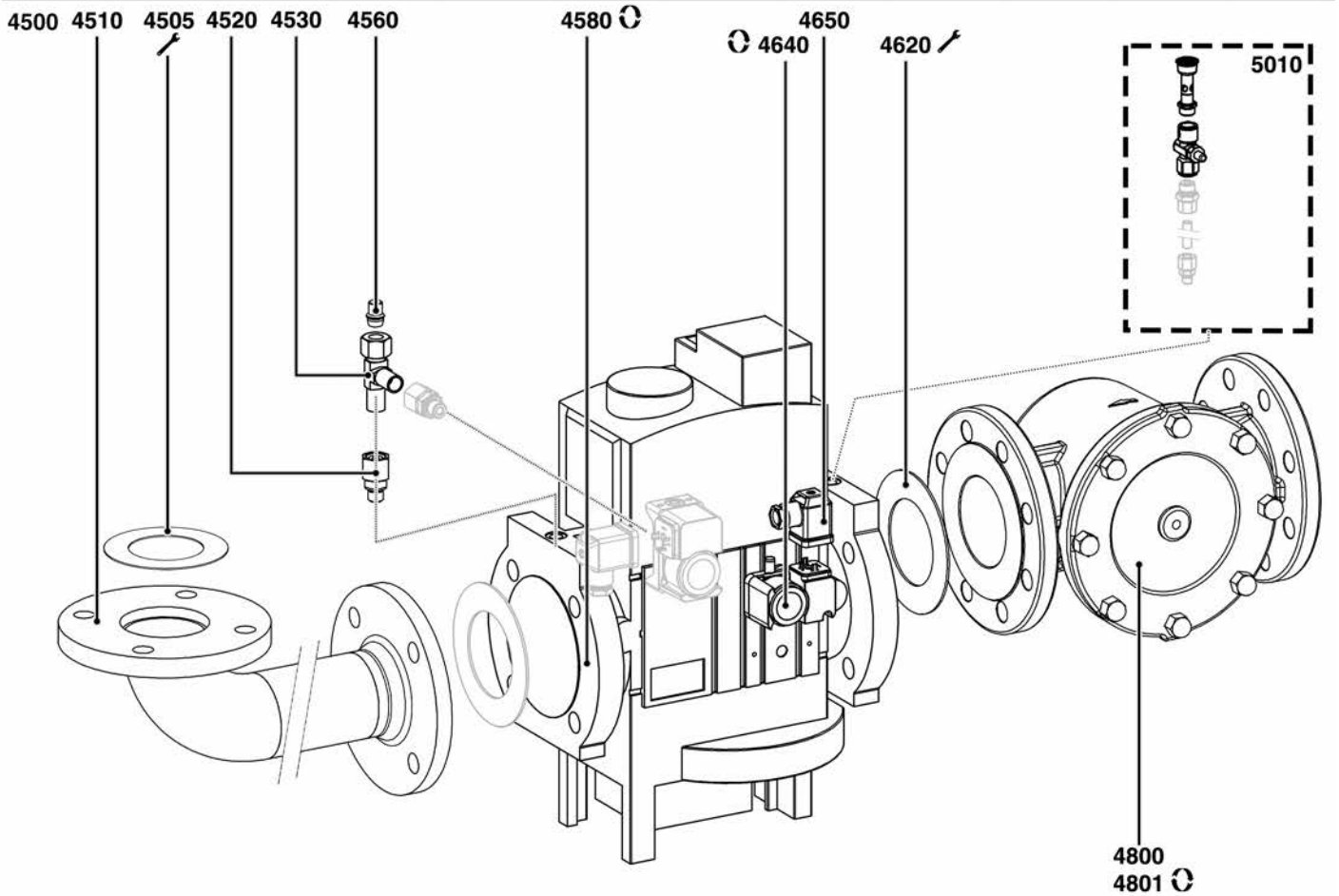
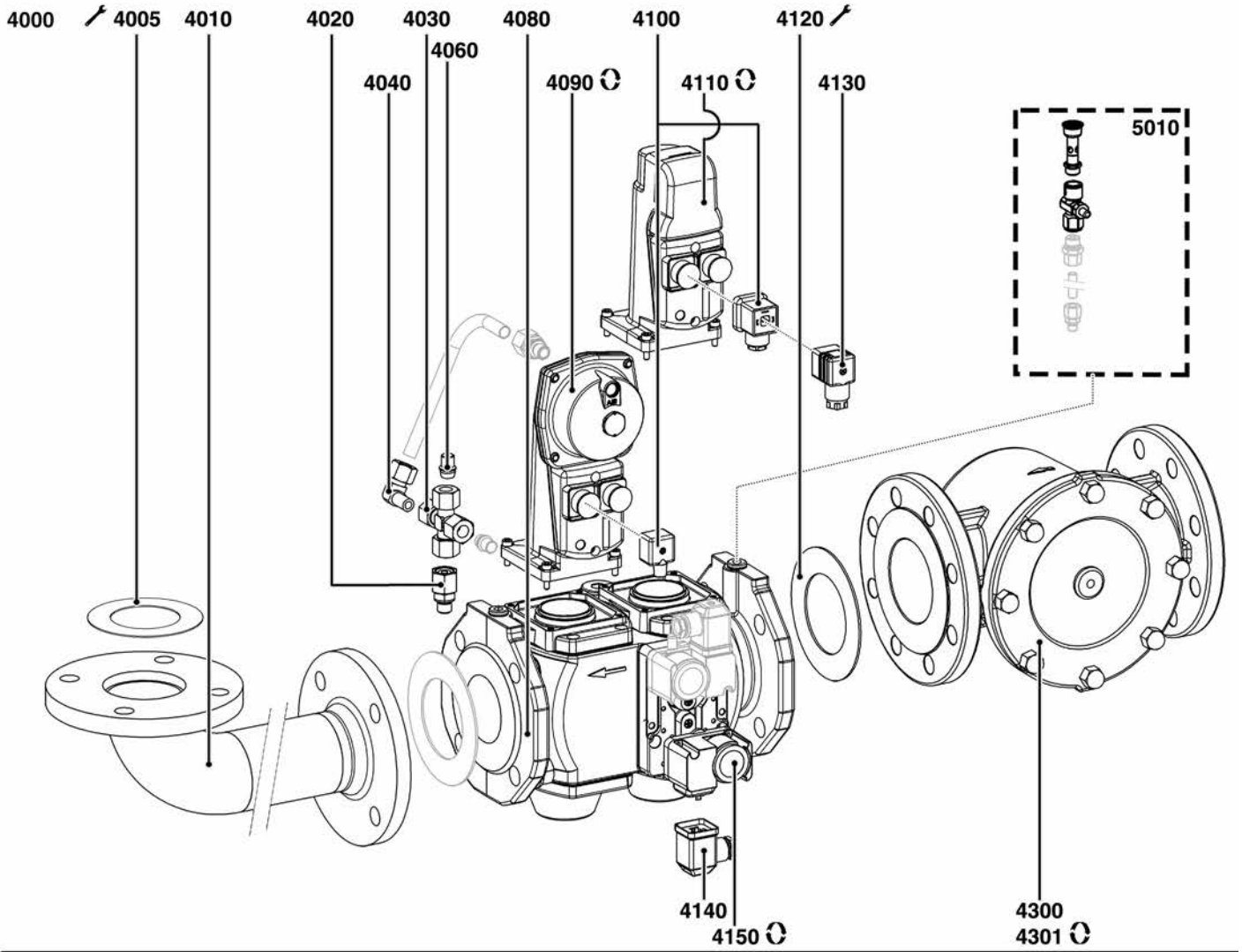
Col	Reference	Model type	Begin	End
-----	-----------	------------	-------	-----

1500









☉⇒	Description	Manf. Pt N	Type	<div style="display: flex; justify-content: space-between; align-items: center;"> <div style="writing-mode: vertical-rl; transform: rotate(180deg); font-size: 8px;"> EKEVO 6-2400 G-EF3 EKEVO 6-2800 G-EF3 EKEVO 7-3800 G-EF3 EKEVO 7-4500 G-EF3 GT-9451-11/2 GT-9452-2" GT-9451-11/4 GT-9453-2" GT-9453-65 GT-9454-80 GT-9455-100 GT-9456-125 GT-9457-65 GT-9458-80 GT-9459-100 </div> <div style="border: 1px solid black; padding: 2px; font-weight: bold; font-size: 12px;">31</div> </div>																		From	to
				1	2	3	4	5	6	7	8	9	10	11	12	13	14	15	16	17	18		
4000	GAS TRAIN																						
4005	GASKET GAS COLLECTOR D125/90X3	65321049										●	●	●	●								
4010	COLLECTOR DN65-DN100 PN16	65311508												●									
	COLLECTOR DN65-DN125 PN16	65311509													●								
	COLLECTOR DN65-DN65 PN16	65311506										●											
	COLLECTOR DN65-DN80 PN16	65311494											●										
4020	STRAIGHT UNION P-EGES 12L/R 1/4WD	65311601										●	●	●	●								
4030	UNION P-KV12L	65311605										●	●	●	●								
4040	ANGLED UNION P-EWS 12 L-SS	65311603										●	●	●	●								
4060	ENDPLUG VSD 12L/S O.M.MB.	65311607										●	●	●	●								
4080	GAS VALVE VGD40 065 DN65	65323661										●											
	GAS VALVE VGD40 080 DN80	65311583											●										
	GAS VALVE VGD40 100 DN100	65311590												●									
	GAS VALVE VGD40 125 DN125	65311453													●								
4090	GAS ACTUATOR SKP25.003E2 W.O.END SWITCH	65107100										●	●	●	●								
4100	CONNECTING CABLE AGA62.000A000	65311585										●	●	●	●								
4110	GAS ACTUATOR SKP15.000E2 W/O END SWITCH	1478836180										●	●	●	●								
4120	GASKET DIN EN 1514-1 DN100 PN16	65311613												●									
	GASKET DIN EN 1514-1 DN125 PN16	65311614													●								
	GASKET DIN EN 1514-1 DN150 PN16	65311342														●							
	GASKET DIN EN 1514-1 DN65/PN16	65311611										●											
	GASKET DIN EN 1514-1DN 80 PN16	65311612											●										
4130	FEMALE CONNECTOR AGA64	65311586										●	●	●	●								
4140	CONNECTOR GDMW 30-11 DF	65311615										●	●	●	●								
4150	GAS PRESS.SWITCH GW 150 A6 10-150MB DIN	65311597	30-150mb									●	●	●	●								
	GAS PRESS.SWITCH GW 500 A5 100-500MB	13010091	30-500mb									●	●	●	●								
4300	GAS FILTER GF100MF-3232-A-1 DN100 1BAR	65311462										●	●	●	●								
	GAS FILTER GF125MF-4040-A-1 DN125 1BAR	65311463										●	●	●	●								
	GAS FILTER GF150MF-4848-A-1 DN150 1BAR	65311892										●	●	●	●								
	GAS FILTER GF65MF-2020-A-1 DN65 1BAR	65311460										●											
	GAS FILTER GF80MF-2424-A-1 DN80 1BAR	65311461										●											
4301	STRAINER ELEMENT GF100MF	65311889										●	●	●									
	STRAINER ELEMENT GF125MF	65311890										●	●	●	●								
	STRAINER ELEMENT GF150MF	65311623										●	●	●	●								
	STRAINER ELEMENT GF65MF	65311723										●											
	STRAINER ELEMENT GF80MF	65311888										●	●										
4500	GAS TRAIN																						
4505	GASKET GAS COLLECTOR D125/90X3	65321049													●	●	●						
4510	COLLECTOR DN65-DN100 PN16	65311508														●							
	COLLECTOR DN65-DN65 PN16	65311506														●							
	COLLECTOR DN65-DN80 PN16	65311494														●							
4520	STRAIGHT UNION P-EGES 12L/R 1/4WD	65311601													●	●	●						
4530	T-UNION P-TV 12 L	65311344													●	●	●						
4560	ENDPLUG VSD 12L/S O.M.MB.	65311607													●	●	●						
4580	GAS VALVE MBC1900 SE DN65 40-80MBAR	65311844													●								
	GAS VALVE MBC3100 SE DN80 40-80 MBAR	65311845														●							
	GAS VALVE MBC5000 SE DN100 40-80 MBAR	65311846															●						
4620	GASKET DIN EN 1514-1 DN100 PN16	65311613														●							
	GASKET DIN EN 1514-1 DN125 PN16	65311614														●							
	GASKET DIN EN 1514-1 DN150 PN16	65311342														●							
	GASKET DIN EN 1514-1 DN65/PN16	65311611											●										
	GASKET DIN EN 1514-1DN 80 PN16	65311612												●									
4640	GAS PRESS.SWITCH GW 150 A6 10-150MB DIN	65311597	30-150mb												●	●	●						
	GAS PRESS.SWITCH GW 500 A5 100-500MB	13010091	30-500mb												●	●	●						
4650	CONNECTOR GDMW 30-11 DF	65311615													●	●	●						
4800	GAS FILTER GF100MF-3232-A-1 DN100 1BAR	65311462													●	●	●						
	GAS FILTER GF125MF-4040-A-1 DN125 1BAR	65311463													●	●	●						
	GAS FILTER GF150MF-4848-A-1 DN150 1BAR	65311892													●	●	●						
	GAS FILTER GF65MF-2020-A-1 DN65 1BAR	65311460													●								
	GAS FILTER GF80MF-2424-A-1 DN80 1BAR	65311461													●								
4801	STRAINER ELEMENT GF100MF	65311889													●	●	●						
	STRAINER ELEMENT GF125MF	65311890													●	●	●						
	STRAINER ELEMENT GF150MF	65311623													●	●	●						
	STRAINER ELEMENT GF65MF	65311723													●								
	STRAINER ELEMENT GF80MF	65311888													●	●							
5000	ACCESSORY																						
5010	TRIAL BURNER WITH PUSH-BUTTON PB2	65311362										●	●	●	●	●	●						

CB-EKEVO 6/7 G-EF3



Gas burners

		DE NL	FR ES	IT	X
1020	65312332	HAUBE LUFTANSAUGKASTEN KAP/LUCHTKAST	CAPOT/BOITE A AIR CUBIERTA/CAJA DE AIRE	COPERCHIO/SCATOLA DELL'ARIA	1
1030	65312333	DÄMMSTOFFFOLIE GELUIDSSISOLATIE/LUCHTKAST	ISOLATION PHONIQUE/BOITE A AIR AISLAMIENTO/CAJA DE AIRE	ISOLAMENTO FONICO/SCATOLA DELL'ARIA	1
1040	65311474	ANSAUGTRICHTER LUCHTGELEIDER	GUIDE AIR CANALIZACIÓN AIRE	GUIDA ARIA	1
	65311490	ANSAUGTRICHTER LUCHTGELEIDER	GUIDE AIR CANALIZACIÓN AIRE	GUIDA ARIA	1
1050	1180603227	SCHAUGLAS F.MONOBL.KLAR D55X21 KLEURLOOS KIJKGLAS D55X21	VERRE DE REGARD D55x21 CLAIR MIRILLA INCOLORA D55X21	SPIONCINO INCOLORE D55X21	1
1060	1188052260	SCHAUGLASDECKEL Z.MONOBL.55X61 DEKSEL/KIJKGLAS D55X61	CACHE REGARD D55X61 TAPA/MIRILLA D55X61	COPERCHIO/SPIONCINO D55X61	1
1070	1180559591	MUTTER SCHAUGLAS M48X1,5 SW60 MOER/KIJKGLAS M48X1,5 SW60	ECROU REGARD M48X1,5 SW60 TUERCA/MIRILLA M48X1,5 SW60	DADO/SPIONCINO M48X1,5 SW60	1
1080	65311489	VENTILATORRAD D438/225X89-D28+ENTSCH.D58 VENTILATORWIEL D438/225X89 d28+PLATE D58	TURBINE D438/225X89 d28+PLAQUE D58/12 TURBINA D438/225X89 d28+PLATE D58/12	VENTOLA D438/225X89 d28+PIASTRA D58/12	1
	65311500	VENTILATORRAD D415/225X84-D28+ENTSCH.D58 VENTILATORWIEL D415/225X84 d28+PLATE D58	TURBINE D415/225X84 d28+PLAQUE D58/12 TURBINA D415/225X84 d28+PLATE D58/12	VENTOLA D415/225X84 d28+PIASTRA D58/12	1
	65311822	VENTILATORRAD D485/252X102-D38 VENTILATORWIEL D485/252X102d38+PLATE D58	TURBINE D485/252X102 d38+PLAQUE D58/12 TURBINA D485/252X102 d38+PLATE D58/12	VENTOLA D485/252X102 d38	1
1090	65311471	ZUENDTRAFO EBI 1X11 230V ONTSTEKINGSTRAFO EBI 1X11 230V	ALLUMEUR EBI 1X11 230V ENCENDEDOR EBI 1X11 230V	TRASFORMATORE ACCENSIONE EBI 1X11 230V	1
1093	65313375	BRIDE D22.5 ZU FOTOZELLE RAR 7/QRA 2 STIJGBEUGEL FOTOCEL D22.5 RAR 7/QRA 2	ETRIER CELLULE D22.5 POUR RAR 7/QRA 2 ESTRIBO CELULA D22.5 PARA RAR 7/QRA 2	STAFFA FOTOCELLULA D22.5 PER RAR7/QRA2	1
1094	65312311	FLANSCH FOTOZELLENHALTER D22.5 ALU FOTOCEL STEUN	SUPPORT CELLULE SOPORTE CELULA	SUPPORTO FOTOCELLULA	1
1095	13019278	FOTOZELLE QRA 2 FOTOCEL QRA 2	CELLULE QRA 2 CELULA QRA 2	CELLULA QRA 2	1
1100	65311472	SICHTSPIEGEL FÜR SCHAUGLAS SPIEGEL/KIJKGLAS	MIROIR/REGARD ESPEJO/MIRILLA	SPECCHIO/SPIONCINO	1
1110	65311595	DRUCKWAECHTER LGW 50 A2P 2,5-50MBAR LUCHTDRUKSCHAKELAAR LGW 50 A2P 2,5-50MB	MANOSTAT AIR LGW 50 A2P 2,5-50MB PRESOSTATO AIRE LGW 50 A2P 2,5-50MB	PRESSOSTATO ARIA LGW 50 A2P 2,5-50MB	1
1120	65312321	GASKLAPPE+SCHRITTMOTOR BG GASKLEP+SERVOMOTOR EQ.	CLAPET GAZ+SERVOMOTEUR EQ. VALVULA DEL GAS+SERVOMOTOR EQ.	VALVOLA DEL GAS+SERVOMOTORE COMPL.	1
1121	65312322	GASKLAPPE BG GASKLEP EQ.	CLAPET GAZ EQ. VALVULA DEL GAS EQ.	VALVOLA GAS COMPL.	1
1122	65312323	GASSTELLANTRIEB BG STA4.5 B037/6-R 0,8NM SERVOMOT. GAS KPL.STA4.5 B037/6-R 0,8 NM	SERVOMOT. GAZ CPL.STA4.5 B037/6-R 0,8NM SERVOMOT. GAS EQ. STA4.5 B037/6-R 0,8NM	SERVOMOT. GAS EQ. STA4.5 B037/6-R 0,8 NM	1
1123	65312458	KABELDURCHFUEHRUNG DIM.34X15/12 D.6,2 DRAADDOORVOER DIM.34X15/12 D.6,2	PASSE-FIL DIM.34X15/12 D.6,2 PASACABLE DIM.34X15/12 D.6,2	PASSA FILO DIM.34X15/12 D.6,2	1
1150	65311650	SCHRITTMOTOR STE4,5 Q3.51/6 3NM R SERVOMOTOR STE 4,5 BT3XX	SERVOMOTEUR STE 4,5 BT3XX SERVOMOTOR STE 4,5 BT3XX	SERVOMOTORE STE 4,5 BT3XX	1
1160	65300980	STELLANTRIEB STE 4,5 B037/6 R SERVOMOTOR STE 4,5 B037/6 R	SERVOMOTEUR STE 4,5 B037/6 R SERVOMOTOR STE 4,5 B037/6 R	SERVOMOTORE STE 4,5 B037/6 R	1
1161	65312327	HAUBE F. SCHRITTMOTOR KAP SERVOMOTOR	CAPOT SERVOMOTEUR CUBIERTA SERVOMOTOR	COPERCHIO SERVOMOTORE	1
1170	65311824	MOTOR 3,0KW 3000/MIN 400/690V AF IE2 MOTOR 3KW 400/690V D28 IE2	MOTEUR 3KW 400/690V D28 IE2 MOTOR 3KW 400/690V D28 IE2	MOTORE 3KW 400/690V D28 IE2	1
	65312556	MOTOR 4,0KW 400/690V D28 IE2 SCHWARZ MOTOR 4,0KW 400/690V D28 IE2 ZWART	MOTEUR 4,0KW 400/690V D28 IE2 NOIR MOTOR 4,0KW 400/690V D28 IE2 NEGRO	MOTORE 4,0KW 400/690V D28 IE2 NERO	1
	65312835	MOTOR 7,5KW 400/690V D38 IE3 AF GRAU MOTOR 7,5KW 400/690V D38 IE3 AF GRIJS	MOTEUR 7,5KW 400/690V D38 IE3 AF GRIS MOTOR 7,5KW 400/690V D38 IE3 AF GRIS	MOTORE 7,5KW 400/690V D38 IE3 AF GRIGIO	1
1200	65312328	LUFTKLAPPE BG COMPLETE LUCHTKLEP	VOLET D'AIR EQUIPE VÁLVULA DE AIRE EQUIPADA	SERRANDA DELL'ARIA EQUIPAGGIATA	1
1201	65312331	ANTRIEBHABEL/LUFTKLAPPE AANDRIJHENDDEL/LUCHTKLEP	LEVIER ENTRAINEMENT/VOLET AIR PALANCA DE ACCIONAMIENTO/VÁLVULA AIRE	LEVA AZIONAMENTO/SERRANDA DELL'ARIA	1
1202	65312330	WINKELGELENKSTANGE L.145 AANDRIJSTANG/LUCHTKLEP L.145	AXE BIELLETTE/VOLET AIR L.145 BIELA DE ACCIONAM./VÁLVULA DE AIRE L.145	PERNO BIELLA/SERRANDA DELL'ARIA L.145	1
1203	65312329	ANTRIEBSWELLE/LUKFTKLAPPE AANDRIJFAS/LUCHTKLEP	AXE ENTRAINEMENT/VOLET AIR EJE DE ACCIONAMIENTO/VÁLVULA DE AIRE	PERNO AZIONAMENTO/SERRANDA DELL'ARIA	1
1204	65312459	WELLE FÜR LUFTKLAPPE MIT ZEIGER AS LUCHTKLEP MET WIJZER	AXE VOLET AIR AVEC INDEX EJE VALVULA AIRE CON INDICADOR	ALBERO SERRANDA ARIA CON LANCETTA	1
1206	65310724	ZUENDKABEL ONTSTEKINGSKABEL	CABLE ALLUMAGE CABLE ENCENDIDO	CAVO ACCENSIONE	1
1510	65312340	BRENNERSCHRANKHAUBE KAP ELEKTRISCHE KAST	CAPOT ARMOIRE ELEC. CUBIERTA ARMARIO ELÉCTRICO	COPERCHIO ARMADIO ELETTRICO	1
1512	65312338	BLINDDECKEL/REGLER 92X45 IP54 AFSLUITER/REGELAAR 92X45 IP54	OBTURATEUR REGULATEUR 92X45 IP54 CONJUNTO/REGULADOR 92X45 IP54	OTTURATORE/REGOLATORE 92X45 IP54	1
1520	65300975	ANZEIGE FUR FEUERUNGSAUTOMAT BT3XX DISPLAY VOOR BRANDERAUTOMAAT BT3XX	AFFICHEUR POUR COFFRET BT3XX PANTALLA PARA PROGRAMADOR BT3XX	DISPLAY PER APPARECCHIATURA BT3XX	1
1525	65311364	DICHTUNG ELCOGRAM AFDICHTING/DISPLAY	JOINT/AFFICHEUR JUNTA/PANTALLA	GUARNIZIONE/DISPLAY	1

			DE	FR	IT	
			NL	ES		
1530	65312451	FEUERUNGSAUTOMAT BT320 G-E, G-EU3, G-EF3 BRANDERAUTOMAT BT320 G-E, G-EU3, G-EF3	COFFRET BT320 G-E, G-EU3, G-EF3 PROGRAMADOR BT320 G-E, G-EU3, G-EF3	APPARECCHIATURA BT320 G-E, G-EU3, G-EF3	1	
1580	65311776	MOTORSCHUTZSCHALTER 7,5kW GV2ME20 VERMOGENSCHAKEL. MOTOR 7,5 kW GV2ME20	DISJONCTEUR MOTEUR 7,5 kW GV2ME20 INTERRUPTOR MOTOR 7,5 kW GV2ME20	INTERRUTTORE MOTORE 7,5 kW GV2ME20	1	
	65311794	MOTORSCHUTZSCHALTER 3-4KW GV2ME14 VERMOGENSCHAKEL. MOTOR 3-4KW GV2ME14	DISJONCTEUR MOTEUR 3-4KW GV2ME14 INTERRUPTOR MOTOR 3-4KW GV2ME14	INTERRUTTORE MOTORE 3-4KW GV2ME14	1	
1585	65311795	HILFSSCHALTER GVAE11 HULPSCHAKELAAR GVAE11	CONTACT AUXILIAIRE GVAE11 INTERRUPTOR AUXILIAR GVAE11	INTERRUTTORE AUSILIARIO GVAE11	1	
1595	65311793	MOTORSCHUETZ SCH D 3-4KW LC1D09P7 CONTACT MOTOR SCH D 3-4KW LC1D09P7	CONTACTEUR MOTEUR SCH D 3-4KW LC1D09P7 CONTACTOR DE MOTOR SCH D 3-4KW LC1D09P7	CONTATTORE MOTORE SCH D 3-4KW LC1D09P7	1	
	65311947	MOTORSCHUETZ SCH D 3-7,5KW LC1D18P7 CONTACT MOTOR SCH D 3-7,5KW LC1D18P7	CONTACTEUR MOTEUR SCH D 3-7,5KW LC1D18P7 CONTACTOR MOTOR SCH D 3-7,5KW LC1D18P7	CONTATTORE MOTORE SCH D 3-7,5KW LC1D18P7	1	
1600	65312334	BRENNERSCHRANK KONTROLLEUCHE CONTROLELAMPJE ELEKTRISCHE KAST	VOYANT ARMOIRE ELECTRIQUE TESTIGO ARMARIO ELÉCTRICO	SPIA ARMADIO ELETTRICO	1	
1601	65312335	2-STELL. KIPPSCHALTER SCHAKELAAR 2 POS.	INTERRUPTEUR 2 POS. INTERRUPTOR 2 POS.	INTERRUTTORE 2 POS.	1	
1602	65312336	3-STELL. KIPPSCHALTER SCHAKELAAR 3 POS.	INTERRUPTEUR 3 POS. INTERRUPTOR 3 POS.	INTERRUTTORE 3 POS.	1	
1604	65312337	2-STELL. DRUCKSCHALTER MOMENTANE SCHAKELAAR 2 POS.	INTERRUPTEUR 2 POS. INSTANTANE INTERRUPTOR DE ACCIÓN INSTANTÁN. 2 POS.	INTERRUTTORE 2 POS. INSTANTANEA	1	
1605	65312341	BLINDDECKEL/BRENNERSCHRANKHAUBE AFSLUITER/KAP ELEKTRISCHE KAST	OBTURATEUR/ARMOIRE ELECTRIQUE CONJUNTO/CUBIERTA ARMARIO ELÉCTRICO	OTTURATORE/COPERCHIO ARMADIO ELETTR.	1	
1610	65311758	KABELVERSCHRAUBUNG M20 PAKKINGBUS M20	PRESSE-ETOUPE M20 PRENSAESTOPAS M20	PREMISTOPPA M20	1	
1611	65311451	KABELVERSCHRAUBUNG M16 PAKKINGBUS M16	PRESSE-ETOUPE M16 PRENSAESTOPAS M16	PREMISTOPPA M16	1	
1700	65311446	WAGO BETAETIGUNGSWERKZEUG 2009-309 BEDIENINGSGEREEDSCHAP 2009-309	OUTIL DE MANOEUVRE 2009-309 HERRAMIENTA D.ACCIONAM. 2009-309	DISPOSITIVO DI MANOVRA 2009-309	1	
2040	65311875	ZUENDELEKTRODE GAS ONTSTEKINGSPEN D9X50 D3X35 90+60°L150 d4	ELECTRODE ALLU.D9X50 D3X35 90+60°L150 d4 ELECTRODO ENC. D9X50 D3X35 90+60°L150 d4	ELETTRODO ACC.D9X50 D3X35 90+60° L150 d4	1	
2047	65312834	ZUENDELEKTRODE HALTER ONTSTEKINGSPEN STEUN	SUPPORT ELECTRODE ALLUMAGE SOPORTE ELECTRODO ENCENDIDO	SUPPORTO ELETTRODO ACCENSIONE	1	
2070	65313731	KABEL FZLSI 1X1,00Q-CU/SILIKON ONTSTEKINGSKAB.FZLSI 1X1,00Q-CU/SILICONE	CABLE ALLUMAGE FZLSI 1X1,00Q-CU/SILICONE CABLE ENCENDI. FZLSI 1X1,00Q-CU/SILICONA	CAVO ACCENSIO. FZLSI 1X1,00Q-CU/SILICONE	1	
2072	3333260384	ENTSTOERMUFFE HE1 1KOHM D10X52.5 ONTSTOORST.ONTSTEKINGSKAB.1KOHM D10X52.5	RESISTANCE ANTI PARASITE 1KOHM D10X52.5 RESIST.SUPR.INTERFERENCIA.1KOHM D10X52.5	RESISTORE ANTIRADIODIST. 1KOHM D10X52.5	1	
2100	65312824	FLAMMENROHR D262,5/220/171 L450 F3 BRANDERBUIS D262,5/220/171 L450 F3	TUBE DE FLAMME D262,5/220/171 L450 F3 TUBO DE LLAMA D262,5/220/171 L450 F3	BOCCAGLIO D262,5/220/171 L450 F3	1	
	65312825	FLAMMENROHR D262,5/220/171 L570 F3 BRANDERBUIS D262,5/220/171 L570 F3	TUBE DE FLAMME D262,5/220/171 L570 F3 TUBO DE LLAMA D262,5/220/171 L570 F3	BOCCAGLIO D262,5/220/171 L570 F3	1	
	65312826	FLAMMENROHR D262,5/220/171 L690 F3 BRANDERBUIS D262,5/220/171 L690 F3	TUBE DE FLAMME D262,5/220/171 L690 F3 TUBO DE LLAMA D262,5/220/171 L690 F3	BOCCAGLIO D262,5/220/171 L690 F3	1	
	65312827	FLAMMENROHR D323,5/240/191 L470 F3 BRANDERBUIS D323,5/240/191 L470 F3	TUBE DE FLAMME D323,5/240/191 L470 F3 TUBO DE LLAMA D323,5/240/191 L470 F3	BOCCAGLIO D323,5/240/191 L470 F3	1	
	65312828	FLAMMENROHR D323,5/240/191 L600 F3 BRANDERBUIS D323,5/240/191 L600 F3	TUBE DE FLAMME D323,5/240/191 L600 F3 TUBO DE LLAMA D323,5/240/191 L600 F3	BOCCAGLIO D323,5/240/191 L600 F3	1	
	65312829	FLAMMENROHR D323,5/240/191 L730 F3 BRANDERBUIS D323,5/240/191 L730 F3	TUBE DE FLAMME D323,5/240/191 L730 F3 TUBO DE LLAMA D323,5/240/191 L730 F3	BOCCAGLIO D323,5/240/191 L730 F3	1	
	65312830	FLAMMENROHR D323,5/268/215 L470 F3 BRANDERBUIS D323,5/268/215 L470 F3	TUBE DE FLAMME D323,5/268/215 L470 F3 TUBO DE LLAMA D323,5/268/215 L470 F3	BOCCAGLIO D323,5/268/215 L470 F3	1	
	65312831	FLAMMENROHR D323,5/268/215 L600 F3 BRANDERBUIS D323,5/268/215 L600 F3	TUBE DE FLAMME D323,5/268/215 L600 F3 TUBO DE LLAMA D323,5/268/215 L600 F3	BOCCAGLIO D323,5/268/215 L600 F3	1	
	65312832	FLAMMENROHR D323,5/268/215 L730 F3 BRANDERBUIS D323,5/268/215 L730 F3	TUBE DE FLAMME D323,5/268/215 L730 F3 TUBO DE LLAMA D323,5/268/215 L730 F3	BOCCAGLIO D323,5/268/215 L730 F3	1	
2105	65311455	DRALLKOERPER D190/170 F2-F3 WERVELKRANS D190/170 F2-F3	TURBULATEUR D190/170 F2-F3 TURBULENCIADOR D190/170 F2-F3	TURBULATORE D190/170 F2-F3	1	
	65311464	DRALLKOERPER D210/190 F2-F3 WERVELKRANS D210/190 F2-F3	TURBULATEUR D210/190 F2-F3 TURBULENCIADOR D210/190 F2-F3	TURBULATORE D210/190 F2-F3	1	
	65311543	DRALLKOERPER D240/214 F2-F3 WERVELKRANS D240/214 F2-F3	TURBULATEUR D240/214 F2-F3 TURBULENCIADOR D240/214 F2-F3	TURBULATORE D240/214 F2-F3	1	
2203	65311456	GASDUESE D18/16X70 135° GAS VERSPREIDER D18/16X70 135°	INJECTEUR GAZ D18/16X70 135° DIFUSOR DE GAS D18/16X70 135°	DIFFUSORE GAS D18/16X70 135°	1	
	65311465	GASDUESE D25/17X82 140° GAS VERSPREIDER D25/17X82 140°	INJECTEUR GAZ D25/17X82 140° DIFUSOR DE GAS D25/17X82 140°	DIFFUSORE GAS D25/17X82 140°	1	
	65311467	GASDUESE D25/20X95 135° GAS VERSPREIDER D25/20X95 135°	INJECTEUR GAZ D25/20X95 135° DIFUSOR DE GAS D25/20X95 135°	DIFFUSORE GAS D25/20X95 135°	1	
2204	65311466	STABILISIERUNGSDUESE D20/16 GELEIDER GAS VERSPREIDER D20/16	INJECTEUR STABILISATEUR GAZ D20/16 ESTABILIZADOR DIFUSOR DE GAS D20/16	DIFFUSORE STABILIZZATORE GAS D20/16	1	
	65311468	STABILISIERUNGSDUESE D20/17 GELEIDER GAS VERSPREIDER D20/17	INJECTEUR STABILISATEUR GAZ D20/17 ESTABILIZADOR DIFUSOR DE GAS D20/17	DIFFUSORE STABILIZZATORE GAS D20/17	1	
	65311470	STABILISIERUNGSDUESE D18/15 GELEIDER GAS VERSPREIDER D18/15	INJECTEUR STABILISATEUR GAZ D18/15 ESTABILIZADOR DIFUSOR DE GAS D18/15	DIFFUSORE STABILIZZATORE GAS D18/15	1	

		DE NL	FR ES	IT	X
2206	65311354	LUFTBLENDE/DRALLKOERPER D85/144 BEVESTIGINGSPLAT WERVELKRANS D85/144	REPARTITEUR AIR/TURBULATEUR D85/144 PLACA DE MONTAJE TURBULENCIADOR D85/144	RIPARTITORE ARIATURBULATORE D85/144	1
2207	65311493	GASKOPF MIT INNENELEKTR. LG800 GASTOEVOERBUIS LG800	TUBE AMENEE GAZ LG800 TUBO DE CONDUCCIÓN DEL GAS LG800	TUBO ADDUZIONE GAS LG800	1
	65311504	GASKOPF MIT INNENELEKTRODE LG560 GASTOEVOERBUIS LG560	TUBE AMENEE GAZ LG560 TUBO DE CONDUCCIÓN DEL GAS LG560	TUBO ADDUZIONE GAS LG560	1
	65311505	GASKOPF MIT INNENELEKTR. LG680 GASTOEVOERBUIS LG680	TUBE AMENEE GAZ LG680 TUBO DE CONDUCCIÓN DEL GAS LG680	TUBO ADDUZIONE GAS LG680	1
	65311519	GASKOPF LG590 GASTOEVOERBUIS LG590	TUBE AMENEE GAZ LG590 TUBO DE CONDUCCIÓN DEL GAS LG590	TUBO ADDUZIONE GAS LG590	1
	65311521	GASKOPF LG710 GASTOEVOERBUIS LG710	TUBE AMENEE GAZ LG710 TUBO DE CONDUCCIÓN DEL GAS LG710	TUBO ADDUZIONE GAS LG710	1
	65311523	GASKOPF LG830 GASTOEVOERBUIS LG830	TUBE AMENEE GAZ LG830 TUBO DE CONDUCCIÓN DEL GAS LG830	TUBO ADDUZIONE GAS LG830	1
2208	65311496	O-RING ID117,48x5,33 NBR70 O-RING ID117,48x5,33 NBR70	O-RING ID117,48x5,33 NBR70 O-RING ID117,48x5,33 NBR70	O-RING ID117,48x5,33 NBR70	1
	65311807	O-RING ID142,88x5,33 NBR70 O-RING ID142,88x5,33 NBR70	O-RING ID142,88x5,33 NBR70 O-RING ID142,88x5,33 NBR70	O-RING ID142,88x5,33 NBR70	1
2209	65311492	ADAPTERPLATTE FÜR GASKOPF ADAPTERPLAAT/GAS VERSTUIVEREENHEID	PLAQUE ADAPTATION/TETE GAZ PLACA DE ADAPTACIÓN/DIFUSOR DE GAS	PIASTRA DI ADATTAMENTO/TESTA GAS	1
	65311510	ADAPTERPLATTE FÜR GASKOPF ADAPTERPLAAT/GAS VERSTUIVEREENHEID	PLAQUE ADAPTATION/TETE GAZ PLACA DE ADAPTACIÓN/DIFUSOR DE GAS	PIASTRA DI ADATTAMENTO/TESTA GAS	1
2210	65311491	O-RING ID97,79x5,34 NBR70 O-RING ID97,79x5,34 NBR70	O-RING ID97,79x5,34 NBR70 O-RING ID97,79x5,34 NBR70	O-RING ID97,79x5,34 NBR70	1
2211	65312823	POSITIONIERUNGSPLATTE FÜR F3 GASKOPF PLAATSINGSSJABLOON GASKOP F3	PLAQUE DE POSITIONNEM. POUR TETE GAZ F3 PLACA DE POSICIONAMIENTO CABEZA GAS F3	PIASTRA DI POSIZIONAMENTO TESTA GAS F3	1
3005	65321049	DICHTUNG GASKLAPPE-GASTREC. D125/90X3 AFDICHTING GASAANSLUITBUIS D125/90X3	JOINT COLLECTEUR GAZ D125/90X3 JUNTA COLECTOR D125/90X3	GUARNIZIONE COLLETTORE D125/90X3	1
3010	65311488	GASANSCHLUSSST. DN65-R2Z 2G1/4 PN16 GASAANSLUITBUIS DN65-R2Z 2G1/4 PN16	COLLECTEUR DN65-R2Z 2G1/4 PN16 COLECTOR DN65-R2Z 2G1/4 PN16	COLLETTORE DN65-R2Z 2G1/4 PN16	1
	65311503	GASANSCHLUSSST. DN65-R1 1/2Z 2G1/4 PN16 GASAANSLUITBUIS DN65-R1 1/2Z 2G1/4 PN16	COLLECTEUR DN65-R1 1/2Z 2G1/4 PN16 COLECTOR DN65-R1 1/2Z 2G1/4 PN16	COLLETTORE DN65-R1 1/2Z 2G1/4 PN16	1
3020	65311606	GERADE-EINSCHRAUBVERSCHR.P-GEV 8LR-WD-VI RECHTE AANSLUITING P-GEV 8LR-WD-VI	RACCORD DROIT P-GEV 8LR-WD-VI RACOR RECTO P-GEV 8LR-WD-VI	RACCORDO DESTRO P-GEV 8LR-WD-VI	1
3030	65311604	EINSTELLB.W-VERSCHRAUBUNG P-EWV 8-L GEBOGEN AANSLUITING P-EWV 8-L	RACCORD COUDE P-EWV 8-L RACOR ACODADO P-EWV 8-L	RACCORDO A GOMITO P-EWV 8-L	1
3040	65311579	MESSNIPPEL R1/4Z M.DICHTUNG MEETNIPPEL R1/4Z+AFDICHTING	PRISE DE PRESSION R1/4Z+JOINT TOMA DE PRESIÓN R1/4Z+JUNTA	PRESA DI PRESSIONE R1/4Z+GUARNIZIONE	1
3060	65311580	GAS-MV VGD 20.4011 R1 1/2Z X 265 MM GASKLEP VGD20 4011 RP1"1/2	VANNE GAZ VGD20 4011 RP1"1/2 VALVULA GAS VGD20 4011 RP1"1/2	VALVOLA GAS VGD20 4011 RP1"1/2	1
	65311581	GAS-MV VGD 20.5011 R2Z X 265 MM GASKLEP VGD20 5011 RP2"	VANNE GAZ VGD20 5011 RP2" VALVULA GAS VGD20 5011 RP2"	VALVOLA GAS VGD20 5011 RP2"	1
3070	65107100	STELLANTRIEB SKP25.003E2 O. ENDSCHALTER REGELMOT. GAS SKP25.003E2 Z.EINDSCHALTE	SERVOMOT. GAZ SKP25.003E2 S.FIN COURSE SERVOMOTOR SKP25.003 E2 SIN FIN CARRERA	SERVOMOT. GAS SKP25.003E2 S.FINE CORSA	1
3080	65311585	ZWISCHENSTECKER AGA62.000A000 VERBINDINGSKABEL AGA62.000A000	CABLE DE LIAISON AGA62.000A000 CABLE AGA62.000A000	CAVO DI COLLEGAMENTO AGA62.000A000	1
3090	1478836180	STELLANTRIEB SKP 15.000E2 O. ENDSCHALTER REGELMOTOR GAS SKP15.000E2 Z.EINDSCHALTE	SERVOMOT.GAZ SKP15.000E2 SANS FIN COURSE SERVOMO. GAS SKP15.000E2 SIN FIN CARRERA	SERVOMOT.GAS SKP15.000E2 SENZ.FINE CORSA	1
3110	65311377	FLANSCH AGF10.50 RP2 FLENS AGF10.50 RP2	BRIDE AGF10.50 RP2 BRIDA AGF10.50 RP2	FLANGIA AGF10.50 RP2	1
	65313107	FLANSCH AGF10 RP1 1/2 MONTAGEFLENS AGF 10 40 RP1 1/2"	BRIDE AGF10 RP1 1/2 BRIDA AGF10 RP1 1/2	FLANGIA AGF10 RP1 1/2	1
3120	13010091	GASDRUCKWACHTER GW 500 A5 100-500MB GASDRUKSCHAKELAAR GW 500 A5 100-500MB	MANOSTAT GAZ GW 500 A5 100-500MB PRESOSTATO GAS GW 500 A5 100-500MB	PRESSOSTATO GAS GW 500 A5 100-500MB	1
	65311597	DRUCKWAECHTER GW 150 A6 M. STECKERANSCHL GASDRUKSCHAKELAAR GW 150 A6 10-150MB DIN	MANOSTAT GAZ GW 150 A6 10-150MB DIN PRESOSTATO GAS GW 150 A6 10-150MB DIN	PRESSOSTATO GAS GW 150 A6 10-150MB DIN	1
3130	65311586	LEITUNGSDOSE VENTILANTRIEB AGA64 STEKKER VROUWELIJK AGA64	PRISE FEMELLE AGA64 TOMA HEMBRA AGA64	PRESA FEMMINA AGA64	1
3140	65311615	GERAETESTECKDOSE GDMW 30-11 DF STEKKER GDMW 30-11 DF	PRISE GDMW 30-11 DF TOMA GDMW 30-11 DF	PRESA GDMW 30-11 DF	1
3300	65311458	GASFILTER GF80M-1212-A-1 RP1 1/2 1BAR GASFILTER GF80M-1212-A-1 RP1 1/2 1BAR	FILTRE GAZ GF80M-1212-A-1 RP1 1/2 1BAR FILTRO GAS GF80M-1212-A-1 RP1 1/2 1BAR	FILTRO GAS GF80M-1212-A-1 RP1 1/2 1BAR	1
	65311459	GASFILTER GF80M-1616-A-1 RP2 1BAR GASFILTER GF80M-1616-A-1 RP2 1BAR	FILTRE GAZ GF80M-1616-A-1 RP2 1BAR FILTRO GAS GF80M-1616-A-1 RP2 1BAR	FILTRO GAS GF80M-1616-A-1 RP2 1BAR	1
	65311460	GASFILTER GF65MF-2020-A-1 DN65 1BAR GASFILTER GF65MF-2020-A-1 DN65 1BAR	FILTRE GAZ GF65MF-2020-A-1 DN65 1BAR FILTRO GAS GF65MF-2020-A-1 DN65 1BAR	FILTRO GAS GF65MF-2020-A-1 DN65 1BAR	1
	65311461	GASFILTER GF80MF-2424-A-1 DN80 1BAR GASFILTER GF80MF-2424-A-1 DN80 1BAR	FILTRE GAZ GF80MF-2424-A-1 DN80 1BAR FILTRO GAS GF80MF-2424-A-1 DN80 1BAR	FILTRO GAS GF80MF-2424-A-1 DN80 1BAR	1
3301	65311361	ERSATZTEILSET F.GASFILTER GF 80M FILTERELEMENT GF 80M	ELEMENT FILTRANT GF 80M ELEMENTO FILTRANTE GF 80M	ELEMENTO FILTRANTE GF 80M	1
	65311723	ERSATZTEILSET F.GASFILTER GF 65MF FILTERELEMENT GF65MF	ELEMENT FILTRANT GF65MF ELEMENTO FILTRANTE GF65MF	ELEMENTO FILTRANTE GF65MF	1

		DE	FR	IT	
		NL	ES		
	65311888	ERSATZTEILSET F.GASFILTER GF 80MF FILTERELEMENT GF80MF	ELEMENT FILTRANT GF80MF ELEMENTO FILTRANTE GF80MF	ELEMENTO FILTRANTE GF80MF	1
3505	65321049	DICHTUNG GASKLAPPE-GASSTREC. D125/90X3 AFDICHTING GASAANSLUITBUIJS D125/90X3	JOINT COLLECTEUR GAZ D125/90X3 JUNTA COLECTOR D125/90X3	GUARNIZIONE COLLETTORE D125/90X3	1
3510	65311836	GASANSCHLUSSSTUECK DN65 RP1 1/2Z PN16 GASAANSLUITBUIJS DN65-R1 1/2Z PN16	COLLECTEUR DN65-R1 1/2Z PN16 COLECTOR DN65-R1 1/2Z PN16	COLLETTORE DN65-R1 1/2Z PN16	1
	65311837	GASANSCHLUSSSTUECK DN65 RP2Z PN16 GASAANSLUITBUIJS DN65-R2Z PN16	COLLECTEUR DN65-R2Z PN16 COLECTOR DN65-R2Z PN16	COLLETTORE DN65-R2Z PN16	1
3580	65311838	GASVENTIL MBC-300-SE S82 RP3/4" 5-80MBAR GASKLEP MBC300 SE S82 RP3/4" 5-80 MBAR	VANNE GAZ MBC300 SE S82 RP3/4" 5-80MBAR VALVULA GAS MBC300SE S82 RP3/4" 5-80MBA	VALVOLA GAS MBC300SE S82 RP3/4" 5-80MBA	1
	65311839	GAS-DOPPEL-MV MBC-700-SE S82 5-80 MBAR GASKLEP MBC700 SE S82 RP1"1/4 5-80 MBAR	VANNE GAZ MBC700 SE S82 RP1"1/4 5-80MBA VALVULA GAS MBC700SES82 RP1"1/4 5-80MBA	VALVOLA GAS MBC700SES82 RP1"1/4 5-80MBA	1
	65311840	GASVENTIL MBC-1200-SE S82 RP2Z 5-80MBAR GASKLEP MBC1200 SE S82 RP2" 5-80 MBAR	VANNE GAZ MBC1200 SE S82 RP2" 5-80 MBAR VALVULA GAS MBC1200 SE S82 RP2" 5-80MBA	VALVOLA GAS MBC1200 SE S82 RP2" 5-80MBA	1
3620	65311841	ANSCHLUSSFLANSCH MBC-300 RP1 1/2Z FLENS MBC300 RP1 1/2	BRIDE MBC300 RP1 1/2 BRIDA MBC300 RP1 1/2	FLANGIA MBC300 RP1 1/2	1
	65313021	FLANSCH ZU DMV-D R1 1/2Z O.MESSNIPPEL FLENS MBC700/1200 RP1 1/2	BRIDE MBC700/1200 RP1 1/2 BRIDA MBC700/1200 RP1 1/2	FLANGIA MBC700/1200 RP1 1/2	1
	65313022	FLANSCH ZU DMV-D R 2Z O.MESSNIPPEL FLENS MBC700/1200 RP2	BRIDE MBC700/1200 RP2 BRIDA MBC700/1200 RP2	FLANGIA MBC700/1200 RP2	1
3640	13010091	GASDRUCKWACHTER GW 500 A5 100-500MB GASDRUKSCHAKELAAR GW 500 A5 100-500MB	MANOSTAT GAZ GW 500 A5 100-500MB PRESOSTATO GAS GW 500 A5 100-500MB	PRESSOSTATO GAS GW 500 A5 100-500MB	1
	65311598	DRUCKWAECHTER GW 150 A5 M. STECKERANSCHL GASDRUKSCHAKELAAR GW 150 A5 30-150MB	MANOSTAT GAZ GW 150 A5 30-150MB PRESOSTATO GAS GW 150 A5 30-150MB	PRESSOSTATO GAS GW 150 A5 30-150MB	1
3650	65311615	GERAETESTECKDOSE GDMW 30-11 DF STEKKER GDMW 30-11 DF	PRISE GDMW 30-11 DF TOMA GDMW 30-11 DF	PRESA GDMW 30-11 DF	1
3700	13022415	FILTEREINSATZ F. GASVENTIL MBC300 ZEEFFILTER/GASKLEP MBC300	FILTRE TAMIS/VANNE GAZ MBC300 FILTRO DE TAMIZ/VÁLVULA DE GAS MBC300	SET FILTRI/VALVOLA GAS MBC300	1
	13022416	FILTEREINSATZ F.GASVENT.MBC-700 ZEEFFILTER/GASKLEP MBC700	FILTRE TAMIS/VANNE GAZ MBC700 FILTRO DE TAMIZ/VÁLVULA DE GAS MBC700	SET FILTRI/VALVOLA GAS MBC700	1
	13022417	FILTEREINSATZ F.GASVENT.MBC-1200 ZEEFFILTER/GASKLEP MBC1200	FILTRE TAMIS/VANNE GAZ MBC1200 FILTRO DE TAMIZ/VÁLVULA DE GAS MBC1200	SET FILTRI/VALVOLA GAS MBC1200	1
3800	65311458	GASFILTER GF80M-1212-A-1 RP1 1/2 1BAR GASFILTER GF80M-1212-A-1 RP1 1/2 1BAR	FILTRE GAZ GF80M-1212-A-1 RP1 1/2 1BAR FILTRO GAS GF80M-1212-A-1 RP1 1/2 1BAR	FILTRO GAS GF80M-1212-A-1 RP1 1/2 1BAR	1
	65311459	GASFILTER GF80M-1616-A-1 RP2 1BAR GASFILTER GF80M-1616-A-1 RP2 1BAR	FILTRE GAZ GF80M-1616-A-1 RP2 1BAR FILTRO GAS GF80M-1616-A-1 RP2 1BAR	FILTRO GAS GF80M-1616-A-1 RP2 1BAR	1
	65311460	GASFILTER GF65MF-2020-A-1 DN65 1BAR GASFILTER GF65MF-2020-A-1 DN65 1BAR	FILTRE GAZ GF65MF-2020-A-1 DN65 1BAR FILTRO GAS GF65MF-2020-A-1 DN65 1BAR	FILTRO GAS GF65MF-2020-A-1 DN65 1BAR	1
	65311461	GASFILTER GF80MF-2424-A-1 DN80 1BAR GASFILTER GF80MF-2424-A-1 DN80 1BAR	FILTRE GAZ GF80MF-2424-A-1 DN80 1BAR FILTRO GAS GF80MF-2424-A-1 DN80 1BAR	FILTRO GAS GF80MF-2424-A-1 DN80 1BAR	1
3801	65311361	ERSATZTEILSET F.GASFILTER GF 80M FILTERELEMENT GF 80M	ELEMENT FILTRANT GF 80M ELEMENTO FILTRANTE GF 80M	ELEMENTO FILTRANTE GF 80M	1
	65311723	ERSATZTEILSET F.GASFILTER GF 65MF FILTERELEMENT GF65MF	ELEMENT FILTRANT GF65MF ELEMENTO FILTRANTE GF65MF	ELEMENTO FILTRANTE GF65MF	1
	65311888	ERSATZTEILSET F.GASFILTER GF 80MF FILTERELEMENT GF80MF	ELEMENT FILTRANT GF80MF ELEMENTO FILTRANTE GF80MF	ELEMENTO FILTRANTE GF80MF	1
4005	65321049	DICHTUNG GASKLAPPE-GASSTREC. D125/90X3 AFDICHTING GASAANSLUITBUIJS D125/90X3	JOINT COLLECTEUR GAZ D125/90X3 JUNTA COLECTOR D125/90X3	GUARNIZIONE COLLETTORE D125/90X3	1
4010	65311494	GASANSCHLUSSST. DN65-DN80 PN16 GASAANSLUITBUIJS DN65-DN80 PN16	COLLECTEUR DN65-DN80 PN16 COLECTOR DN65-DN80 PN16	COLLETTORE DN65-DN80 PN16	1
	65311506	GASANSCHLUSSST. DN65-DN65 PN16 GASAANSLUITBUIJS DN65-DN65 PN16	COLLECTEUR DN65-DN65 PN16 COLECTOR DN65-DN65 PN16	COLLETTORE DN65-DN65 PN16	1
	65311508	GASANSCHLUSSST. DN65-DN100 PN16 GASAANSLUITBUIJS DN65-DN100 PN16	COLLECTEUR DN65-DN100 PN16 COLECTOR DN65-DN100 PN16	COLLETTORE DN65-DN100 PN16	1
	65311509	GASANSCHLUSSST. DN65-DN125 PN16 GASAANSLUITBUIJS DN65-DN125 PN16	COLLECTEUR DN65-DN125 PN16 COLECTOR DN65-DN125 PN16	COLLETTORE DN65-DN125 PN16	1
4020	65311601	GERADE-EINSCHRAUBSTUT.P-EGES 12L/R 1/4WD RECHTE AANSLUITING P-EGES 12L/R 1/4WD	RACCORD DROIT P-EGES 12L/R 1/4WD RACOR RECTO P-EGES 12L/R 1/4WD	RACCORDO DESTRO P-EGES 12L/R 1/4WD	1
4030	65311605	KREUZVERSCHR.P-KV12L AANSLUITING P-KV12L	RACCORD P-KV12L RACOR P-KV12L	RACCORDO P-KV12L	1
4040	65311603	EINSTELLBARE W-VERSCHR.P-EWS 12 L-SS GEBOGEN AANSLUITING P-EWS 12 L-SS	RACCORD COUDE P-EWS 12 L-SS RACOR ACODADO P-EWS 12 L-SS	RACCORDO A GOMITO P-EWS 12 L-SS	1
4060	65311607	VERSCHLUSSTOPFEN VSD 12L/S O.M.MB. STOP VSD 12L/S O.M.MB.	BOUCHON VSD 12L/S O.M.MB. TAPÓN VSD 12L/S O.M.MB.	TAPPO VSD 12L/S O.M.MB.	1
4080	65311453	GAS-MV VGD 40.125 DN125 PN16 X 400 MM GASKLEP VGD40 125 DN125	VANNE GAZ VGD40 125 DN125 VALVULA GAS VGD40 125 DN125	VALVOLA GAS VGD40 125 DN125	1
	65311583	GAS-MV VGD 40.080 DN80 X 310MM GASKLEP VGD40 080 DN80	VANNE GAZ VGD40 080 DN80 VALVULA GAS VGD40 080 DN80	VALVOLA GAS VGD40 080 DN80	1
	65311590	GAS-MV VGD 40.100 DN100 X 350 MM GASKLEP VGD40 100 DN100	VANNE GAZ VGD40 100 DN100 VALVULA GAS VGD40 100 DN100	VALVOLA GAS VGD40 100 DN100	1
	65323661	GAS-MV VGD 40.065 GASKLEP VGD40 065 DN65	VANNE GAZ VGD40 065 DN65 VÁLVULA GAS VGD40 065 DN65	VALVOLA GAS VGD40 065 DN65	1

		DE		FR		IT		
		NL		ES				
4090	65107100	STELLANTRIEB SKP25.003E2 O. ENDSCHALTER REGELMOT. GAS SKP25.003E2 Z.EINDSCHALTE		SERVOMOT. GAZ SKP25.003E2 S.FIN COURSE SERVOMOTOR SKP25.003 E2 SIN FIN CARRERA		SERVOMOT. GAS SKP25.003E2 S.FINE CORSA		1
4100	65311585	ZWISCHENSTECKER AGA62.000A000 VERBINDUNGSKABEL AGA62.000A000		CABLE DE LIAISON AGA62.000A000 CABLE AGA62.000A000		CAVO DI COLLEGAMENTO AGA62.000A000		1
4110	1478836180	STELLANTRIEB SKP 15.000E2 O. ENDSCHALTER REGELMOTOR GAS SKP15.000E2 Z.EINDSCHALTE		SERVOMOT.GAZ SKP15.000E2 SANS FIN COURSE SERVOMO. GAS SKP15.000E2 SIN FIN CARRERA		SERVOMOT.GAS SKP15.000E2 SENZ.FINE CORSA		1
4120	65311342	DICHTUNG DIN EN 1514-1 DN150 PN16 AFDICHTING DIN EN 1514-1 DN150 PN16		JOINT DIN EN 1514-1 DN150 PN16 JUNTA DIN EN 1514-1 DN150 PN16		GUARNIZIONE DIN EN 1514-1 DN150 PN16		1
	65311611	DICHTUNG DIN EN 1514-1 DN 65 / PN16 AFDICHTING DIN EN 1514-1 DN65/PN16		JOINT DIN EN 1514-1 DN65/PN16 JUNTA DIN EN 1514-1 DN65/PN16		GUARNIZIONE DIN EN 1514-1 DN65/PN16		1
	65311612	DICHTUNG DIN EN 1514-1DN 80 PN16 AFDICHTING DIN EN 1514-1DN 80 PN16		JOINT DIN EN 1514-1DN 80 PN16 JUNTA DIN EN 1514-1DN 80 PN16		GUARNIZIONE DIN EN 1514-1DN 80 PN16		1
	65311613	DICHTUNG DIN EN 1514-1 DN100 PN16 AFDICHTING DIN EN 1514-1 DN100 PN16		JOINT DIN EN 1514-1 DN100 PN16 JUNTA DIN EN 1514-1 DN100 PN16		GUARNIZIONE DIN EN 1514-1 DN100 PN16		1
	65311614	DICHTUNG DIN EN 1514-1 DN125 PN16 AFDICHTING DIN EN 1514-1 DN125 PN16		JOINT DIN EN 1514-1 DN125 PN16 JUNTA DIN EN 1514-1 DN125 PN16		GUARNIZIONE DIN EN 1514-1 DN125 PN16		1
4130	65311586	LEITUNGSDOSE VENTILANTRIEB AGA64 STEKKER VROUWELIJK AGA64		PRISE FEMELLE AGA64 TOMA HEMBRA AGA64		PRESA FEMMINA AGA64		1
4140	65311615	GERAETESTECKDOSE GDMW 30-11 DF STEKKER GDMW 30-11 DF		PRISE GDMW 30-11 DF TOMA GDMW 30-11 DF		PRESA GDMW 30-11 DF		1
4150	13010091	GASDRUCKWACHTER GW 500 A5 100-500MB GASDRUKSCHAKELAAR GW 500 A5 100-500MB		MANOSTAT GAZ GW 500 A5 100-500MB PRESOSTATO GAS GW 500 A5 100-500MB		PRESSOSTATO GAS GW 500 A5 100-500MB		1
	65311597	DRUCKWAECHTER GW 150 A6 M. STECKERANSCHL GASDRUKSCHAKELAAR GW 150 A6 10-150MB DIN		MANOSTAT GAZ GW 150 A6 10-150MB DIN PRESOSTATO GAS GW 150 A6 10-150MB DIN		PRESSOSTATO GAS GW 150 A6 10-150MB DIN		1
4300	65311460	GASFILTER GF65MF-2020-A-1 DN65 1BAR GASFILTER GF65MF-2020-A-1 DN65 1BAR		FILTRE GAZ GF65MF-2020-A-1 DN65 1BAR FILTRO GAS GF65MF-2020-A-1 DN65 1BAR		FILTRO GAS GF65MF-2020-A-1 DN65 1BAR		1
	65311461	GASFILTER GF80MF-2424-A-1 DN80 1BAR GASFILTER GF80MF-2424-A-1 DN80 1BAR		FILTRE GAZ GF80MF-2424-A-1 DN80 1BAR FILTRO GAS GF80MF-2424-A-1 DN80 1BAR		FILTRO GAS GF80MF-2424-A-1 DN80 1BAR		1
	65311462	GASFILTER GF100MF-3232-A-1 DN100 1BAR GASFILTER GF100MF-3232-A-1 DN100 1BAR		FILTRE GAZ GF100MF-3232-A-1 DN100 1BAR FILTRO GAS GF100MF-3232-A-1 DN100 1BAR		FILTRO GAS GF100MF-3232-A-1 DN100 1BAR		1
	65311463	GASFILTER GF125MF-4040-A-1 DN125 1BAR GASFILTER GF125MF-4040-A-1 DN125 1BAR		FILTRE GAZ GF125MF-4040-A-1 DN125 1BAR FILTRO GAS GF125MF-4040-A-1 DN125 1BAR		FILTRO GAS GF125MF-4040-A-1 DN125 1BAR		1
	65311892	GASFILTER GF150MF-4848-A-1 DN150 1BAR GASFILTER GF150MF-4848-A-1 DN150 1BAR		FILTRE GAZ GF150MF-4848-A-1 DN150 1BAR FILTRO GAS GF150MF-4848-A-1 DN150 1BAR		FILTRO GAS GF150MF-4848-A-1 DN150 1BAR		1
4301	65311623	ERSATZTEILSET F.GASFILTER GF150MF FILTERELEMENT GF150MF		ELEMENT FILTRANT GF150MF ELEMENTO FILTRANTE GF150MF		ELEMENTO FILTRANTE GF150MF		1
	65311723	ERSATZTEILSET F.GASFILTER GF 65MF FILTERELEMENT GF65MF		ELEMENT FILTRANT GF65MF ELEMENTO FILTRANTE GF65MF		ELEMENTO FILTRANTE GF65MF		1
	65311888	ERSATZTEILSET F.GASFILTER GF 80MF FILTERELEMENT GF80MF		ELEMENT FILTRANT GF80MF ELEMENTO FILTRANTE GF80MF		ELEMENTO FILTRANTE GF80MF		1
	65311889	ERSATZTEILSET F.GASFILTER GF100MF FILTERELEMENT GF100MF		ELEMENT FILTRANT GF100MF ELEMENTO FILTRANTE GF100MF		ELEMENTO FILTRANTE GF100MF		1
	65311890	ERSATZTEILSET F.GASFILTER GF125MF FILTERELEMENT GF125MF		ELEMENT FILTRANT GF125MF ELEMENTO FILTRANTE GF125MF		ELEMENTO FILTRANTE GF125MF		1
4505	65321049	DICHTUNG GASKLAPPE-GASSTREC. D125/90X3 AFDICHTING GASAANSLUITBUIJS D125/90X3		JOINT COLLECTEUR GAZ D125/90X3 JUNTA COLECTOR D125/90X3		GUARNIZIONE COLLETTORE D125/90X3		1
4510	65311494	GASANSCHLUSSST. DN65-DN80 PN16 GASAANSLUITBUIJS DN65-DN80 PN16		COLLECTEUR DN65-DN80 PN16 COLECTOR DN65-DN80 PN16		COLLETTORE DN65-DN80 PN16		1
	65311506	GASANSCHLUSSST. DN65-DN65 PN16 GASAANSLUITBUIJS DN65-DN65 PN16		COLLECTEUR DN65-DN65 PN16 COLECTOR DN65-DN65 PN16		COLLETTORE DN65-DN65 PN16		1
	65311508	GASANSCHLUSSST. DN65-DN100 PN16 GASAANSLUITBUIJS DN65-DN100 PN16		COLLECTEUR DN65-DN100 PN16 COLECTOR DN65-DN100 PN16		COLLETTORE DN65-DN100 PN16		1
4520	65311601	GERADE-EINSCHRAUBSTU.P-EGES 12L/R 1/4WD RECHTE AANSLUITING P-EGES 12L/R 1/4WD		RACCORD DROIT P-EGES 12L/R 1/4WD RACOR RECTO P-EGES 12L/R 1/4WD		RACCORDO DESTRO P-EGES 12L/R 1/4WD		1
4530	65311344	T-VERSCHRAUBUNG P-TV 12 L T-STUK P-TV 12 L		RACCORD EN T P-TV 12 L RACOR EN T P-TV 12 L		RACCORDO A T P-TV 12 L		1
4560	65311607	VERSCHLUSSTOPFEN VSD 12L/S O.M.MB. STOP VSD 12L/S O.M.MB.		BOUCHON VSD 12L/S O.M.MB. TAPÓN VSD 12L/S O.M.MB.		TAPPO VSD 12L/S O.M.MB.		1
4580	65311844	GASVENTIL MBC-1900-SE DN65 40-80MBAR GASKLEP MBC1900 SE DN65 40-80MBAR		VANNE GAZ MBC1900 SE DN65 40-80MBAR VALVULA GAS MBC1900SE DN65 40-80MBAR		VALVOLA GAS MBC1900 SE DN65 40-80MBAR		1
	65311845	GASVENTIL MBC-3100-SE DN80 40-80MBAR GASKLEP MBC3100 SE DN80 40-80 MBAR		VANNE GAZ MBC3100 SE DN80 40-80 MBAR VALVULA GAS MBC3100 SE DN80 40-80 MBAR		VALVOLA GAS MBC3100 SE DN80 40-80 MBAR		1
	65311846	GASVENTIL MBC-5000-SE DN100 40-80MBAR GASKLEP MBC5000 SE DN100 40-80 MBAR		VANNE GAZ MBC5000 SE DN100 40-80 MBAR VALVULA GAS MBC5000 SE DN100 40-80 MBAR		VALVOLA GAS MBC5000 SE DN100 40-80 MBAR		1
4620	65311342	DICHTUNG DIN EN 1514-1 DN150 PN16 AFDICHTING DIN EN 1514-1 DN150 PN16		JOINT DIN EN 1514-1 DN150 PN16 JUNTA DIN EN 1514-1 DN150 PN16		GUARNIZIONE DIN EN 1514-1 DN150 PN16		1
	65311611	DICHTUNG DIN EN 1514-1 DN 65 / PN16 AFDICHTING DIN EN 1514-1 DN65/PN16		JOINT DIN EN 1514-1 DN65/PN16 JUNTA DIN EN 1514-1 DN65/PN16		GUARNIZIONE DIN EN 1514-1 DN65/PN16		1
	65311612	DICHTUNG DIN EN 1514-1DN 80 PN16 AFDICHTING DIN EN 1514-1DN 80 PN16		JOINT DIN EN 1514-1DN 80 PN16 JUNTA DIN EN 1514-1DN 80 PN16		GUARNIZIONE DIN EN 1514-1DN 80 PN16		1
	65311613	DICHTUNG DIN EN 1514-1 DN100 PN16 AFDICHTING DIN EN 1514-1 DN100 PN16		JOINT DIN EN 1514-1 DN100 PN16 JUNTA DIN EN 1514-1 DN100 PN16		GUARNIZIONE DIN EN 1514-1 DN100 PN16		1

		DE		FR		IT		
		NL		ES				
	65311614	DICHTUNG DIN EN 1514-1 DN125 PN16 AFDICHTING DIN EN 1514-1 DN125 PN16		JOINT DIN EN 1514-1 DN125 PN16 JUNTA DIN EN 1514-1 DN125 PN16		GUARNIZIONE DIN EN 1514-1 DN125 PN16		1
4640	13010091	GASDRUCKWACHTER GW 500 A5 100-500MB GASDRUKSCHAKELAAR GW 500 A5 100-500MB		MANOSTAT GAZ GW 500 A5 100-500MB PRESOSTATO GAS GW 500 A5 100-500MB		PRESSOSTATO GAS GW 500 A5 100-500MB		1
	65311597	DRUCKWAECHTER GW 150 A6 M. STECKERANSCHL GASDRUKSCHAKELAAR GW 150 A6 10-150MB DIN		MANOSTAT GAZ GW 150 A6 10-150MB DIN PRESOSTATO GAS GW 150 A6 10-150MB DIN		PRESSOSTATO GAS GW 150 A6 10-150MB DIN		1
4650	65311615	GERAETESTECKDOSE GDMW 30-11 DF STEKKER GDMW 30-11 DF		PRISE GDMW 30-11 DF TOMA GDMW 30-11 DF		PRESA GDMW 30-11 DF		1
4800	65311460	GASFILTER GF65MF-2020-A-1 DN65 1BAR GASFILTER GF65MF-2020-A-1 DN65 1BAR		FILTRE GAZ GF65MF-2020-A-1 DN65 1BAR FILTRO GAS GF65MF-2020-A-1 DN65 1BAR		FILTRO GAS GF65MF-2020-A-1 DN65 1BAR		1
	65311461	GASFILTER GF80MF-2424-A-1 DN80 1BAR GASFILTER GF80MF-2424-A-1 DN80 1BAR		FILTRE GAZ GF80MF-2424-A-1 DN80 1BAR FILTRO GAS GF80MF-2424-A-1 DN80 1BAR		FILTRO GAS GF80MF-2424-A-1 DN80 1BAR		1
	65311462	GASFILTER GF100MF-3232-A-1 DN100 1BAR GASFILTER GF100MF-3232-A-1 DN100 1BAR		FILTRE GAZ GF100MF-3232-A-1 DN100 1BAR FILTRO GAS GF100MF-3232-A-1 DN100 1BAR		FILTRO GAS GF100MF-3232-A-1 DN100 1BAR		1
	65311463	GASFILTER GF125MF-4040-A-1 DN125 1BAR GASFILTER GF125MF-4040-A-1 DN125 1BAR		FILTRE GAZ GF125MF-4040-A-1 DN125 1BAR FILTRO GAS GF125MF-4040-A-1 DN125 1BAR		FILTRO GAS GF125MF-4040-A-1 DN125 1BAR		1
	65311892	GASFILTER GF150MF-4848-A-1 DN150 1BAR GASFILTER GF150MF-4848-A-1 DN150 1BAR		FILTRE GAZ GF150MF-4848-A-1 DN150 1BAR FILTRO GAS GF150MF-4848-A-1 DN150 1BAR		FILTRO GAS GF150MF-4848-A-1 DN150 1BAR		1
4801	65311623	ERSATZTEILSET F.GASFILTER GF150MF FILTERELEMENT GF150MF		ELEMENT FILTRANT GF150MF ELEMENTO FILTRANTE GF150MF		ELEMENTO FILTRANTE GF150MF		1
	65311723	ERSATZTEILSET F.GASFILTER GF 65MF FILTERELEMENT GF65MF		ELEMENT FILTRANT GF65MF ELEMENTO FILTRANTE GF65MF		ELEMENTO FILTRANTE GF65MF		1
	65311888	ERSATZTEILSET F.GASFILTER GF 80MF FILTERELEMENT GF80MF		ELEMENT FILTRANT GF80MF ELEMENTO FILTRANTE GF80MF		ELEMENTO FILTRANTE GF80MF		1
	65311889	ERSATZTEILSET F.GASFILTER GF100MF FILTERELEMENT GF100MF		ELEMENT FILTRANT GF100MF ELEMENTO FILTRANTE GF100MF		ELEMENTO FILTRANTE GF100MF		1
	65311890	ERSATZTEILSET F.GASFILTER GF125MF FILTERELEMENT GF125MF		ELEMENT FILTRANT GF125MF ELEMENTO FILTRANTE GF125MF		ELEMENTO FILTRANTE GF125MF		1
5002	65312445	FEUERUNGSAUT. BT320 BASISEINSTELL. BRANDERAUT. BT320 BASIS AFSTELLING		COFFRET BT320 REGLAGE DE BASE PROGRAMADOR BT320 CONFIGUR. BÁSICA		APPARECCH. BT320 REGOL. BASE		1
	65312446	FEUERUNGSAUT. BT330 BASISEINSTELL. BRANDERAUT. BT330 BASIS AFSTELLING		COFFRET BT330 REGLAGE DE BASE PROGRAMADOR BT330 CONFIGUR. BÁSICA		APPARECCH. BT330 REGOL. BASE		1
	65312448	FEUERUNGSAUT. BT320 SPEZIAL EINSTELL. BRANDERAUT. BT320 SPECIAL. AFSTELLING		COFFRET BT320 REGLAGE SPECIFIQUE PROGRAMADOR BT320 CONFIG. ESPECÍFICA		APPARECCH. BT320 REGOL. SPEZIAL.		1
	65312449	FEUERUNGSAUT. BT330 SPEZIAL EINSTELL. BRANDERAUT. BT330 SPECIAL. AFSTELLING		COFFRET BT330 REGLAGE SPECIFIQUE PROGRAMADOR BT330 CONFIG. ESPECÍFICA		APPARECCH. BT330 REGOL. SPEZIAL.		1
	65312452	FEUERUNGSAUT. BT320 G-E,EU3,EF3(FQZ.UM.) BRANDERAUT. BT320 G-E,EU3,EF3(+FQ.O.)		COFFRET BT320 G-E,EU3,EF3 (+REG.FRQ.) PROGRAMAD.BT320 G-E,EU3,EF3(+CONV.FRQ.)		APPARECCH. BT320 G-E,EU3,EF3 (+VARIAT.)		1
5010	65311362	PRUEFBRENNER M.DRUCKKNOPFHAHN PB2 PROEFBRANDER MET DRUKKNOP PB2		BRULEUR ESSAI AVEC B. POUSSOIR PB2 QUEMADOR DE PRUEBA CON PULSADOR PB2		BRUCIATORE DI PROVA CON PULSANTE PB2		1
5015	65311790	LCM100 (LSB-M 667R0500-1) LCM100-MODULE (LSB-M 667R0500-1)		MODULE LCM100 (LSB-M 667R0500-1) MÓDULO LCM100 (LSB-M 667R0500-1)		MODULO LCM100 (LSB-M 667R0500-1)		1
5020	65311918	VSM100 (LSB-M 667R0200-1) VSM100-MODULE (LSB-M 667R0200-1)		MODULE VSM100 (LSB-M 667R0200-1) MÓDULO VSM100 (LSB-M 667R0200-1)		MODULO VSM100 (LSB-M 667R0200-1)		1
5035	65312550	IND. NÄHERUNGSSCHALTER NAMUR NI5-G12-Y1 SENSOR NAMUR NI5-G12-Y1		CAPTEUR NAMUR NI5-G12-Y1 SENSOR NAMUR NI5-G12-Y1		SENSORE NAMUR NI5-G12-Y1		1
5200	65311948	MOTORSTARTER Y-D 3-7,5KW LC3D090AP7 MOTOR STARTER Y/D 7,5 KW LC3D090AP7		DEMARREUR MOT. ET./TRI.7,5KW LC3D090AP7 ARRANQUE MOTOR Y/D 7,5 KW LC3D090AP7		AVVIATORE STELLA/TRIA. 7,5 KW LC3D090AP7		1
5300	65114033	UNIVERSALREGLER RWF 55.50A9 REGELAAR RWF 55.50A9		REGULATEUR RWF 55.50A9 REGULADOR RWF 55.50A9		REGOLATORE RWF 55.50A9		1
5500	65312274	FLAMMENFUEHLER FFS08-UV1 659D31 - 5M FOTOCEL FFS08-UV1 659D31 - 5M W/O		CELLULE FFS08-UV1 659D31 - 5M W/O CELULA FFS08-UV1 659D31 - 5M W/O		CELLULA FFS08-UV1 659D31 - 5M W/O		1

					
1020	65312332	ЧЕХОЛ/ВОЗДУШНЫЙ БЛОК KAPAĞI/HAVA KUTUSU	TAMPA CAIXA DE AR	POKRYWA/OBUDOWA UKŁADU POWIETRZA	1
1030	65312333	ЗВУКОИЗОЛЯЦИЯ/ВОЗДУШНЫЙ БЛОК İZOLASYONU/HAVA KUTUSU	ISOLAMENTO SONORO/CAIXA DE AR	İZOLACJA/OBUDOWA UKŁADU POWIETRZA	1
1040	65311474	ВОЗДУШНЫЙ КОЖУХ HAVA KILAVUZU	GUIA AR	PRZEWODNIK POWIETRZA	1
	65311490	ВОЗДУШНЫЙ КОЖУХ HAVA KILAVUZU	GUIA AR	PRZEWODNIK POWIETRZA	1
1050	1180603227	БЕСЦВЕТ. ГЛАЗОК ДЛЯ КОНТРОЛЯ ПЛАМЕНИ RENKSİZ GÖZETLEME CAMI D55X21	VIGIA INCOLOR D55X21	WZIERNIK BEZBARWNA D55X21	1
1060	1188052260	ГЛАЗОК ДЛЯ КОНТРОЛЯ ПЛАМЕНИ КОРОБ KARAK/GÖZETLEME CAMI D55X61	TAMPA VIGIA D55X61	POKRYWA/WZIERNIK D55X61	1
1070	1180559591	ГАЙКА/ГЛАЗОК ДЛЯ КОНТРОЛЯ ПЛАМЕНИ SOMUN/GÖZETLEME CAMI M48X1,5 SW60	PARAFUSO VIGIA M48X1,5 SW60	NAKRĘTKA/WZIERNIK M48X1,5 SW60	1
1080	65311489	РАБОЧЕЕ КОЛЕСО D438/225X89 d28+PLATE D58 TÜRBİN D438/225X89 d28+PLATE D58/12	TURBINA D438/225X89 d28+PLATE D58/12	WIMIK D438/225X89 d28+PLATE D58/12	1
	65311500	РАБОЧЕЕ КОЛЕСО D415/225X84 d28+PLATE D58 TÜRBİN D415/225X84 d28+PLATE D58/12	TURBINA D415/225X84 d28+PLATE D58/12	WIMIK D415/225X84 d28+END PLATE D58/12	1
	65311822	РАБОЧЕЕ КОЛЕСО D485/252X102D38+PLATE D58 TÜRBİN D485/252X102 d38+PLATE D58/12	TURBINA D485/252X102 d38+PLATE D58/12	WIMIK D485/252X102 d38+PLATE D58/12	1
1090	65311471	ТРАНСФО РОЗЖИГА ЕБИ 1X11 230V ATEŞLEME TRAFO. EBI 1X11 230V	TRANSFO IGNIÇÃO EBI 1X11 230V	TRANSFO ZAPŁONOWY EBI 1X11 230V	1
1093	65313375	СТРЕМЯ ФОТОРЕЗИСТОР D22.5 RAR 7/QRA 2 ÜZENGI HÜCRE D22.5 İÇİN RAR 7/QRA 2	ESTRIBO CELULA D22.5 PARA RAR 7/QRA 2	STRZEMIE D22.5 FOTOKOMÓRKA RAR 7/QRA 2	1
1094	65312311	ДЕРЖАТЕЛЬ ФОТОРЕЗИСТОР DESTEĞİ HÜCRE	SUPORTE CELULA	WSPORNIK FOTOKOMÓRKA	1
1095	13019278	ФОТОРЕЗИСТОР QRA 2 HÜCRE QRA 2	CELULA QRA 2	FOTOKOMÓRKA QRA 2	1
1100	65311472	ЗЕРКАЛО/ГЛАЗОК ДЛЯ КОНТРОЛЯ ПЛАМЕНИ AYNA/GÖZETLEME CAMI	ESPELHO/VIGIA	LUSTRO/WZIERNIK	1
1110	65311595	РЕЛЕ ДАВ. ВОЗДУХА LGW 50 A2P 2,5-50MB HAVA BASINÇ ŞALT. LGW 50 A2P 2,5-50MB	PRESSOSTATO AR LGW 50 A2P 2,5-50MB	CZUJNIK CIŚ. POW. LGW 50 A2P 2,5-50MB	1
1120	65312321	ГАЗОВЫЙ КЛАПАН+СЕРВОДВИГАТЕЛЬ В СБОРЕ GAZ KLAPESI+KOMPLE SERVO MOTOR	VÁLVULA DE GÁS + ATUADOR COMPLETO	ZAWÓR GAZU+SERWOMOTOR KOMPLETNY	1
1121	65312322	ГАЗОВЫЙ КЛАПАН В СБОРЕ KOMPLE GAZ KLAPESI	VÁLVULA DE GÁS COMPLETA	ZAWÓR GAZU KOMPLETNY	1
1122	65312323	ГАЗОВЫЙ СЕРВОДВИГАТЕЛЬ СТА4.5 B037/6-R KOMPLE GAZ SERVOMOT. STA4.5 B037/6-R	ATUADOR GÁS COMPL. STA4.5 B037/6-R 0,8NM	SERWOMOT. GAZU EQ.STA4.5 B037/6-R 0,8NM	1
1123	65312458	МУФТА ПРОКЛАДКИ ПРОВ DIM.34X15/12 D.6,2 KABLO KANALI DIM.34X15/12 D.6,2	PASSA-CABOS DIM.34X15/12 D.6,2	PRZELOTKA PRZEWODU DIM.34X15/12 D.6,2	1
1150	65311650	СЕРВОДВИГАТЕЛЬ STE 4,5 BT3XX SERVOMOTOR STE 4,5 BT3XX	SERVOMOTOR STE 4,5 BT3XX	SERWOMOTOR STE 4,5 BT3XX	1
1160	65300980	СЕРВОДВИГАТЕЛЬ STE 4,5 B037/6 R SERVOMOTOR STE 4,5 B037/6 R	ATUADOR STE 4,5 B037/6 R	SERWOMOTOR STE 4,5 B037/6 R	1
1161	65312327	ЧЕХОЛ СЕРВОДВИГАТЕЛЬ SERVOMOTOR KAPAĞI	TAMPA DO ATUADOR	POKRYWA SERWOMOTOR	1
1170	65311824	ЭЛЕКТРОДВИГАТЕЛЬ 3KW 400/690V D28 IE2 MOTORU 3KW 400/690V D28 IE2	MOTOR 3KW 400/690V D28 IE2	SILNIK 3KW 400/690V D28 IE2	1
	65312556	ЭЛЕКТРОДВИГ 4,0KW 400/690V D28 IE2 ЧЕРН. MOTORU 4,0KW 400/690V D28 IE2 SIYAH	MOTOR 4,0KW 400/690V D28 IE2 PRETO	SILNIK 4,0KW 400/690V D28 IE2 CZERŃ	1
	65312835	ЭЛЕКТРОД.7,5KW 400/690V D38 IE3 AF СЕРЫЙ MOTORU 7,5KW 400/690V D38 IE3 AF GRI	MOTOR 7,5KW 400/690V D38 IE3 AF CINZENTO	SILNIK 7,5KW 400/690V D38 IE3 AF SZARY	1
1200	65312328	ВОЗДУШНАЯ ЗАСЛОНКА В СБОРЕ DONANIMLI HAVA KLAPESI	CONJUNTO ALETA DE AR	PRZEPUSTNICA POWIETRZA Z OSPRZĘTEM	1
1201	65312331	ПРИВОДНОЙ РЫЧАГ/ВОЗДУШНАЯ ЗАСЛОНКА SÜRÜCÜ KOLU/HAVA KLAPESI	ALAVANCA ACIONAMENTO ALETA DE AR	DŹWIGNIA NAPĘDU/PRZEPUSTNICA POWIE.	1
1202	65312330	ПРИВОДНОЙ ШАТ. МАЛОГО РАЗМ./ВОЗД L.145 PREŤ JAZDY/HAVA KLAPESI L.145	HASTE ELEVAÇÃO ALETA DE AR C.145	WAŁ/PRZEPUSTNICA POWIETRZA L.145	1
1203	65312329	ПРИВОДНОЙ ВАЛ/ВОЗДУШНАЯ ЗАСЛОНКА ŞAFT/HAVA KLAPESI	EIXO ACIONAMENTO ALETA DE AR	WAŁ/PRZEPUSTNICA POWIETRZA	1
1204	65312459	ОСЬ ЗАСЛОНКИ УКАЗАТЕЛЯ GÖSTERGE KLAPE AKSI	VEIO ALETA AR COM PONTEIRO	OS PRZEPUSTNICY WSKAZNIK	1
1206	65310724	КАБЕЛЬ РОЗЖИГА ATEŞLEME KABLOSU	CABO IGNIZACAO	PRZEWÓD ZAPŁONOWY	1
1510	65312340	ЧЕХОЛ ЭЛЕКТРОННОГО ШИТА ELEKTRİK MUHAFAZA KAPAĞI	TAMPA DO ARMÁRIO ELÉTRICO	POKRYWA URZĄDZEŃ ELEKTRYCZNYCH	1
1512	65312338	ЗАГЛУШКА/РЕГУЛЯТОР 92X45 IP54 OBTÜRATOER/REGÜLATÖR 92X45 IP54	TAMPA CEGA/CONTROLADOR 92X45 IP54	ZASŁEPKA/REGULATOR 92X45 IP54	1
1520	65300975	ДИСПЛЕЙ FOR БЛОК УПРАВЛЕНИЯ ВТ3XX EKRAN KUTU BT3XX	VISOR UNIDADE DE CONTROLE BT3XX	WYŚWIETLACZ MODUŁ BT3XX	1
1525	65311364	УПЛОТНИТЕЛЬНАЯ ПРОКЛАДКА/ДИСПЛЕЙ CONTA/EKRAN	JUNTA/VISOR	USZCZELKA/WYŚWIETLACZ	1

☞	XXXXXXXX	RU	PT	PL	X
		TR			
1530	65312451	БЛОК УПРАВЛЕНИЯ BT320 G-E, G-EU3, G-EF3 KUTU BT320 G-E, G-EU3, G-EF3	PROGRAMADOR BT320 G-E, G-EU3	MODUŁ BT320 G-E, G-EU3, G-EF3	1
1580	65311776	РАЗЪЕДИНИТ. ЭЛЕКТРОДВИГА. 7,5 kW GV2ME20 DEVRE KESİCİ MOTOR 7,5 kW GV2ME20	DISJUNTOR MOTOR 7,5 kW GV2ME20	WYŁĄCZNIKI SILNIK 7,5 kW GV2ME20	1
	65311794	РАЗЪЕДИНИТ. ЭЛЕКТРОДВИГА. 3-4KW GV2ME14 DEVRE KESİCİ MOTOR 3-4KW GV2ME14	DISJUNTOR MOTOR 3-4KW GV2ME14	WYŁĄCZNIKI SILNIK 3-4KW GV2ME14	1
1585	65311795	ВСПОМОГАТЕЛЬНЫЙ ПЕРЕКЛЮЧАТЕЛЬ GVAE11 YARDIMCI ANAHTARI GVAE11	INTERRUPTOR AUXILIAR GVAE11	PRZEŁĄCZNIK POMOCNICZY GVAE11	1
1595	65311793	ВЫКЛЮЧ. ЭЛЕКТРОДВ. SCH D 3-4KW LC1D09P7 KONTAKTOER MOTOR SCH D 3-4KW LC1D09P7	CONTATOR MOTOR SCH D 3-4KW LC1D09P7	STYCNIAK SILNIK SCH D 3-4KW LC1D09P7	1
	65311947	ВЫКЛЮЧА.ЭЛЕКТРОДВ. SCH D3-7,5KW LC1D18P7 KONTAKTOER MOT. SCH D 3-7,5KW LC1D18P7	CONTATOR MOTOR SCH D 3-7,5KW LC1D18P7	STYCNIAK SILNIK SCH D 3-7,5KW LC1D18P7	1
1600	65312334	СИГНАЛЬНАЯ ЛАМПА ЭЛЕКТРОННОГО ЩИТА İKAZ İŞİĞİ ELEKTRİK MUHAFAZA	LUZ INDICADORA DO ARMÁRIO ELÉTRICO	LAMPKA KONTROLNA URZĄDZEŃ ELEKTRY.	1
1601	65312335	ПЕРЕКЛЮЧАТЕЛЬ 2 ПОЗ. ANAHTARI İKİ POZİSYONLU	INTERRUPTOR 2 POS.	PRZEŁĄCZNIK 2 POZ.	1
1602	65312336	ПЕРЕКЛЮЧАТЕЛЬ 3 ПОЗ. ANAHTARI ÜÇ POZİSYONLU	INTERRUPTOR 3 POS.	PRZEŁĄCZNIK 3 POZ.	1
1604	65312337	ПЕРЕКЛЮЧАТЕЛЬ 2 ПОЗ. МОМЕНТ. СНИМОК ANAHTARI İKİ POZİSYONLU ANINDA	INTERRUPTOR MOMENTÂNEO 2 POS.	PRZEŁĄCZNIK 2 POZ. MIGAWKA	1
1605	65312341	ЗАГЛУШКА/ЧЕХОЛ ЭЛЕКТРОННОГО ЩИТА OBTURATOER/ELEKTR. MUHAFAZA KAPAĞI	TAMPA CEGA/TAMPA DO ARMÁRIO ELÉTRICO	ZASŁEPKA/POKRYWA URZĄDZEŃ ELEKTR.	1
1610	65311758	САЛБНИК M20 KABLO RAKORU M20	PRENSAESTOPAS M20	DŁAWNICA M20	1
1611	65311451	САЛБНИК M16 KABLO RAKORU M16	PRENSAESTOPAS M16	DŁAWNICA M16	1
1700	65311446	ИНСТРУМЕНТЫ 2009-309 İŞLETİM ARAC 2009-309	FERRAMENTA 2009-309	NARZĘD. D.PRZEŁĄCZANIA 2009-309	1
2040	65311875	ЭЛЕКТРОД ЗАЖИ. D9X50D3X35 90+60°L150D4 ATEŞLEYİCİ ELEKT.D9X50D3X35 90+60°L150D4	ELETRODO ENC. D9X50 D3X35 90+60°L150 d4	ELEKTRODA ALU. D9X50 D3X35 90+60°L150 d4	1
2047	65312834	ДЕРЖАТЕЛЬ ЭЛЕКТРОД ЗАЖИГАНИЯ DESTEĞİ ATEŞLEYİCİ ELEKTROD	SUPORTE ELETRODO ENCENDIDO	WSPORNIK ELEKTRODA ALU.	1
2070	65313731	КАБЕЛЬ РОЗЖИГА FZLSI 1X1,00Q-CU/СИЛИКОН. ATEŞLEME KABLO. FZLSI 1X1,00Q-CU/SILIKON	CABO IGNIZACAO FZLSI 1X1,00Q-CU/SILICONE	PRZEWÓD ZAPŁON. FZLSI 1X1,00Q-CU/SILIKON	1
2072	3333260384	РЕЗИСТОР ПОДАВЛЕНИЕ ПОМЕХ 1КОММ D10X52.5 REZİSTANS PARAZİT GİDERME 1KOHM D10X52.5	RESİST.SUPRESSÃO INTERFER.1KOHM D10X52.5	REZYSTOR TLUMIENIE ZAKŁÓC.1KOHM D10X52.5	1
2100	65312824	СОПЛО ГОРЕЛКИ D262,5/220/171 L450 F3 BRÜLÖR BORUSU D262,5/220/171 L450 F3	TUBO DO QUEIMADOR D262,5/220/171 L450 F3	RURA PALNIKA D262,5/220/171 L450 F3	1
	65312825	СОПЛО ГОРЕЛКИ D262,5/220/171 L570 F3 BRÜLÖR BORUSU D262,5/220/171 L570 F3	TUBO DO QUEIMADOR D262,5/220/171 L570 F3	RURA PALNIKA D262,5/220/171 L570 F3	1
	65312826	СОПЛО ГОРЕЛКИ D262,5/220/171 L690 F3 BRÜLÖR BORUSU D262,5/220/171 L690 F3	TUBO DO QUEIMADOR D262,5/220/171 L690 F3	RURA PALNIKA D262,5/220/171 L690 F3	1
	65312827	СОПЛО ГОРЕЛКИ D323,5/240/191 L470 F3 BRÜLÖR BORUSU D323,5/240/191 L470 F3	TUBO DO QUEIMADOR D323,5/240/191 L470 F3	RURA PALNIKA D323,5/240/191 L470 F3	1
	65312828	СОПЛО ГОРЕЛКИ D323,5/240/191 L600 F3 BRÜLÖR BORUSU D323,5/240/191 L600 F3	TUBO DO QUEIMADOR D323,5/240/191 L600 F3	RURA PALNIKA D323,5/240/191 L600 F3	1
	65312829	СОПЛО ГОРЕЛКИ D323,5/240/191 L730 F3 BRÜLÖR BORUSU D323,5/240/191 L730 F3	TUBO DO QUEIMADOR D323,5/240/191 L730 F3	RURA PALNIKA D323,5/240/191 L730 F3	1
	65312830	СОПЛО ГОРЕЛКИ D323,5/268/215 L470 F3 BRÜLÖR BORUSU D323,5/268/215 L470 F3	TUBO DO QUEIMADOR D323,5/268/215 L470 F3	RURA PALNIKA D323,5/268/215 L470 F3	1
	65312831	СОПЛО ГОРЕЛКИ D323,5/268/215 L600 F3 BRÜLÖR BORUSU D323,5/268/215 L600 F3	TUBO DO QUEIMADOR D323,5/268/215 L600 F3	RURA PALNIKA D323,5/268/215 L600 F3	1
	65312832	СОПЛО ГОРЕЛКИ D323,5/268/215 L730 F3 BRÜLÖR BORUSU D323,5/268/215 L730 F3	TUBO DO QUEIMADOR D323,5/268/215 L730 F3	RURA PALNIKA D323,5/268/215 L730 F3	1
2105	65311455	ЗАВИХРИТЕЛЬ D190/170 F2-F3 DOENER GOEVDE D190/170 F2-F3	TURBULATOR D190/170 F2-F3	ZAWIROWYWACZ D190/170 F2-F3	1
	65311464	ЗАВИХРИТЕЛЬ D210/190 F2-F3 DOENER GOEVDE D210/190 F2-F3	TURBULATOR D210/190 F2-F3	ZAWIROWYWACZ D210/190 F2-F3	1
	65311543	ЗАВИХРИТЕЛЬ D240/214 F2-F3 DOENER GOEVDE D240/214 F2-F3	TURBULATOR D240/214 F2-F3	ZAWIROWYWACZ D240/214 F2-F3	1
2203	65311456	ГАЗОВЫЕ ДИФФУЗОРЫ D18/16X70 135° GAZ DİFÜZÖERÜ D18/16X70 135°	BICO DE GÁS D18/16X70 135°	DYSZA GAZU D18/16X70 135°	1
	65311465	ГАЗОВЫЕ ДИФФУЗОРЫ D25/17X82 140° GAZ DİFÜZÖERÜ D25/17X82 140°	BICO DE GÁS D25/17X82 140°	DYSZA GAZU D25/17X82 140°	1
	65311467	ГАЗОВЫЕ ДИФФУЗОРЫ D25/20X95 135° GAZ DİFÜZÖERÜ D25/20X95 135°	BICO DE GÁS D25/20X95 135°	DYSZA GAZU D25/20X95 135°	1
2204	65311466	СТАБИЛИЗАТОР ГАЗОВЫЕ ДИФФУЗОРЫ D20/16 DENGELEYİCİ GAZ DİFÜZÖERÜ D20/16	ESTABILIZADOR BOCAL DE GAS D20/16	STABILIZATOR DYSZA GAZU D20/16	1
	65311468	СТАБИЛИЗАТОР ГАЗОВЫЕ ДИФФУЗОРЫ D20/17 DENGELEYİCİ GAZ DİFÜZÖERÜ D20/17	ESTABILIZADOR BOCAL DE GAS D20/17	STABILIZATOR DYSZA GAZU D20/17	1
	65311470	СТАБИЛИЗАТОР ГАЗОВЫЕ ДИФФУЗОРЫ D18/15 DENGELEYİCİ GAZ DİFÜZÖERÜ D18/15	ESTABILIZADOR BOCAL DE GAS D18/15	STABILIZATOR DYSZA GAZU D18/15	1

		RU TR	PT	PL	X
2206	65311354	ПЛАСТИНА КРЕПЛЕНИЯ ЗАВИХРИТЕЛЬ D85/144 MONTAJ PLAKASI DOENER GOEVDE D85/144	PLACA DE MONT.GERAD.TURBULÊNCIA D85/144	PLYTA MONTAŻOWA ZAWIROWYWACZ D85/144	1
2207	65311493	ТРУБКА ПОДВОДА ГАЗА LG800 GAZ GELİŞ BORUSU LG800	TUBO ENTRADA GAS LG800	PRZEWÓD DOPROWADZANIA GAZU LG800	1
	65311504	ТРУБКА ПОДВОДА ГАЗА LG560 GAZ GELİŞ BORUSU LG560	TUBO ENTRADA GAS LG560	PRZEWÓD DOPROWADZANIA GAZU LG560	1
	65311505	ТРУБКА ПОДВОДА ГАЗА LG680 GAZ GELİŞ BORUSU LG680	TUBO ENTRADA GAS LG680	PRZEWÓD DOPROWADZANIA GAZU LG680	1
	65311519	ТРУБКА ПОДВОДА ГАЗА LG590 GAZ GELİŞ BORUSU LG590	TUBO ENTRADA GAS LG590	PRZEWÓD DOPROWADZANIA GAZU LG590	1
	65311521	ТРУБКА ПОДВОДА ГАЗА LG710 GAZ GELİŞ BORUSU LG710	TUBO ENTRADA GAS LG710	PRZEWÓD DOPROWADZANIA GAZU LG710	1
	65311523	ТРУБКА ПОДВОДА ГАЗА LG830 GAZ GELİŞ BORUSU LG830	TUBO ENTRADA GAS LG830	PRZEWÓD DOPROWADZANIA GAZU LG830	1
2208	65311496	O-RING ID117,48x5,33 NBR70 O-RING ID117,48x5,33 NBR70	O-RING ID117,48x5,33 NBR70	O-RING ID117,48x5,33 NBR70	1
	65311807	O-RING ID142,88x5,33 NBR70 O-RING ID142,88x5,33 NBR70	O-RING ID142,88x5,33 NBR70	O-RING ID142,88x5,33 NBR70	1
2209	65311492	ПЛАСТИНА КРЕПЕЖНАЯ ПЛАСТИНА/ГАЗОВОГО ДИФ ADAPTÖR PLAKASI/GAZ DIFÜZOERÜ	PLACA ADAPTADORA/DIFUSOR DE GÁS	PLYTA ADAPTERA/DYSZY GAZU	1
	65311510	ПЛАСТИНА КРЕПЕЖНАЯ ПЛАСТИНА/ГАЗОВОГО ДИФ ADAPTÖR PLAKASI/GAZ DIFÜZOERÜ	PLACA ADAPTADORA/DIFUSOR DE GÁS	PLYTA ADAPTERA/DYSZY GAZU	1
2210	65311491	O-RING ID97,79X5,34 NBR70 O-RING ID97,79X5,34 NBR70	O-RING ID97,79X5,34 NBR70	O-RING ID97,79X5,34 NBR70	1
2211	65312823	ПОЗИЦИОНИРУ. ПЛАСТИНА ГОЛОВКА ГОРЕЛКИ F3 KONUMLANDIRMA PLAKASI KAFASI GAS F3	PLACA DE POSICIONAMENTO CABEÇA GAS F3	PLYTA POZYCJONOWANIE SZEF GAZU F3	1
3005	65321049	ПРОКЛАДКА КОЛЛЕКТОР D125/90X3 CONTA MANIFOLD D125/90X3	JUNTA COLETOR DE GÁS D125/90X3	USZCZELKA KOLEKTOR D125/90X3	1
3010	65311488	КОЛЛЕКТОР DN65-R2Z 2G1/4 PN16 MANIFOLD DN65-R2Z 2G1/4 PN16	COLETOR DN65-R2Z 2G1/4 PN16	KOLEKTOR DN65-R2Z 2G1/4 PN16	1
	65311503	КОЛЛЕКТОР DN65-R1 1/2Z 2G1/4 PN16 MANIFOLD DN65-R1 1/2Z 2G1/4 PN16	COLETOR DN65-R1 1/2Z 2G1/4 PN16	KOLEKTOR DN65-R1 1/2Z 2G1/4 PN16	1
3020	65311606	ПРЯМОЙ ШТУЦЕР P-GEV 8LR-WD-VI SAĞ RAKOR P-GEV 8LR-WD-VI	UNIÃO DIREITA P-GEV 8LR-WD-VI	ZŁĄCZE PRAWO P-GEV 8LR-WD-VI	1
3030	65311604	УГЛОВОЙ ШТУЦЕР P-EWV 8-L DIRSEKLI RAKOR P-EWV 8-L	UNIÃO COTOVELO P-EWV 8-L	ZŁĄCZKA TYPU KOLANKO P-EWV 8-L	1
3040	65311579	ШТУЦЕР ОТБОРА ДАВЛЕНИЯ R1/4Z+УПЛОТ. BASINÇ GIRIŞI R1/4Z+CONTA	TOMADA DE PRESSÃO R1/4Z+JUNTA	GNIĄZ. POMIARU CIŚNIEN. R1/4Z+USZCZEL	1
3060	65311580	ГАЗОВЫЙ КЛАПАН VGD20 4011 RP1"1/2 GAZ VANASI VGD20 4011 RP1"1/2	VALVULA GAS VGD20 4011 RP1"1/2	ZAWÓR GAZOWY VGD20 4011 RP1"1/2	1
	65311581	ГАЗОВЫЙ КЛАПАН VGD20 5011 RP2" GAZ VANASI VGD20 5011 RP2"	VALVULA GAS VGD20 5011 RP2"	ZAWÓR GAZOWY VGD20 5011 RP2"	1
3070	65107100	СЕРВОДВИГАТЕЛЬ SKP25.003 E2 БЕЗ КОНЦЕВЫ SERVOMOTOR SKP 25.003 E2 LIMIT ANAHTAR	SERVOMOT. GÁS SKP25.003 E2 SEM FIM CURSO	SERWOSILNIK SKP25.003E2 BEZ WYŁĄCZNIKI	1
3080	65311585	СОЕДИНИТЕЛЬНЫЙ КАБЕЛЬ AGA62.000A000 BAĞLANTI KABLOSU AGA62.000A000	CABO DE LIGAÇÃO AGA62.000A000	PRZEWÓD POŁĄCZENIOWY AGA62.000A000	1
3090	1478836180	СЕРВОДВИГАТЕЛЬ SKP15.000E2 БЕЗ КОНЦЕВЫ SERVOMOTOR SKP15.000E2 LIMIT ANAHTAR	SERVOMOTOR GAS SKP15.000E2 SEM FIM CURSA	SERWOSILNIK SKP15.000E2 BEZ WYŁĄCZNIKI	1
3110	65311377	ФЛАНЕЦ AGF10.50 RP2 FLANŞI AGF10.50 RP2	FLANGE AGF10.50 RP2	KOŁNIERZ AGF10.50 RP2	1
	65313107	ФЛАНЕЦ AGF10 RP1 1/2 FLANŞI AGF10 RP1 1/2	FLANGE AGF10 RP1 1/2	KOŁNIERZ AGF10 RP1 1/2	1
3120	13010091	РЕЛЕ ДАВ. ВОЗДУХА GW 500 A5 100-500MB GAZ BASINÇ ŞALT. GW 500 A5 100-500MB	PRESSOSTATO GAS GW 500 A5 100-500MB	CZUJNIK CIŚ. GAZU GW 500 A5 100-500MB	1
	65311597	РЕЛЕ ДАВ. ВОЗДУХА GW 150 A6 10-150MB DIN GAZ BASINÇ ŞALT. GW 150 A6 10-150MB DIN	PRESSOSTATO GÁS GW 150 A6 10-150MB DIN	CZUJNIK CIŚ. GAZU GW 150 A6 10-150MB DIN	1
3130	65311586	ГНЕЗДОВОЙ РАЗЪЕМ AGA64 DIŞI PRIZ AGA64	TOMADA FÊMEA AGA64	GNIĄZDO AGA64	1
3140	65311615	РАЗЪЕМ GDMW 30-11 DF PRIZ GDMW 30-11 DF	TOMADA GDMW 30-11 DF	GNIĄZDO GDMW 30-11 DF	1
3300	65311458	ГАЗОВ. ФИЛЬТР GF80M-1212-A-1 RP1 1/2 1BAR GAZ FILTR. GF80M-1212-A-1 RP1 1/2 1BAR	FILTRO GÁS GF80M-1212-A-1 RP1 1/2 1BAR	FILTR GAZU GF80M-1212-A-1 RP1 1/2 1BAR	1
	65311459	ГАЗОВЫЙ ФИЛЬТР GF80M-1616-A-1 RP2 1BAR GAZ FILTR. GF80M-1616-A-1 RP2 1BAR	FILTRO GÁS GF80M-1616-A-1 RP2 1BAR	FILTR GAZU GF80M-1616-A-1 RP2 1BAR	1
	65311460	ГАЗОВЫЙ ФИЛЬТР GF65MF-2020-A-1 DN65 1BAR GAZ FILTR. GF65MF-2020-A-1 DN65 1BAR	FILTRO GÁS GF65MF-2020-A-1 DN65 1BAR	FILTR GAZU GF65MF-2020-A-1 DN65 1BAR	1
	65311461	ГАЗОВЫЙ ФИЛЬТР GF80MF-2424-A-1 DN80 1BAR GAZ FILTR. GF80MF-2424-A-1 DN80 1BAR	FILTRO GÁS GF80MF-2424-A-1 DN80 1BAR	FILTR GAZU GF80MF-2424-A-1 DN80 1BAR	1
3301	65311361	ФИЛЬТРУЮЩИЙ ЭЛЕМЕНТ GF 80M FILTRE ELEMANI GF 80M	ELEMENTO FILTRANTE GF 80M	WKŁAD FILTRA GF 80M	1
	65311723	ФИЛЬТРУЮЩИЙ ЭЛЕМЕНТ GF65MF FILTRE ELEMANI GF65MF	ELEMENTO FILTRANTE GF65MF	WKŁAD FILTRA GF65MF	1

	☰	RU		PT		PL		X
		TR						
		65311888	ФИЛЬТРУЮЩИЙ ЭЛЕМЕНТ GF80MF FILTRE ELEMANI GF80MF	ELEMENTO FILTRANTE GF80MF	WKŁAD FILTRA GF80MF			1
3505		65321049	ПРОКЛАДКА КОЛЛЕКТОР D125/90X3 CONTA MANIFOLD D125/90X3	JUNTA COLETOR DE GÁS D125/90X3	USZCZELKA KOLEKTOR D125/90X3			1
3510		65311836	КОЛЛЕКТОР DN65-R1 1/2Z PN16 MANIFOLD DN65-R1 1/2Z PN16	COLETOR DN65-R1 1/2Z PN16	KOLEKTOR DN65-R1 1/2Z PN16			1
		65311837	КОЛЛЕКТОР DN65-R2Z PN16 MANIFOLD DN65-R2Z PN16	COLETOR DN65-R2Z PN16	KOLEKTOR DN65-R2Z PN16			1
3580		65311838	ГАЗОВЫЙ КЛ. MBC300SES82 RP3/4" 5-80MBAR GAZ VANA. MBC300 SE S82 RP3/4" 5-80MB	VÁLVULA GÁS MBC300 SE S82 RP3/4" 5-80MB	ZAWÓR GAZ. MBC300SES82 RP3/4" 5-80MB			1
		65311839	ГАЗОВЫЙ КЛА. MBC700SES82RP1"1/4 5-80MBA GAZ VANA. MBC700SES82 RP1"1/4 5-80MB	VÁLVULA GÁS MBC700SE S82 RP1"1/4 5-80MB	ZAWÓR GAZ. MBC700SES82RP1"1/4 5-80MB			1
		65311840	ГАЗОВЫЙ КЛАПАН MBC1200SES82RP2" 5-80MB GAZ VANA. MBC1200 SE S82 RP2" 5-80 MB	VÁLVULA GÁS MBC1200 SE S82 RP2" 5-80MBA	ZAWÓR GAZ. MBC1200SES82 RP2" 5-80MB			1
3620		65311841	ФЛАНЕЦ MBC300 RP1 1/2 FLANŞI MBC300 RP1 1/2	FLANGE MBC300 RP1 1/2	KOŁNIERZ MBC300 RP1 1/2			1
		65313021	ФЛАНЕЦ MBC700/1200 RP1 1/2 FLANŞI MBC700/1200 RP1 1/2	FLANGE MBC700/1200 RP1 1/2	KOŁNIERZ MBC700/1200 RP1 1/2			1
		65313022	ФЛАНЕЦ MBC700/1200 RP2 FLANŞI MBC700/1200 RP2	FLANGE MBC700/1200 RP2	KOŁNIERZ MBC700/1200 RP2			1
3640		13010091	РЕЛЕ ДАВ. ВОЗДУХА GW 500 A5 100-500MB GAZ BASINÇ ŞALT. GW 500 A5 100-500MB	PRESSOSTATO GAS GW 500 A5 100-500MB	CZUJNIK CIŚ. GAZU GW 500 A5 100-500MB			1
		65311598	РЕЛЕ ДАВ. ВОЗДУХА GW 150 A5 30-150MB GAZ BASINÇ ŞALT. GW 150 A5 30-150MB	PRESSOSTATO GAS GW 150 A5 30-150MB	CZUJNIK CIŚ. GAZU GW 150 A5 30-150MB			1
3650		65311615	РАЗЪЕМ GDMW 30-11 DF PRIZ GDMW 30-11 DF	TOMADA GDMW 30-11 DF	GNIAZDO GDMW 30-11 DF			1
3700		13022415	СЕТЧАТЫЙ ФИЛЬТР/ГАЗОВЫЙ КЛАПАН MBC300 FILTRE SÜZGECİ/GAZ VANASI MBC300	ELEMENTO FILTRANTE/VÁLVULA DE GÁS MBC300	FILTR SITOWY/ZAWÓR GAZOWY MBC300			1
		13022416	СЕТЧАТЫЙ ФИЛЬТР/ГАЗОВЫЙ КЛАПАН MBC700 FILTRE SÜZGECİ/GAZ VANASI MBC700	ELEMENTO FILTRANTE/VÁLVULA DE GÁS MBC700	FILTR SITOWY/ZAWÓR GAZOWY MBC700			1
		13022417	СЕТЧАТЫЙ ФИЛЬТР/ГАЗОВЫЙ КЛАП. MBC1200 FILTRE SÜZGECİ/GAZ VANASI MBC1200	ELEMENTO FILTRANTE/VÁLVULA GÁS MBC1200	FILTR SITOWY/ZAWÓR GAZOWY MBC1200			1
3800		65311458	ГАЗОВ. ФИЛЬТР GF80M-1212-A-1 RP1 1/2 1BAR GAZ FILTR. GF80M-1212-A-1 RP1 1/2 1BAR	FILTRO GÁS GF80M-1212-A-1 RP1 1/2 1BAR	FILTR GAZU GF80M-1212-A-1 RP1 1/2 1BAR			1
		65311459	ГАЗОВЫЙ ФИЛЬТР GF80M-1616-A-1 RP2 1BAR GAZ FILTR. GF80M-1616-A-1 RP2 1BAR	FILTRO GÁS GF80M-1616-A-1 RP2 1BAR	FILTR GAZU GF80M-1616-A-1 RP2 1BAR			1
		65311460	ГАЗОВЫЙ ФИЛЬТР GF65MF-2020-A-1 DN65 1BAR GAZ FILTR. GF65MF-2020-A-1 DN65 1BAR	FILTRO GÁS GF65MF-2020-A-1 DN65 1BAR	FILTR GAZU GF65MF-2020-A-1 DN65 1BAR			1
		65311461	ГАЗОВЫЙ ФИЛЬТР GF80MF-2424-A-1 DN80 1BAR GAZ FILTR. GF80MF-2424-A-1 DN80 1BAR	FILTRO GÁS GF80MF-2424-A-1 DN80 1BAR	FILTR GAZU GF80MF-2424-A-1 DN80 1BAR			1
3801		65311361	ФИЛЬТРУЮЩИЙ ЭЛЕМЕНТ GF 80M FILTRE ELEMANI GF 80M	ELEMENTO FILTRANTE GF 80M	WKŁAD FILTRA GF 80M			1
		65311723	ФИЛЬТРУЮЩИЙ ЭЛЕМЕНТ GF65MF FILTRE ELEMANI GF65MF	ELEMENTO FILTRANTE GF65MF	WKŁAD FILTRA GF65MF			1
		65311888	ФИЛЬТРУЮЩИЙ ЭЛЕМЕНТ GF80MF FILTRE ELEMANI GF80MF	ELEMENTO FILTRANTE GF80MF	WKŁAD FILTRA GF80MF			1
4005		65321049	ПРОКЛАДКА КОЛЛЕКТОР D125/90X3 CONTA MANIFOLD D125/90X3	JUNTA COLETOR DE GÁS D125/90X3	USZCZELKA KOLEKTOR D125/90X3			1
4010		65311494	КОЛЛЕКТОР DN65-DN80 PN16 MANIFOLD DN65-DN80 PN16	COLETOR DN65-DN80 PN16	KOLEKTOR KDN65-DN80 PN16			1
		65311506	КОЛЛЕКТОР DN65-DN65 PN16 MANIFOLD DN65-DN65 PN16	COLETOR DN65-DN65 PN16	KOLEKTOR DN65-DN65 PN16			1
		65311508	КОЛЛЕКТОР DN65-DN100 PN16 MANIFOLD DN65-DN100 PN16	COLETOR DN65-DN100 PN16	KOLEKTOR DN65-DN100 PN16			1
		65311509	КОЛЛЕКТОР DN65-DN125 PN16 MANIFOLD DN65-DN125 PN16	COLETOR DN65-DN125 PN16	KOLEKTOR DN65-DN125 PN16			1
4020		65311601	ПРЯМОЙ ШТУЦЕР P-EGES 12L/R 1/4WD SAĞ RAKOR P-EGES 12L/R 1/4WD	CONEXÃO DIREITA P-EGES 12L/R 1/4WD	ZŁĄCZE PRAWIE P-EGES 12L/R 1/4WD			1
4030		65311605	ШТУЦЕР P-KV12L RAKOR P-KV12L	CONEXÃO P-KV12L	ZŁĄCZE P-KV12L			1
4040		65311603	УГЛОВОЙ ШТУЦЕР P-EWS 12 L-SS DİRSEKLI RAKOR P-EWS 12 L-SS	UNIÃO COTOVELO P-EWS 12 L-SS	ZŁĄCZKA TYPU KOLANKO P-EWS 12 L-SS			1
4060		65311607	КРЫШКА VSD 12L/S O.M.MB. TAPA VSD 12L/S O.M.MB.	TAMPA VSD 12L/S O.M.MB.	NAKRĘTKA VSD 12L/S O.M.MB.			1
4080		65311453	ГАЗОВЫЙ КЛАПАН VGD40 125 DN125 GAZ VANASI VGD40 125 DN125	VALVULA GAS VGD40 125 DN125	ZAWÓR GAZOWY VGD40 125 DN125			1
		65311583	ГАЗОВЫЙ КЛАПАН VGD40 080 DN80 GAZ VANASI VGD40 080 DN80	VALVULA GAS VGD40 080 DN80	ZAWÓR GAZOWY VGD40 080 DN80			1
		65311590	ГАЗОВЫЙ КЛАПАН VGD40 100 DN100 GAZ VANASI VGD40 100 DN100	VALVULA GAS VGD40 100 DN100	ZAWÓR GAZOWY VGD40 100 DN100			1
		65323661	ГАЗОВЫЙ КЛАПАН VGD40 065 DN65 GAZ VANASI VGD40 065 DN65	VÁLVULA GÁS VGD40 065 DN65	ZAWÓR GAZOWY VGD40 065 DN65			1

					
4090	65107100	СЕРВОДВИГАТЕЛЬ SKP25.003 E2 БЕЗ КОНЦЕВЫ SERVOMOTOR SKP 25.003 E2 LIMIT ANAHTAR	SERVOMOT. GÁS SKP25.003 E2 SEM FIM CURSO	SERWOSILNIK SKP25.003E2 BEZ WYŁĄCZNIKI	1
4100	65311585	СОЕДИНИТЕЛЬНЫЙ КАБЕЛЬ AGA62.000A000 BAĞLANTI KABLOSU AGA62.000A000	CABO DE LIGAÇÃO AGA62.000A000	PRZEWÓD POŁĄCZENIOWY AGA62.000A000	1
4110	1478836180	СЕРВОДВИГАТЕЛЬ SKP15.000E2 БЕЗ КОНЦЕВЫ SERVOMOTOR SKP15.000E2 LIMIT ANAHTAR	SERVOMOTOR GAS SKP15.000E2 SEM FIM CURSA	SERWOSILNIK SKP15.000E2 BEZ WYŁĄCZNIKI	1
4120	65311342	УПЛОТНИТ. ПРОКЛАДКА DIN EN 1514-1 DN150 CONTA DIN EN 1514-1 DN150 PN16	JUNTA DIN EN 1514-1 DN150 PN16	USZCZELKA DIN EN 1514-1 DN150 PN16	1
	65311611	УПЛОТНИТ. ПРОКЛАДКА DIN EN 1514-1 DN65 CONTA DIN EN 1514-1 DN65/PN16	JUNTA DIN EN 1514-1 DN65/PN16	USZCZELKA DIN EN 1514-1 DN65/PN16	1
	65311612	УПЛОТНИТ. ПРОКЛАДКА DIN EN 1514-1 DN80 CONTA DIN EN 1514-1DN 80 PN16	JUNTA DIN EN 1514-1DN 80 PN16	USZCZELKA DIN EN 1514-1DN 80 PN16	1
	65311613	УПЛОТНИТ. ПРОКЛАДКА DIN EN 1514-1 DN100 CONTA DIN EN 1514-1 DN100 PN16	JUNTA DIN EN 1514-1 DN100 PN16	USZCZELKA DIN EN 1514-1 DN100 PN16	1
	65311614	УПЛОТНИТ. ПРОКЛАДКА DIN EN 1514-1 DN125 CONTA DIN EN 1514-1 DN125 PN16	JUNTA DIN EN 1514-1 DN125 PN16	USZCZELKA DIN EN 1514-1 DN125 PN16	1
4130	65311586	ГНЕЗДОВОЙ РАЗЪЕМ AGA64 DIŞI PRIZ AGA64	TOMADA FÊMEA AGA64	GNIAZDO AGA64	1
4140	65311615	РАЗЪЕМ GDMW 30-11 DF PRIZ GDMW 30-11 DF	TOMADA GDMW 30-11 DF	GNIAZDO GDMW 30-11 DF	1
4150	13010091	РЕЛЕ ДАВ. ВОЗДУХА GW 500 A5 100-500MB GAZ BASINÇ ŞALT. GW 500 A5 100-500MB	PRESSOSTATO GAS GW 500 A5 100-500MB	CZUJNIK CIŚ. GAZU GW 500 A5 100-500MB	1
	65311597	РЕЛЕ ДАВ. ВОЗДУХА GW 150 A6 10-150MB DIN GAZ BASINÇ ŞALT. GW 150 A6 10-150MB DIN	PRESSOSTATO GÁS GW 150 A6 10-150MB DIN	CZUJNIK CIŚ. GAZU GW 150 A6 10-150MB DIN	1
4300	65311460	ГАЗОВЫЙ ФИЛЬТР GF65MF-2020-A-1 DN65 1BAR GAZ FILTR. GF65MF-2020-A-1 DN65 1BAR	FILTRO GÁS GF65MF-2020-A-1 DN65 1BAR	FILTR GAZU GF65MF-2020-A-1 DN65 1BAR	1
	65311461	ГАЗОВЫЙ ФИЛЬТР GF80MF-2424-A-1 DN80 1BAR GAZ FILTR. GF80MF-2424-A-1 DN80 1BAR	FILTRO GÁS GF80MF-2424-A-1 DN80 1BAR	FILTR GAZU GF80MF-2424-A-1 DN80 1BAR	1
	65311462	ГАЗОВЫЙ ФИЛЬТР GF100MF-3232-A-1 DN100 1B GAZ FILTR. GF100MF-3232-A-1 DN100 1BAR	FILTRO GÁS GF100MF-3232-A-1 DN100 1BAR	FILTR GAZU GF100MF-3232-A-1 DN100 1BAR	1
	65311463	ГАЗОВЫЙ ФИЛЬТР GF125MF-4040-A-1 DN125 1B GAZ FILTR. GF125MF-4040-A-1 DN125 1BAR	FILTRO GÁS GF125MF-4040-A-1 DN125 1BAR	FILTR GAZU GF125MF-4040-A-1 DN125 1BAR	1
	65311892	ГАЗОВЫЙ ФИЛЬТР GF150MF-4848-A-1 DN150 1B GAZ FILTR. GF150MF-4848-A-1 DN150 1BAR	FILTRO GÁS GF150MF-4848-A-1 DN150 1BAR	FILTR GAZU GF150MF-4848-A-1 DN150 1BAR	1
4301	65311623	ФИЛЬТРУЮЩИЙ ЭЛЕМЕНТ GF150MF FILTRE ELEMANI GF150MF	ELEMENTO FILTRANTE GF150MF	WKŁAD FILTRA GF150MF	1
	65311723	ФИЛЬТРУЮЩИЙ ЭЛЕМЕНТ GF65MF FILTRE ELEMANI GF65MF	ELEMENTO FILTRANTE GF65MF	WKŁAD FILTRA GF65MF	1
	65311888	ФИЛЬТРУЮЩИЙ ЭЛЕМЕНТ GF80MF FILTRE ELEMANI GF80MF	ELEMENTO FILTRANTE GF80MF	WKŁAD FILTRA GF80MF	1
	65311889	ФИЛЬТРУЮЩИЙ ЭЛЕМЕНТ GF100MF FILTRE ELEMANI GF100MF	ELEMENTO FILTRANTE GF100MF	WKŁAD FILTRA GF100MF	1
	65311890	ФИЛЬТРУЮЩИЙ ЭЛЕМЕНТ GF125MF FILTRE ELEMANI GF125MF	ELEMENTO FILTRANTE GF125MF	WKŁAD FILTRA GF125MF	1
4505	65321049	ПРОКЛАДКА КОЛЛЕКТОР D125/90X3 CONTA MANIFOLD D125/90X3	JUNTA COLETOR DE GÁS D125/90X3	USZCZELKA KOLEKTOR D125/90X3	1
4510	65311494	КОЛЛЕКТОР DN65-DN80 PN16 MANIFOLD DN65-DN80 PN16	COLETOR DN65-DN80 PN16	KOLEKTOR KDN65-DN80 PN16	1
	65311506	КОЛЛЕКТОР DN65-DN65 PN16 MANIFOLD DN65-DN65 PN16	COLETOR DN65-DN65 PN16	KOLEKTOR DN65-DN65 PN16	1
	65311508	КОЛЛЕКТОР DN65-DN100 PN16 MANIFOLD DN65-DN100 PN16	COLETOR DN65-DN100 PN16	KOLEKTOR DN65-DN100 PN16	1
4520	65311601	ПРЯМОЙ ШТУЦЕР P-EGES 12L/R 1/4WD SAĞ RAKOR P-EGES 12L/R 1/4WD	CONEXÃO DIREITA P-EGES 12L/R 1/4WD	ZŁĄCZE PRAWO P-EGES 12L/R 1/4WD	1
4530	65311344	Т-ШТУЦЕР P-TV 12 L T-RAKOR P-TV 12 L	CONEXÃO EM T P-TV 12 L	T-ZŁĄCZKA P-TV 12 L	1
4560	65311607	КРЫШКА VSD 12L/S O.M.MB. TAPA VSD 12L/S O.M.MB.	TAMPA VSD 12L/S O.M.MB.	NAKRĘTKA VSD 12L/S O.M.MB.	1
4580	65311844	ГАЗОВЫЙ КЛАПАН MBC1900SEDN65 40-80MBAR GAZ VANASI MBC1900SE DN65 40-80 MBAR	VÁLVULA GÁS MBC1900SE DN65 40-80MBAR	ZAWÓR GAZ. MBC1900SE DN65 40-80 MBAR	1
	65311845	ГАЗОВЫЙ КЛАПАН MBC3100SE DN80 40-80MBAR GAZ VANASI MBC3100SE DN80 40-80 MBAR	VÁLVULA GÁS MBC3100 SE DN80 40-80 MBAR	ZAWÓR GAZ. MBC3100SE DN80 40-80 MBAR	1
	65311846	ГАЗОВЫЙ КЛАПАН MBC5000SE DN100 40-80MB GAZ VANASI MBC5000 SE DN100 40-80 MB	VÁLVULA GÁS MBC5000 SE DN100 40-80 MBAR	ZAWÓR GAZ.MBC5000SE DN100 40-80MBAR	1
4620	65311342	УПЛОТНИТ. ПРОКЛАДКА DIN EN 1514-1 DN150 CONTA DIN EN 1514-1 DN150 PN16	JUNTA DIN EN 1514-1 DN150 PN16	USZCZELKA DIN EN 1514-1 DN150 PN16	1
	65311611	УПЛОТНИТ. ПРОКЛАДКА DIN EN 1514-1 DN65 CONTA DIN EN 1514-1 DN65/PN16	JUNTA DIN EN 1514-1 DN65/PN16	USZCZELKA DIN EN 1514-1 DN65/PN16	1
	65311612	УПЛОТНИТ. ПРОКЛАДКА DIN EN 1514-1 DN80 CONTA DIN EN 1514-1DN 80 PN16	JUNTA DIN EN 1514-1DN 80 PN16	USZCZELKA DIN EN 1514-1DN 80 PN16	1
	65311613	УПЛОТНИТ. ПРОКЛАДКА DIN EN 1514-1 DN100 CONTA DIN EN 1514-1 DN100 PN16	JUNTA DIN EN 1514-1 DN100 PN16	USZCZELKA DIN EN 1514-1 DN100 PN16	1

