

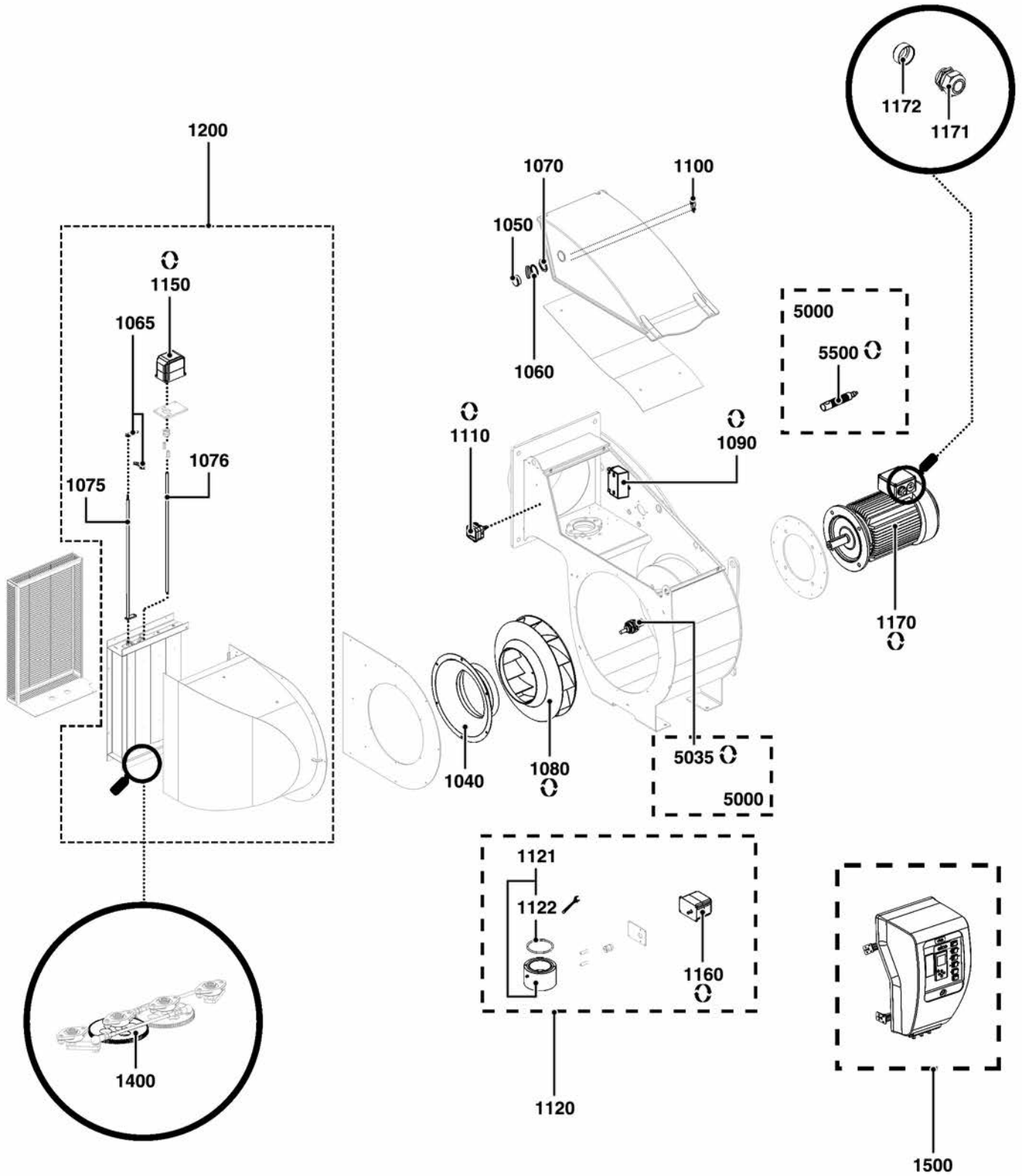
## SPARE PARTS EXPLODED VIEW GAS BURNERS

Model

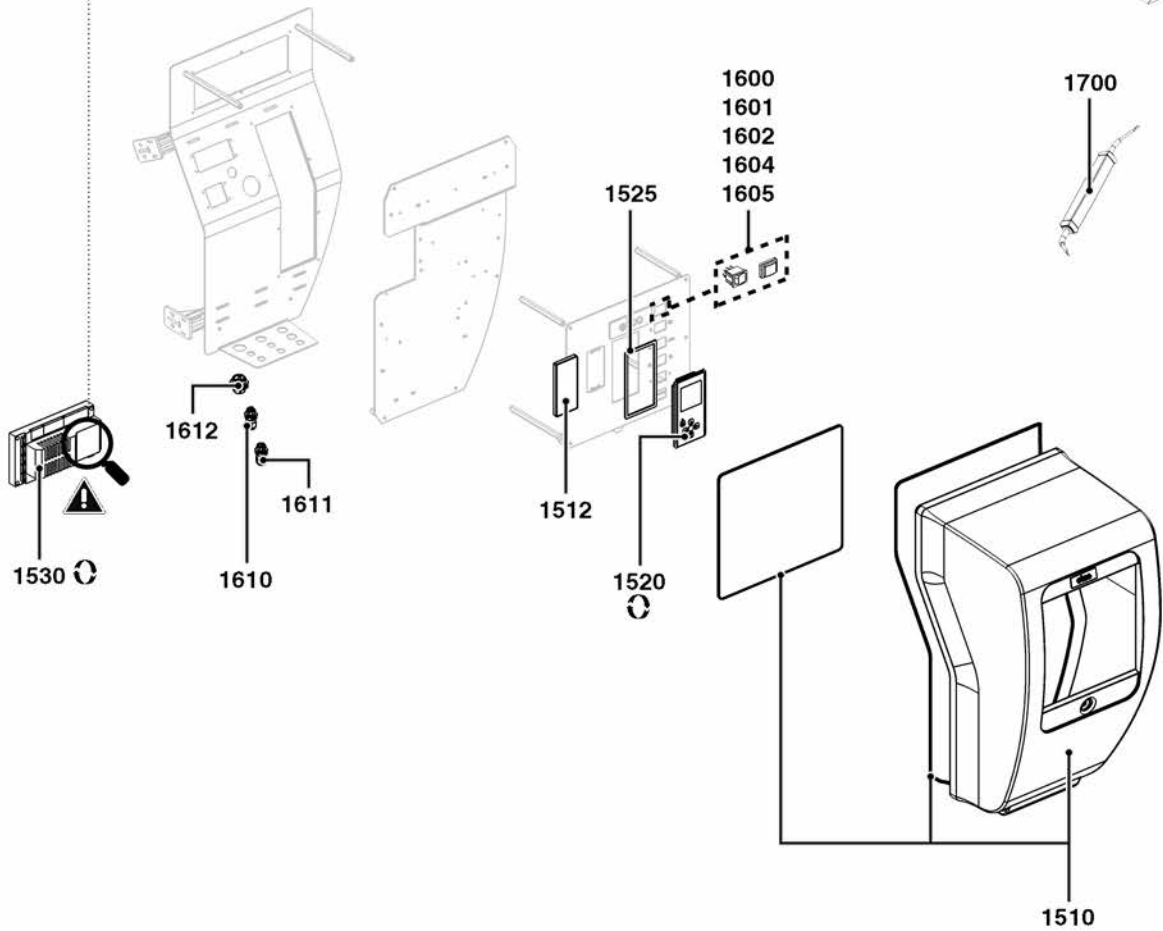
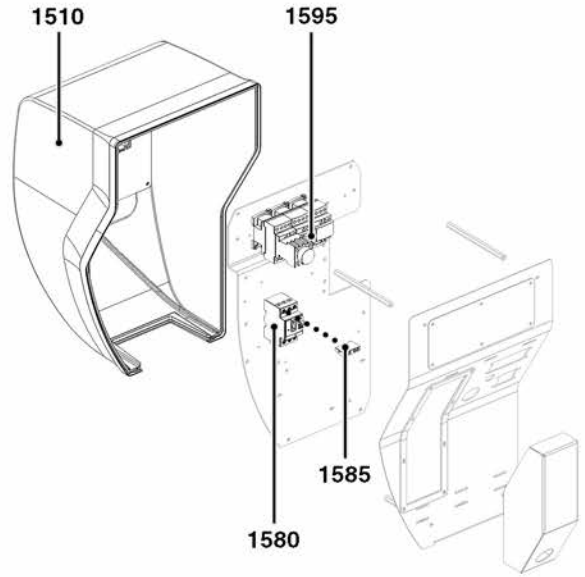
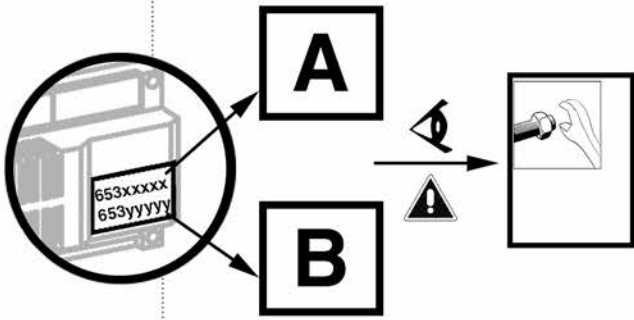
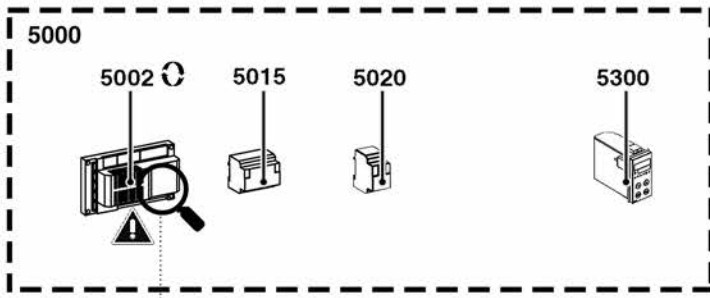
### **CB-EKEVO8/9 G-EU3**

R8220142-01 - 26/11/2015

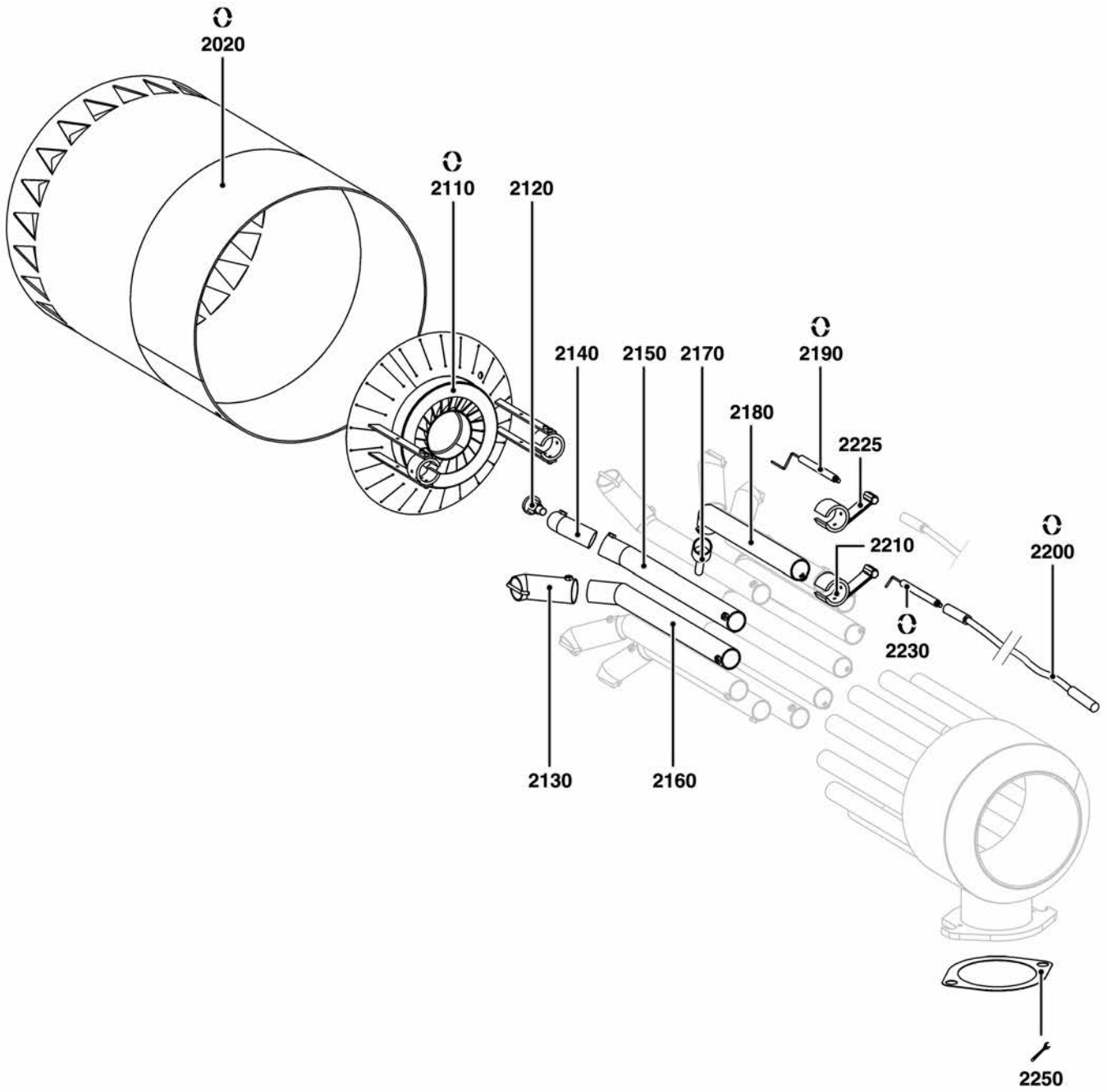
1	3753969	EKEVO 8.5800 G-EU3/BT3/KN	06-2015	-
1	3753978	EKEVO 8.5800 G-EU3/BT3/KM	06-2015	-
1	3753986	EKEVO 8.5800 G-EU3/BT3/KL	06-2015	-
2	3753970	EKEVO 8.7100 G-EU3/BT3/KN	06-2015	-
2	3753979	EKEVO 8.7100 G-EU3/BT3/KM	06-2015	-
2	3753987	EKEVO 8.7100 G-EU3/BT3/KL	06-2015	-
3	3753971	EKEVO 9.8700 G-EU3/BT3/KN	06-2015	-
3	3753980	EKEVO 9.8700 G-EU3/BT3/KM	06-2015	-
3	3753988	EKEVO 9.8700 G-EU3/BT3/KL	06-2015	-
4	3753972	EKEVO 9.10400 G-EU3/BT3/KN	06-2015	-
4	3753981	EKEVO 9.10400 G-EU3/BT3/KM	06-2015	-
4	3753989	EKEVO 9.10400 G-EU3/BT3/KL	06-2015	-
5	3750537	GT-s457-2	08-2012	-
6	3750515	GT-d457-2	11-2013	-
7	3750538	GT-s458-65	07-2012	-
8	3750539	GT-s459-80	08-2013	-
9	3750540	GT-s460-100	03-2014	-
10	3750541	GT-s461-125	06-2014	-
11	3750516	GT-d458-65	06-2012	-
12	3750517	GT-d459-80	03-2013	-
13	3750518	GT-d460-100	10-2012	-
Col	Reference	Model type	Begin	End



☉⇒	Description	Manf. Pt. N	Type	<div style="display: flex; justify-content: space-between; font-size: 8px; transform: rotate(-45deg);"> <span>EKEVO 8-5800 G-EU3/BT3</span> <span>EKEVO 8-1100 G-EU3/BT3</span> <span>EKEVO 8-8700 G-EU3/BT3</span> <span>EKEVO 9-10400 G-EU3/BT3</span> <span>GT-8457-2</span> <span>GT-8457-2</span> <span>GT-8459-85</span> <span>GT-8459-80</span> <span>GT-8460-100</span> <span>GT-8461-125</span> <span>GT-8462-65</span> <span>GT-8462-80</span> <span>GT-8462-100</span> </div>																		From	to
				1	2	3	4	5	6	7	8	9	10	11	12	13	14	15	16	17	18		
<b>1000</b>	<b>BURNER BODY</b>																						
1040	AIR INLET D288x127	65311673		•																			
	AIR INLET D318x134	65311672			•																		
	AIR INLET D332x127,5	65311665				•																	
	AIR INLET D344x126	65311715					•																
1050	COLORLESS SIGHT GLASS D55X21	1180603227		•	•	•	•																
1060	SIGHT GLASS COVER D55X61	1188052260		•	•	•	•																
1065	SETTING INDICATOR WITH SCALE EKEVO 8/9	65312849		•	•	•	•																
1070	NUT/SIGHT GLASS M48X1,5 SW60	1180559591		•	•	•	•																
1075	AIR FLAP SHAFT RD. INDICATOR EKEVO 8/9	65312851		•	•	•	•																
1076	AIR FLAP SHAFT F.ACTUATOR EKEVO8/9G	65312854		•	•	•	•																
1080	FAN WHEEL D533/290X83 d42	65311716		•																			
	FAN WHEEL D556/320X86 d42	65311670			•																		
	FAN WHEEL D590/334X92 d42	65311717				•																	
	FAN WHEEL D600/346X93 d48	65311718					•																
1090	IGNITION TRANSFO. EBI 1X11 230V	65311471		•	•	•	•																
1100	MIRROR/SIGHT GLASS	65311472		•	•	•	•																
1110	AIR PRESS.SWITCH LGW 50 A2P 2,5-50MB	65311595	2,5-50mb	•	•	•	•																
1120	GAS FLAP+ACTUATOR ASSEMBLY	65312855		•	•	•	•																
1121	GAS VALVE AS.RP4 STE4,5 3N-STM30+O'RING	65312853		•	•	•	•																
1122	O-RING NBR 8475 (120,00x6,99)	65323999		•	•	•	•																
1150	ACTUATOR STE 4,5 BT3XX	65311650		•	•	•	•																
1160	ACTUATOR STE 4,5 BT3XX	65311650		•	•	•	•																
1170	MOTOR 11KW 400/690V D42 IE3 ELV SCHWARZ	65326333		•																			
	MOTOR 15KW 400/690V D42 IE3 ELV BLACK	65326334			•																		
	MOTOR 18,5KW 400/690V D42 IE3 ELV BLACK	65326335				•																	
	MOTOR 22KW 400/690V D48 IE3 ELV BLACK	65326336					•																
1171	CABLE GLAND M32X1,5	65311933		•	•																		
	CABLE GLAND M40X1,5	65311934				•	•																
1172	CABLE GLAND EXTENS. M32-M40	65312850				•	•																
1200	AIR FLAP ASSEMBLY EKEVO8/9	65312856		•	•	•	•																
1400	GEAR WHEEL Z=100 M=1 BO=12MM EKEVO8/9	65312848		•	•	•	•																
<b>5000</b>	<b>ACCESSORY</b>																						
5035	EXTERNAL SENSOR NAMUR NI5-G12-Y1	65312550		•	•	•	•																
5500	PHOTOCELL FFS08-UV1 659D31 - 5M W/O	65312274	ETA EXT	•	•	•	•																

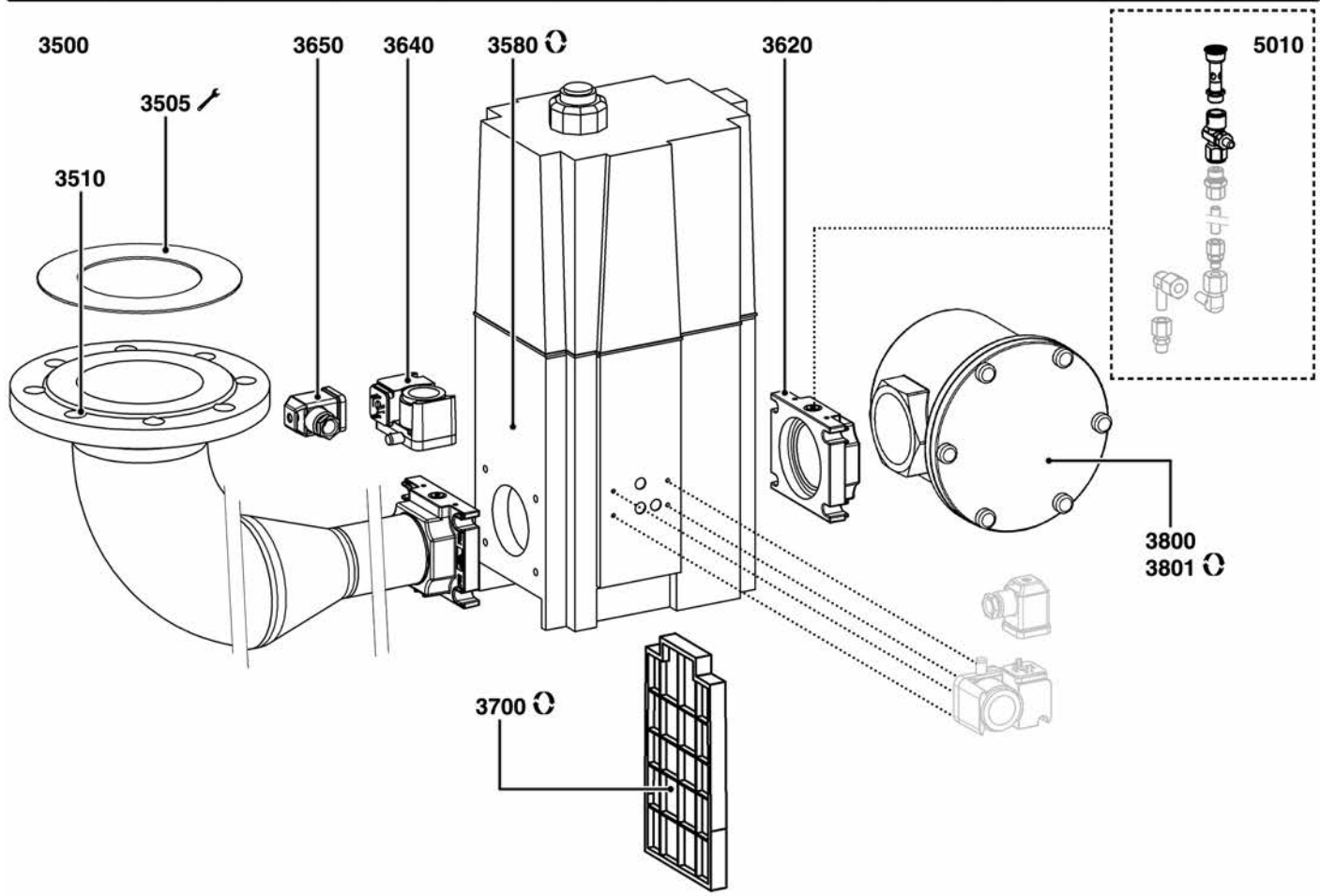
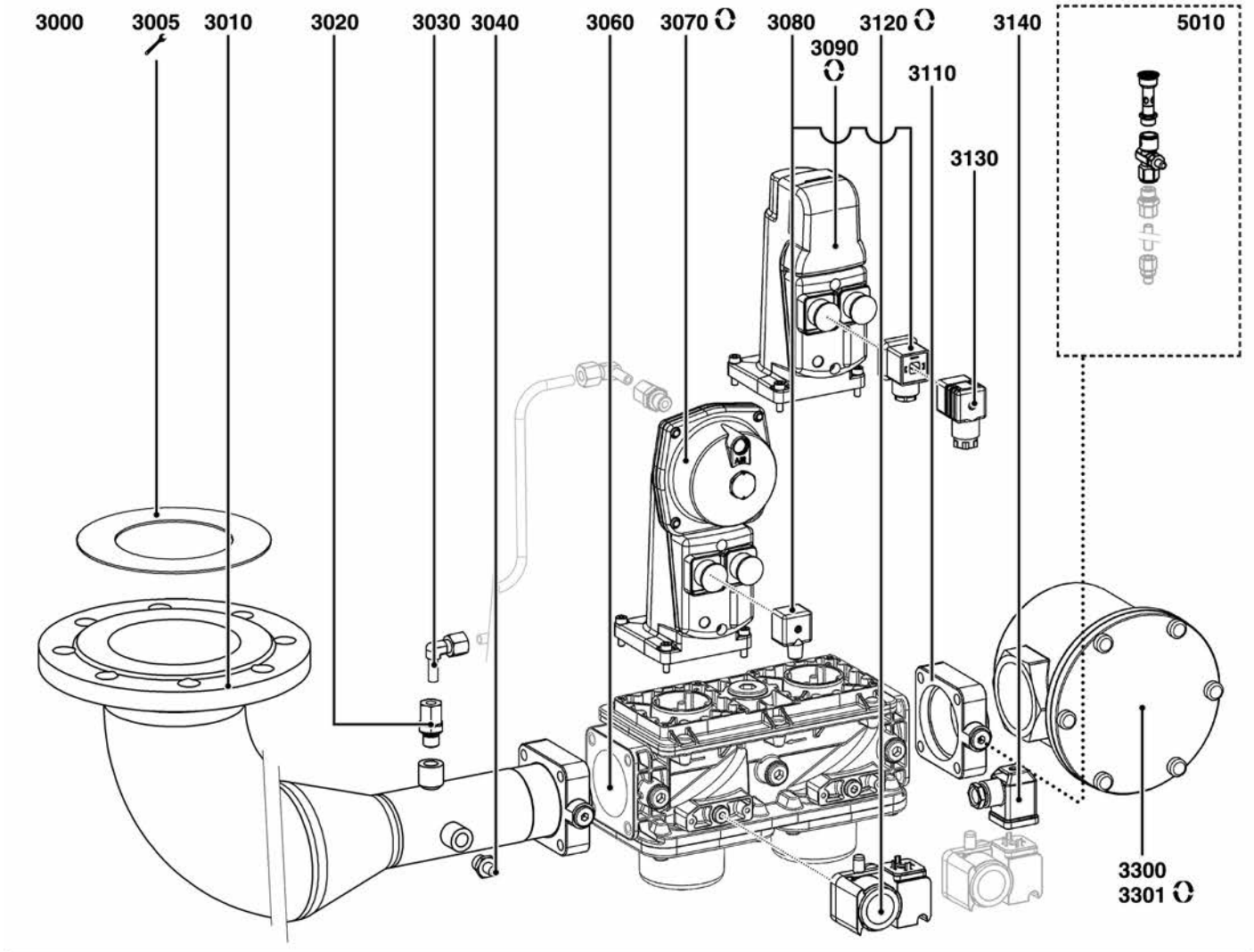


Description	Manf. Pt. N	Type	<div style="display: flex; justify-content: space-between;"> <div style="writing-mode: vertical-rl; transform: rotate(180deg); font-size: small;">           EKEVO 8-5800 G-EU3/BT3            EKEVO 8-1100 G-EU3/BT3            EKEVO 9-8700 G-EU3/BT3            EKEVO 9-10400 G-EU3/BT3            GT-8457-2            GT-8457-2            GT-8459-85            GT-8459-80            GT-8480-100            GT-8481-125            GT-8459-85            GT-8459-80            GT-8480-100         </div> <div style="border: 1px solid black; padding: 2px;">31</div> </div>																		From	to
			1	2	3	4	5	6	7	8	9	10	11	12	13	14	15	16	17	18		
<b>1500 ELECTRIC PART</b>																						
1510 SWITCH CABINET COVER	65312340		•	•	•	•																
1512 BLIND CAP/CONTROLLER 92X45 IP54	65312338		•	•	•	•																
1520 DISPLAY FOR CONTROL UNIT BT3XX	65300975		•	•	•	•																
1525 GASKET/DISPLAY	65311364		•	•	•	•																
1530 CONTROL UNIT BT320 G-E, G-EU3, G-EF3	65312451		•	•	•	•																
1580 MOTOR PROT. SWITCH 11kW GV2ME22	65312018		•																			
MOTOR PROT. SWITCH 15kW GV2ME32	65311798			•																		
MOTOR PROT. SWITCH 18,5kW GV3P40	65312019				•																	
MOTOR PROT. SWITCH 22kW GV3P50	65311917					•																
1585 AUXILIARY SWITCH GVAE11	65311795		•	•	•	•																
1595 MOTOR STARTER Y/D 11kW LC3D12AP7	65312015		•																			
MOTOR STARTER Y/D 18kW LC3D18AP7	65311796			•	•																	
MOTOR STARTER Y/D 22kW LC3D32AP7	65311797					•																
1600 SWITCH CABINET LIGHT INDICATOR	65312334		•	•	•	•																
1601 2-POS. ROCKER SWITCH	65312335		•	•	•	•																
1602 3-POS. ROCKER SWITCH	65312336		•	•	•	•																
1604 2-POS. MOMENTARY SWITCH	65312337		•	•	•	•																
1605 BLIND CAP/SWITCH CABINET COVER	65312341		•	•	•	•																
1610 SCREW TERMINAL M20	65311758		•	•	•	•																
1611 SCREW TERMINAL M16	65311451		•	•	•	•																
1612 CABLE GLAND CLICK M25	65312852		•	•	•	•																
1700 OPERATING TOOL 2009-309	65311446		•	•	•	•																
<b>5000 ACCESSORY</b>																						
5002 CONTR. UNIT BT320 BASIC SETTING	65312445		•	•	•	•																
CONTR. UNIT BT320 CUSTOMIZED SETTING	65312448		•	•	•	•																
CONTR. UNIT BT330 BASIC SETTING	65312446		•	•	•	•																
CONTR. UNIT BT330 CUSTOMIZED SETTING	65312449		•	•	•	•																
CTR.UNIT BT320 G-E,G-EU3,G-EF3(+FRQ.CTR)	65312452		•	•	•	•																
5015 LCM100 MODULE (LSB-M 667R0500-1)	65311790		•	•	•	•																
5020 VMS100 MODULE	65311918		•	•	•	•																
5300 UNIVERSAL CONTROLLER RWF 55.50A9	65114033		•	•	•	•																



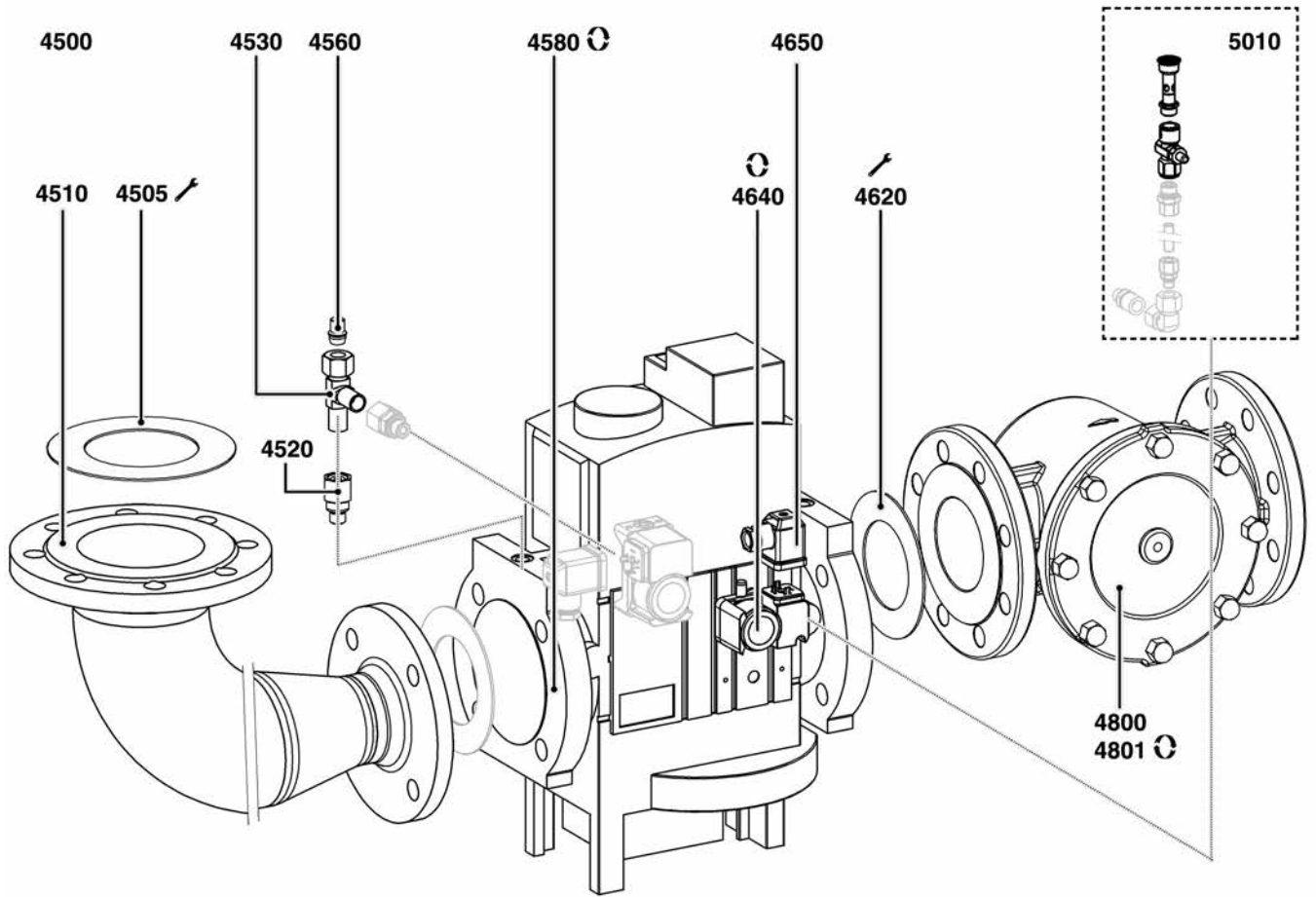
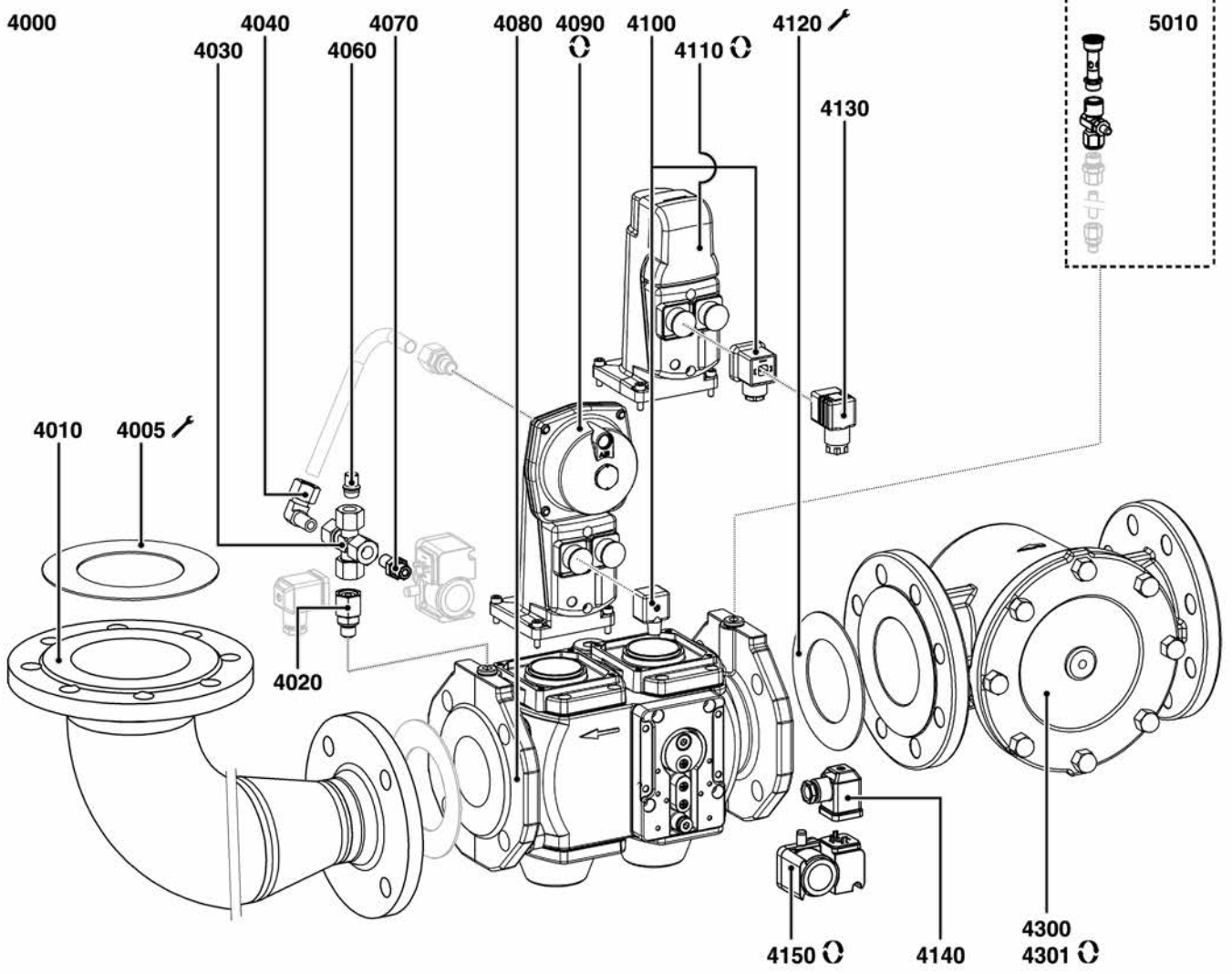
☉⇒	Description	Manf. Pt. N	Type	<div style="display: flex; justify-content: space-between; font-size: small;"> <span>EKEVO 8-5800 G-EU9/BT3</span> <span>EKEVO 8-1100 G-EU9/BT3</span> <span>EKEVO 9-8700 G-EU9/BT3</span> <span>EKEVO 9-10400 G-EU9/BT3</span> <span>GT-8457-2</span> <span>GT-8457-2</span> <span>GT-8459-85</span> <span>GT-8459-80</span> <span>GT-8480-100</span> <span>GT-8461-125</span> <span>GT-8458-65</span> <span>GT-8459-80</span> <span>GT-8460-100</span> </div>																		From	to
				1	2	3	4	5	6	7	8	9	10	11	12	13	14	15	16	17	18		
2000	<b>COMBUSTION HEAD</b>																						
2020	FLAME TUBE D369/303 L555 DELTA	65311656		•	•																		
	FLAME TUBE D369/303 L695 DELTA	65312006		•	•																		
	FLAME TUBE D369/303 L835 DELTA	65312007		•	•																		
	FLAME TUBE D431,5/362 L605 DELTA	65311661				•	•																
	FLAME TUBE D431,5/362 L755 DELTA	65312011				•	•																
	FLAME TUBE D431,5/362 L905 DELTA	65312012				•	•																
2110	BAFFLE PLATE D270/130 TKD230 45°	65311681		•																			
	BAFFLE PLATE D290/130 TKD230 45°	65311682		•																			
	BAFFLE PLATE D308/130 TKD230 45°	65311651					•																
	BAFFLE PLATE D328/130 TKD230 45°	65311655				•																	
2120	LOCKING BOLT D12/30X40	1688611605		•	•	•	•																
2130	GAS NOZZLE D40X2,2X45GR	65311704					•																
	GAS NOZZLE D40X2,2X50	65311708		•	•																		
	GAS NOZZLE D40X2,2X90	65311692						•															
2140	GAS NOZZLE D30X2 45 L80	65311696					•																
	GAS NOZZLE D30X45 45GR.	65311711					•																
	GAS NOZZLE D30X50 45GR.	1688611763		•																			
	GAS NOZZLE D30X60 45GR.	65311653						•															
2150	GASTUBE D35X2,2X360	65311710			•																		
	GASTUBE D35X2,2X360 2XM5	65310279		•		•	•																
2160	GASTUBE D35X2,2X360	65311709		•	•																		
	GASTUBE D35X2,2X360 1XM5	65310278					•	•															
2170	GAS NOZZLE D30X2/D12X1 L93	65311693					•	•															
	GAS NOZZLE D30x2/D12x1 L73	65312013		•	•																		
2180	GAS TUBE D35x2.2x45GR.	65311712		•	•	•	•																
2190	IONISATION PROBE D11X110d6,4 D2,5X95 45°	65311691					•	•															
	IONISATION PROBE D11X110d6,4D2,5X130 45°	65311694		•	•																		
2200	IGNITION CABLE SILICONE L1500	1728777751		•	•	•	•																
2210	ELECTRODE SUPPORT	65311662		•	•	•	•																
2225	ELECTRODE SUPPORT	65311662		•	•																		
	ELECTRODE SUPPORT (LONG)	65311695					•	•															
2230	IGNIT.ELECTRODE D11X100d6,4 D2,5X150 45°	65311690		•	•	•	•																
2250	SEAL FOR OVAL FLANGE DN100	65311713		•	•	•	•																









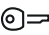
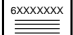




		DE	FR	IT	X
		NL	ES		
1040	65311665	ANSAUGTRICHTER D332x127,5 LUCHTINLAAT D332x127,5	ENTREE D'AIR D332x127,5 ENTRADA DE AIRE D332x127,5	ADDUZIONE ARIA D332x127,5	1
	65311672	ANSAUGTRICHTER D318x134 LUCHTINLAAT D318x134	ENTREE D'AIR D318x134 ENTRADA DE AIRE D318x134	ADDUZIONE ARIA D318x134	1
	65311673	ANSAUGTRICHTER D288x127 LUCHTINLAAT D288x127	ENTREE D'AIR D288x127 ENTRADA DE AIRE D288x127	ADDUZIONE ARIA D288x127	1
	65311715	ANSAUGTRICHTER D344x126 LUCHTINLAAT D344x126	ENTREE D'AIR D344x126 ENTRADA DE AIRE D344x126	ADDUZIONE ARIA D344x126	1
1050	1180603227	SCHAUGLAS KLAR D55X21 KLEURLOOS KIJKGLAS D55X21	REGARD INCOLORE D55X21 MIRILLA INCOLORA D55X21	SPIONCINO INCOLORE D55X21	1
1060	1188052260	SCHAUGLASDECKEL D55X61 DEKSEL/KIJKGLAS D55X61	CACHE REGARD D55X61 TAPA/MIRILLA D55X61	COPERCHIO/SPIONCINO D55X61	1
1065	65312849	VERSTELLANZEIGE MIT SKALA EKEVO 8/9 AFSTEL-INDICATOR MET SCHAAL EKEVO 8/9	INDICATEUR DE POSITION GRADUE EKEVO 8/9 INDICADOR AJUST. CON ESCALA EKEVO 8/9	INDICATORE REGOLAZ. CON SCALA EKEVO 8/9	1
1070	1180559591	MUTTER SCHAUGLAS M48X1,5 SW60 MOER/KIJKGLAS M48X1,5 SW60	ECROU REGARD M48X1,5 SW60 TUERCA/MIRILLA M48X1,5 SW60	DADO/SPIONCINO M48X1,5 SW60	1
1075	65312851	LUFTKLAPPENWELLE RD. F. ZEIGER EKEVO 8/9 AS LUCHTKLEP MET WIJZER EKEVO 8/9	AXE VOLET AIR ROND INDIC. POS. EKEVO8/9 EJE VALVULA AIRE CON INDICADOR EKEVO 8/9	ALBERO SERR. ARIA ROTD. INDIC. EKEVO 8/9	1
1076	65312854	LUFTKLAPPENWELLE F. ANTR. EKEVO8/9G AS LUCHTKLEP STELLMOTOR EKEVO8/9G	AXE VOLET AIR SERVOMOTEUR EKEVO8/9G EJE VALVULA AIRE ACTUADOR EKEVO8/9G	ALBERO SERR. ARIA ACTUAT. EKEVO8/9G	1
1080	65311670	VENTILATORRAD D556/320X86 d42 VENTILATORWIEL D556/320X86 d42	TURBINE D556/320X86 d42 TURBINA D556/320X86 d42	VENTOLA D556/320X86 d42	1
	65311716	VENTILATORRAD D533/290X83 d42 VENTILATORWIEL D533/290X83 d42	TURBINE D533/290X83 d42 TURBINA D533/290X83 d42	VENTOLA D533/290X83 d42	1
	65311717	VENTILATORRAD D590/334X92 d42 VENTILATORWIEL D590/334X92 d42	TURBINE D590/334X92 d42 TURBINA D590/334X92 d42	VENTOLA D590/334X92 d42	1
	65311718	VENTILATORRAD D600/346X93 d48 VENTILATORWIEL D600/346X93 d48	TURBINE D600/346X93 d48 TURBINA D600/346X93 d48	VENTOLA D600/346X93 d48	1
1090	65311471	ZUENDTRAF0 EBI 1X11 230V ONTSTEKINGSTRAFO EBI 1X11 230V	ALLUMEUR EBI 1X11 230V ENCENDEDOR EBI 1X11 230V	TRANSFO. ACC. EBI 1X11 230V	1
1100	65311472	SICHTSPIEGEL FÜR SCHAUGLAS SPIEGEL/KIJKGLAS	MIROIR/REGARD ESPEJO/MIRILLA	SPECCHIO/SPIONCINO	1
1110	65311595	LUFTDRUCKWAECHTER LGW 50 A2P 2,5-50MB LUCHTDRUKSCHAKELAAR LGW 50 A2P 2,5-50MB	MANOSTAT AIR LGW 50 A2P 2,5-50MB PRESOSTATO AIRE LGW 50 A2P 2,5-50MB	PRESSOSTATO ARIA LGW 50 A2P 2,5-50MB	1
1120	65312855	GASKLAPPE+SCHRITTMOTOR BG GASKLEP+SERVOMOTOR EQ.	CLAPET GAZ+SERVOMOTEUR EQ. VALVULA DEL GAS+SERVOMOTOR EQ.	VALVOLA DEL GAS+SERVOMOTORE COMPL.	1
1121	65312853	GASKLAPPE RP4 STE4,5 3N-STM30+O'RING GASKLEP RP4 STE 4,5 3N-STM30+O'RING	CLAPET GAZ RP4 STE4,5 3N-STM30+O'RING VALVULA GAS.RP4 STE4,5 3N-STM30+O'RING	VALVOLA GAS RP4 STE4,5 3N-STM30+O'RING	1
1122	65323999	O-RING NBR 8475 (120,00x6,99) O-RING NBR 8475 (120,00x6,99)	O-RING NBR 8475 (120,00x6,99) O-RING NBR 8475 (120,00x6,99)	O-RING NBR 8475 (120,00x6,99)	1
1150	65311650	STELLANTRIEB STE 4,5 BT3XX SERVOMOTOR STE 4,5 BT3XX	SERVOMOTEUR STE 4,5 BT3XX SERVOMOTOR STE 4,5 BT3XX	SERVOMOTORE STE 4,5 BT3XX	1
1160	65311650	STELLANTRIEB STE 4,5 BT3XX SERVOMOTOR STE 4,5 BT3XX	SERVOMOTEUR STE 4,5 BT3XX SERVOMOTOR STE 4,5 BT3XX	SERVOMOTORE STE 4,5 BT3XX	1
1170	65326333	MOTOR 11KW 400/690V D42 IE3 ELV SCHWARZ MOTOR 11KW 400/690V D42 IE3 ELV ZWART	MOTEUR 11KW 400/690V D42 IE3 ELV NOIR MOTOR 11KW 400/690V D42 IE3 ELV NEGRO	MOTORE 11KW 400/690V D42 IE3 ELV NERO	1
	65326334	MOTOR 15KW 400/690V D42 IE3 ELV SCHWARZ MOTOR 15KW 400/690V D42 IE3 ELV ZWART	MOTEUR 15KW 400/690V D42 IE3 ELV NOIR MOTOR 15KW 400/690V D42 IE3 ELV NEGRO	MOTORE 15KW 400/690V D42 IE3 ELV NERO	1
	65326335	MOTOR 18,5KW 400/690V D42 IE3 ELV SCHWZ MOTOR 18,5KW 400/690V D42 IE3 ELV ZWART	MOTEUR 18,5KW 400/690V D42 IE3 ELV NOIR MOTOR 18,5KW 400/690V D42 IE3 ELV NEGRO	MOTORE 18,5KW 400/690V D42 IE3 ELV NERO	1
	65326336	MOTOR 22KW 400/690V D48 IE3 ELV SCHWARZ MOTOR 22KW 400/690V D48 IE3 ELV ZWART	MOTEUR 22KW 400/690V D48 IE3 ELV NOIR MOTOR 22KW 400/690V D48 IE3 ELV NEGRO	MOTORE 22KW 400/690V D48 IE3 ELV NERO	1
1171	65311933	KABELVERSCHRAUBUNG M32X1,5 PAKKINGBUS M32X1,5	PRESSE-ETOUPE M32X1,5 PRENSAESTOPAS M32X1,5	PREMISTOPPA M32X1,5	1
	65311934	KABELVERSCHRAUBUNG M40X1,5 PAKKINGBUS M40X1,5	PRESSE-ETOUPE M40X1,5 PRENSAESTOPAS M40X1,5	PREMISTOPPA M40X1,5	1
1172	65312850	KABELVERSCHRAUBUNG ERW. M32-M40 KABELSCHROEFVERBIND. ADAPTER M32-M40	AMPLIFIC. PRESSE-ETOUPE M32-M40 EXTENSION PRENSAESTOPAS M32-M40	ESTENS. PRESSACAVO M32-M40	1
1200	65312856	LUFTKLAPPE BG EKEVO8/9 COMPLETE LUCHTKLEP EKEVO8/9	VOLET D'AIR EQUIPE EKEVO8/9 VÁLVULA DE AIRE EQUIPADA EKEVO8/9	SERRANDA DELL'ARIA EQUIP. EKEVO8/9	1
1400	65312848	ZAHNRAD Z=100 M=1 BO=12MM EKEVO8/9 TANDWIEL Z=100 M=1 BO=12MM EKEVO8/9	ROUE DENTEE Z=100 M=1 BO=12MM EKEVO8/9 RUEDA DENTADA Z=100 M=1 BO=12MM EKEVO8/9	RUOTA DENTATA Z=100 M=1 BO=12MM EKEVO8/9	1
1510	65312340	BRENNERSCHRANKHAUBE KAP ELEKTRISCHE KAST	CAPOT ARMOIRE ELEC. CUBIERTA ARMARIO ELÉCTRICO	COPERCHIO ARMADIO ELETTRICO	1
1512	65312338	BLINDDECKEL/REGLER 92X45 IP54 AFSLUITER/REGELAAR 92X45 IP54	OBTURATEUR REGULATEUR 92X45 IP54 CONJUNTO/REGULADOR 92X45 IP54	OTTURATORE/REGOLATORE 92X45 IP54	1
1520	65300975	ANZEIGE FÜR FEUERUNGSAUTOMAT BT3XX DISPLAY VOOR BRANDERAUTOMAAT BT3XX	AFFICHEUR POUR COFFRET BT3XX PANTALLA PARA PROGRAMADOR BT3XX	DISPLAY PER APPARECCHIATURA BT3XX	1
1525	65311364	DICHTUNG/ANZEIGE AFDICHTING/DISPLAY	JOINT/AFFICHEUR JUNTA/PANTALLA	GUARNIZIONE/DISPLAY	1
1530	65312451	FEUERUNGSAUTOMAT BT320 G-E, G-EU3, G-EF3 BRANDERAUTOMAAT BT320 G-E, G-EU3, G-EF3	COFFRET BT320 G-E, G-EU3, G-EF3 PROGRAMADOR BT320 G-E, G-EU3, G-EF3	APPARECCHIATURA BT320 G-E, G-EU3, G-EF3	1



			DE	FR	IT	
			NL	ES		
1580	65311798	MOTORSCHUTZSCHALTER 15kW GV2ME32 VERMOGENSCHAKEL. MOTOR 15kW GV2ME32	DISJONCTEUR MOTEUR 15kW GV2ME32 INTERRUPTOR MOTOR 15kW GV2ME32	INTERRUTTORE MOTORE 15kW GV2ME32	1	
	65311917	MOTORSCHUTZSCHALTER 22kW GV3P50 VERMOGENSCHAKEL. MOTOR 22kW GV3P50	DISJONCTEUR MOTEUR 22kW GV3P50 INTERRUPTOR MOTOR 22kW GV3P50	INTERRUTTORE MOTORE 22kW GV3P50	1	
	65312018	MOTORSCHUTZSCHALTER 11kW GV2ME22 VERMOGENSCHAKEL. MOTOR 11kW GV2ME22	DISJONCTEUR MOTEUR 11kW GV2ME22 INTERRUPTOR MOTOR 11kW GV2ME22	INTERRUTTORE MOTORE 11kW GV2ME22	1	
	65312019	MOTORSCHUTZSCHALTER 18,5kW GV3P40 VERMOGENSCHAKEL. MOTOR 18,5kW GV3P40	DISJONCTEUR MOTEUR 18,5kW GV3P40 INTERRUPTOR MOTOR 18,5kW GV3P40	INTERRUTTORE MOTORE 18,5kW GV3P40	1	
1585	65311795	HILFSSCHALTER GVAE11 HULPSCHAKELAAR GVAE11	CONTACT AUXILIAIRE GVAE11 INTERRUPTOR AUXILIAR GVAE11	INTERRUTTORE AUSILIARIO GVAE11	1	
1595	65311796	MOTORSTARTER Y/D 18kW LC3D18AP7 MOTOR STARTER Y/D 18kW LC3D18AP7	DEMARREUR MOT. ET./TRI. 18kW LC3D18AP7 ARRANQUE MOTOR Y/D 18kW LC3D18AP7	AVVIATORE STELLA/TRIA. 18kW LC3D18AP7	1	
	65311797	MOTORSTARTER Y/D 22kW LC3D32AP7 MOTOR STARTER Y/D 22kW LC3D32AP7	DEMARREUR MOT. ET./TRI. 22kW LC3D32AP7 ARRANQUE MOTOR Y/D 22kW LC3D32AP7	AVVIATORE STELLA/TRIA. 22kW LC3D32AP7	1	
	65312015	MOTORSTARTER Y/D 11kW LC3D12AP7 MOTOR STARTER Y/D 11kW LC3D12AP7	DEMARREUR MOT. ET./TRI. 11kW LC3D12AP7 ARRANQUE MOTOR Y/D 11kW LC3D12AP7	AVVIATORE STELLA/TRIA. 11kW LC3D12AP7	1	
1600	65312334	BRENNERSCHRANK KONTROLLEUCHE CONTROLELAMPJE ELEKTRISCHE KAST	VOYANT ARMOIRE ELECTRIQUE TESTIGO ARMARIO ELÉCTRICO	SPIA ARMADIO ELETTRICO	1	
1601	65312335	2-STELL. KIPPSCHALTER SCHAKELAAR 2 POS.	INTERRUPTEUR 2 POS. INTERRUPTOR 2 POS.	INTERRUTTORE 2 POS.	1	
1602	65312336	3-STELL. KIPPSCHALTER SCHAKELAAR 3 POS.	INTERRUPTEUR 3 POS. INTERRUPTOR 3 POS.	INTERRUTTORE 3 POS.	1	
1604	65312337	2-STELL. DRUCKSCHALTER MOMENTANE SCHAKELAAR 2 POS.	INTERRUPTEUR 2 POS. INSTANTANE INTERRUPTOR DE ACCIÓN INSTANTÁN. 2 POS.	INTERRUTTORE 2 POS. INSTANTANEA	1	
1605	65312341	BLINDDECKEL/BRENNERSCHRANKHAUBE AFSLUITER/KAP ELEKTRISCHE KAST	OBTURATEUR/ARMOIRE ELECTRIQUE CONJUNTO/CUBIERTA ARMARIO ELÉCTRICO	OTTURATORE/COPERCHIO ARMADIO ELETTR.	1	
1610	65311758	KABELVERSCHRAUBUNG CLICK M20 SCHWARZ SCHROEFKLEM M20	BORNE A VISSER M20 TERMINAL A ATORNILLAR M20	MORSETTO AD AVVITARE M20	1	
1611	65311451	KABELVERSCHRAUBUNG CLICK M16 SCHWARZ SCHROEFKLEM M16	BORNE A VISSER M16 BORNE A ATORNILLAR M16	MORSETTO AD AVVITARE M16	1	
1612	65312852	KABELVERSCHRAUBUNG CLICK M25 PAKKINGBUS CLICK M25	PRESSE-ETOUPPE CLICK M25 PRENSAESTOPAS CLICK M25	PREMISTOPPA CLICK M25	1	
1700	65311446	BETAETIGUNGSWERKZEUG 2009-309 BEDIENINGSGEREEDSCHAP 2009-309	OUTIL DE MANOEUVRE 2009-309 HERRAMIENTA D.ACCIONAM. 2009-309	DISPOSITIVO DI MANOVRA 2009-309	1	
2020	65311656	FLAMMENROHR D369/303 L555 DELTA BRANDERBUIJS D369/303 L555 DELTA	TUBE DE FLAMME D369/303 L555 DELTA TUBO DE LLAMA D369/303 L555 DELTA	BOCCAGLIO D369/303 L555 DELTA	1	
	65311661	FLAMMENROHR D431,5/362 L605 DELTA BRANDERBUIJS D431,5/362 L605 DELTA	TUBE DE FLAMME D431,5/362 L605 DELTA TUBO DE LLAMA D431,5/362 L605 DELTA	BOCCAGLIO D431,5/362 L605 DELTA	1	
	65312006	FLAMMENROHR D369/303 L695 DELTA BRANDERBUIJS D369/303 L695 DELTA	TUBE DE FLAMME D369/303 L695 DELTA TUBO DE LLAMA D369/303 L695 DELTA	BOCCAGLIO D369/303 L695 DELTA	1	
	65312007	FLAMMENROHR D369/303 L835 DELTA BRANDERBUIJS D369/303 L835 DELTA	TUBE DE FLAMME D369/303 L835 DELTA TUBO DE LLAMA D369/303 L835 DELTA	BOCCAGLIO D369/303 L835 DELTA	1	
	65312011	FLAMMENROHR D431,5/362 L755 DELTA BRANDERBUIJS D431,5/362 L755 DELTA	TUBE DE FLAMME D431,5/362 L755 DELTA TUBO DE LLAMA D431,5/362 L755 DELTA	BOCCAGLIO D431,5/362 L755 DELTA	1	
	65312012	FLAMMENROHR D431,5/362 L905 DELTA BRANDERBUIJS D431,5/362 L905 DELTA	TUBE DE FLAMME D431,5/362 L905 DELTA TUBO DE LLAMA D431,5/362 L905 DELTA	BOCCAGLIO D431,5/362 L905 DELTA	1	
2110	65311651	STAUSCHEIBE D308/130 TKD230 45° STUWPLAAT D308/130 TKD230 45°	DEFLECTEUR D308/130 TKD230 45° DEFLECTOR D308/130 TKD230 45°	DIFFUSORE D308/130 TKD230 45°	1	
	65311655	STAUSCHEIBE D328/130 TKD230 45° STUWPLAAT D328/130 TKD230 45°	DEFLECTEUR D328/130 TKD230 45° DEFLECTOR D328/130 TKD230 45°	DIFFUSORE D328/130 TKD230 45°	1	
	65311681	STAUSCHEIBE D270/130 TKD230 45° STUWPLAAT D270/130 TKD230 45°	DEFLECTEUR D270/130 TKD230 45° DEFLECTOR D270/130 TKD230 45°	DIFFUSORE D270/130 TKD230 45°	1	
	65311682	STAUSCHEIBE D290/130 TKD230 45° STUWPLAAT D290/130 TKD230 45°	DEFLECTEUR D290/130 TKD230 45° DEFLECTOR D290/130 TKD230 45°	DIFFUSORE D290/130 TKD230 45°	1	
2120	1688611605	VERSCHLUSSBOLZEN D12/30X40 VERGRENDDELINGSBOUT D12/30X40	OBTURATEUR D12/30X40 OBTURADOR D12/30X40	OTTURATORE D12/30X40	1	
2130	65311692	GASDUESE D40X2,2X90 GAS NOZZLE D40X2,2X90	DIFFUSEUR GAZ D40X2,2X90 DIFUSOR GAS D40X2,2X90	INIETTORE GAS D40X2,2X90	1	
	65311704	GASDUESE D40X2,2X45GR GAS NOZZLE D40X2,2X45GR	DIFFUSEUR GAZ D40X2,2X45GR DIFUSOR GAS D40X2,2X45GR	INIETTORE GAS D40X2,2X45GR	1	
	65311708	GASDUESE D40X2,2X50 GAS NOZZLE D40X2,2X50	DIFFUSEUR GAZ D40X2,2X50 DIFUSOR GAS D40X2,2X50	INIETTORE GAS D40X2,2X50	1	
2140	1688611763	GASDUESE D30X50 45GR. GAS NOZZLE D30X50 45GR.	DIFFUSEUR GAZ D30X50 45GR. DIFUSOR GAS D30X50 45GR.	INIETTORE GAS D30X50 45GR.	1	
	65311653	GASDUESE D30X60 45GR. GAS NOZZLE D30X60 45GR.	DIFFUSEUR GAZ D30X60 45GR. DIFUSOR GAS D30X60 45GR.	INIETTORE GAS D30X60 45GR.	1	
	65311696	GASDUESE D30X2 45 L80 GAS NOZZLE D30X2 45 L80	DIFFUSEUR GAZ D30X2 45 L80 DIFUSOR GAS D30X2 45 L80	INIETTORE GAS D30X2 45 L80	1	
	65311711	GASDUESE D30X45 45GR. GAS NOZZLE D30X45 45GR.	DIFFUSEUR GAZ D30X45 45GR. DIFUSOR GAS D30X45 45GR.	INIETTORE GAS D30X45 45GR.	1	
2150	65310279	GASROHR D35X2,2X360 2XM5 GASBUIJS D35X2,2X360 2XM5	TUBE GAZ D35X2,2X360 2XM5 TUBERIA GAS D35X2,2X360 2XM5	TUBO GAS D35X2,2X360 2XM5	1	

			DE NL	FR ES	IT	
			GASROHR D35X2,2X360 GASBUIJS D35X2,2X360	TUBE GAZ D35X2,2X360 TUBERIA GAS D35X2,2X360	TUBO GAS D35X2,2X360	1
2160			GASROHR D35X2,2X360 1XM5 GASBUIJS D35X2,2X360 1XM5	TUBE GAZ D35X2,2X360 1XM5 TUBERIA GAS D35X2,2X360 1XM5	TUBO GAS D35X2,2X360 1XM5	1
			GASROHR D35X2,2X360 GASBUIJS D35X2,2X360	TUBE GAZ D35X2,2X360 TUBERIA GAS D35X2,2X360	TUBO GAS D35X2,2X360	1
2170			GASDUESE D30X2/D12X1 L93 GAS NOZZLE D30X2/D12X1 L93	DIFFUSEUR GAZ D30X2/D12X1 L93 DIFUSOR GAS D30X2/D12X1 L93	INIETTORE GAS D30X2/D12X1 L93	1
			GASDUESE D30x2/D12x1 L73 GAS NOZZLE D30x2/D12x1 L73	DIFFUSEUR GAZ D30x2/D12x1 L73 DIFUSOR GAS D30x2/D12x1 L73	INIETTORE GAS D30x2/D12x1 L73	1
2180			GASROHR D35x2.2x45GR. GASBUIJS D35x2.2x45GR.	TUBE GAZ D35x2.2x45GR. TUBERIA GAS D35x2.2x45GR.	TUBO GAS D35x2.2x45GR.	1
2190			IONISATIONSSONDE D11X110 d6,4d2,5X95 45° IONISATIEPEN D11X110 d6,4 D2,5X95 45°	SONDE IONISATION D11X110 d6,4D2,5X95 45° SONDA IONIZACION D11X110 d6,4D2,5X95 45°	SONDA RIVELAZIONE D11X110d6,4D2,5X95 45°	1
			IONISATIONSSONDE D11X110d6,4d2,5X130 45° IONISATIEPEN D11X110 d6,4 D2,5X130 45°	SONDE IONISATION D11X110d6,4D2,5X130 45° SONDA IONIZACION D11X110d6,4D2,5X130 45°	SONDA RIVELAZ. D11X110 d6,4 D2,5X130 45°	1
2200			ZUENDKABEL KPL. L1500 SILIKON ONTSTEKINGSKABEL SILICONE L1500	CABLE ALLUMAGE SILICONE LG1500 CABLE ENCENDIDO SILICONA L1500	CAVO ACCENSIONE SILICONE L1500	1
2210			ELEKTRODENHALTER ELEKTRODESTEUN	SUPPORT ELECTRODE SOPORTE ELECTRODO	SUPPORTO ELETTRODO	1
2225			ELEKTRODENHALTER ELEKTRODESTEUN	SUPPORT ELECTRODE SOPORTE ELECTRODO	SUPPORTO ELETTRODO	1
			ELEKTRODENHALTER (LANG) ELEKTRODESTEUN (LANG)	SUPPORT ELECTRODE (LONG) SOPORTE ELECTRODO (LARGO)	SUPPORTO ELETTRODO (LUNGO)	1
2230			ZUENDELEKTRODE D11X100 d6,4 D2,5X150 45° ONTSTEKINGSPEN D11X100 d6,4 D2,5X150 45°	ELECTRODE ALLU. D11X100 d6,4D2,5X150 45° ELECTRODO ENC. D11X100 d6,4 D2,5X150 45°	ELETTRODO ACC. D11X100 d6,4 D2,5X150 45°	1
2250			DICHTUNG F.OVALFLANSCH LGK DN100 AFDICHTING VOOR OVALE FLENS DN100	JOINT POUR BRIDE OVALE DN100 JUNTA PARA BRIDA OVALADA DN100	GUARNIZIONE PER FLANGIA OVALE DN100	1
3005			DICHTUNG DIN EN 1514-1 DN100 PN16 AFDICHTING DIN EN 1514-1 DN100 PN16	JOINT DIN EN 1514-1 DN100 PN16 JUNTA DIN EN 1514-1 DN100 PN16	GUARNIZIONE DIN EN 1514-1 DN100 PN16	1
3010			GASANSCHLUSSSTÜCK DN100-R2Z 2G1/4 PN16 GASAANSLUITBUIS DN100-R2Z 2G1/4 PN16	COLLECTEUR DN100-R2Z 2G1/4 PN16 COLECTOR DN100-R2Z 2G1/4 PN16	COLLETTORE DN100-R2Z 2G1/4 PN16	1
3020			GER.-EINSCHRAUBVERS.P-GEV 8LR-WD-VI RECHTE AANSLUITING P-GEV 8LR-WD-VI	RACCORD DROIT P-GEV 8LR-WD-VI RACOR RECTO P-GEV 8LR-WD-VI	RACCORDO DESTRO P-GEV 8LR-WD-VI	1
3030			W-VERSCHRAUBUNG P-EWV 8-L GEBOGEN AANSLUITING P-EWV 8-L	RACCORD COUDE P-EWV 8-L RACOR ACODADO P-EWV 8-L	RACCORDO A GOMITO P-EWV 8-L	1
3040			MESSNIPPEL R1/4Z M.DICHTUNG MEETNIPPEL R1/4Z+AFDICHTING	PRISE DE PRESSION R1/4Z+JOINT TOMA DE PRESIÓN R1/4Z+JUNTA	PRESA DI PRESSIONE R1/4Z+GUARNIZIONE	1
3060			GASVENTIL VGD20 5011 RP2" GASKLEP VGD20 5011 RP2"	VANNE GAZ VGD20 5011 RP2" VALVULA GAS VGD20 5011 RP2"	VALVOLA GAS VGD20 5011 RP2"	1
3070			STELLANTRIEB SKP25.003E2 O. ENDSCHALTER REGELMOT. GAS SKP25.003E2 Z.EINDSCHALTE	SERVOMOT. GAZ SKP25.003E2 S.FIN COURSE SERVOMOTOR SKP25.003 E2 SIN FIN CARRERA	SERVOMOT. GAS SKP25.003E2 S.FINE CORSA	1
3080			ZWISCHENSTECKER AGA62.000A000 VERBINDINGSKABEL AGA62.000A000	CABLE DE LIAISON AGA62.000A000 CABLE AGA62.000A000	CAVO DI COLLEGAMENTO AGA62.000A000	1
3090			STELLANTRIEB SKP15.000E2 OHNE ENDSCHALT. REGELMOTOR GAS SKP15.000E2 Z.EINDSCHALTE	SERVOMOT.GAZ SKP15.000E2 SANS FIN COURSE SERVOMO. GAS SKP15.000E2 SIN FIN CARRERA	SERVOMOT.GAS SKP15.000E2 SENZ.FINE CORSA	1
3110			FLANSCH AGF10.50 RP2 FLENS AGF10.50 RP2	BRIDE AGF10.50 RP2 BRIDA AGF10.50 RP2	FLANGIA AGF10.50 RP2	1
3120			GASDRUCKWAECHTER GW 500 A5 30-500MB GASDRUKSCHAKELAAR GW 500 A5 30-500MB	MANOSTAT GAZ GW 500 A5 30-500MB PRESOSTATO GAS GW 500 A5 30-500MB	PRESSOSTATO GAS GW 500 A5 30-500MB	1
			GASDRUCKWAECHTER GW 150 A6 10-150MB GASDRUKSCHAKELAAR GW 150 A6 10-150MB	MANOSTAT GAZ GW 150 A6 10-150MB PRESOSTATO GAS GW 150 A6 10-150MB	PRESSOSTATO GAS GW 150 A6 10-150MB	1
3130			STECKDOSE AGA64 STEKKER VROUWELIJK AGA64	PRISE FEMELLE AGA64 TOMA HEMBRA AGA64	PRESA FEMMINA AGA64	1
3140			GERAETESTECKDOSE GDMW 30-11 DF STEKKER GDMW 30-11 DF	PRISE GDMW 30-11 DF TOMA GDMW 30-11 DF	PRESA GDMW 30-11 DF	1
3300			GASFILTER GF80M-1616-A-1 RP2 1BAR GASFILTER GF80M-1616-A-1 RP2 1BAR	FILTRE GAZ GF80M-1616-A-1 RP2 1BAR FILTRO GAS GF80M-1616-A-1 RP2 1BAR	FILTRO GAS GF80M-1616-A-1 RP2 1BAR	1
3301			ERSATZTEILSET F.GASFILTER GF 80M FILTERELEMENT GF 80M	ELEMENT FILTRANT GF 80M ELEMENTO FILTRANTE GF 80M	ELEMENTO FILTRANTE GF 80M	1
3505			DICHTUNG DIN EN 1514-1 DN100 PN16 AFDICHTING DIN EN 1514-1 DN100 PN16	JOINT DIN EN 1514-1 DN100 PN16 JUNTA DIN EN 1514-1 DN100 PN16	GUARNIZIONE DIN EN 1514-1 DN100 PN16	1
3510			GASANSCHLUSSSTÜCK DN100 / R2 GASAANSLUITBUIS DN100 / R2	COLLECTEUR DN100 / R2 COLLECTOR DN100 / R2	COLLETTORE DN100 / R2	1
3580			GASVENTIL MBC1200 SE S82 RP2" 5-80 MBAR GASKLEP MBC1200 SE S82 RP2" 5-80 MBAR	VANNE GAZ MBC1200 SE S82 RP2" 5-80 MBAR VALVULA GAS MBC1200 SE S82 RP2" 5-80MBA	VALVOLA GAS MBC1200 SE S82 RP2" 5-80MBA	1
3620			FLANSCH MBC700/1200 RP2 FLENS MBC700/1200 RP2	BRIDE MBC700/1200 RP2 BRIDA MBC700/1200 RP2	FLANGIA MBC700/1200 RP2	1
3640			GASDRUCKWAECHTER GW 500 A5 30-500MB GASDRUKSCHAKELAAR GW 500 A5 30-500MB	MANOSTAT GAZ GW 500 A5 30-500MB PRESOSTATO GAS GW 500 A5 30-500MB	PRESSOSTATO GAS GW 500 A5 30-500MB	1
			GASDRUCKWAECHTER GW 150 A5 30-150MB GASDRUKSCHAKELAAR GW 150 A5 30-150MB	MANOSTAT GAZ GW 150 A5 30-150MB PRESOSTATO GAS GW 150 A5 30-150MB	PRESSOSTATO GAS GW 150 A5 30-150MB	1



		DE	FR	IT	
		NL	ES		
3650	65311615	GERAETESTECKDOSE GDMW 30-11 DF STEKKER GDMW 30-11 DF	PRISE GDMW 30-11 DF TOMA GDMW 30-11 DF	PRESA GDMW 30-11 DF	1
3700	13022417	FILTEREINSATZ F. GASVENTIL MBC1200 ZEEFFILTER/GASKLEP MBC1200	FILTRE TAMIS/VANNE GAZ MBC1200 FILTRO DE TAMIZ/VÁLVULA DE GAS MBC1200	SET FILTRI/VALVOLA GAS MBC1200	1
3800	65311459	GASFILTER GF80M-1616-A-1 RP2 1BAR GASFILTER GF80M-1616-A-1 RP2 1BAR	FILTRE GAZ GF80M-1616-A-1 RP2 1BAR FILTRO GAS GF80M-1616-A-1 RP2 1BAR	FILTRO GAS GF80M-1616-A-1 RP2 1BAR	1
3801	65311361	ERSATZTEILSET F. GASFILTER GF 80M FILTERELEMENT GF 80M	ELEMENT FILTRANT GF 80M ELEMENTO FILTRANTE GF 80M	ELEMENTO FILTRANTE GF 80M	1
4005	65311613	DICHTUNG DIN EN 1514-1 DN100 PN16 AFDICHTING DIN EN 1514-1 DN100 PN16	JOINT DIN EN 1514-1 DN100 PN16 JUNTA DIN EN 1514-1 DN100 PN16	GUARNIZIONE DIN EN 1514-1 DN100 PN16	1
4010	65311674	GASANSCHLUSSSTÜCK DN100-DN65 GASAANSLUITBUIJS DN100/DN65	COLLECTEUR DN100/DN65 COLLECTOR DN100/DN65	COLLETTORE DN100/DN65	1
	65311675	GASANSCHLUSSSTÜCK DN100-DN80 PN16 GASAANSLUITBUIJS DN100-DN80 PN16	COLLECTEUR DN100-DN80 PN16 COLECTOR DN100-DN80 PN16	COLLETTORE DN100-DN80 PN16	1
	65311676	GASANSCHLUSSSTÜCK DN100-DN100 PN16 GASAANSLUITBUIJS DN100/DN100	COLLECTEUR DN100/DN100 COLLECTOR DN100/DN100	COLLETTORE DN100/DN100	1
	65311677	GASANSCHLUSSSTÜCK DN100-DN125 GASAANSLUITBUIJS DN100/DN125	COLLECTEUR DN100/DN125 COLLECTOR DN100/DN125	COLLETTORE DN100/DN125	1
4020	65311601	GERADE-EINSCHRAUBST. P-EGES 12L/R 1/4WD RECHTE AANSLUITING P-EGES 12L/R 1/4WD	RACCORD DROIT P-EGES 12L/R 1/4WD RACOR RECTO P-EGES 12L/R 1/4WD	RACCORDO DESTRO P-EGES 12L/R 1/4WD	1
4030	65311608	WINKELANSCHLUSS (ELBGEN) P-EWV12L-SV AANSLUITING (ELLEBOOG) P-EWV12L-SV	RACCORD (COUDE) P-EWV12L-SV RACOR (CODO) P-EWV12L-SV	RACCORDO (GOMITO) P-EWV12L-SV	1
4040	65311605	KREUZVERSCHR. P-KV12L AANSLUITING P-KV12L	RACCORD P-KV12L RACOR P-KV12L	RACCORDO P-KV12L	1
4060	65311607	VERSCHLUSSTOPFEN VSD 12L/S O.M.MB. STOP VSD 12L/S O.M.MB.	BOUCHON VSD 12L/S O.M.MB. TAPÓN VSD 12L/S O.M.MB.	TAPPO VSD 12L/S O.M.MB.	1
4070	65311601	GERADE-EINSCHRAUBST. P-EGES 12L/R 1/4WD RECHTE AANSLUITING P-EGES 12L/R 1/4WD	RACCORD DROIT P-EGES 12L/R 1/4WD RACOR RECTO P-EGES 12L/R 1/4WD	RACCORDO DESTRO P-EGES 12L/R 1/4WD	1
4080	65311453	GASVENTIL VGD40 125 DN125 GASKLEP VGD40 125 DN125	VANNE GAZ VGD40 125 DN125 VALVULA GAS VGD40 125 DN125	VALVOLA GAS VGD40 125 DN125	1
	65311583	GASVENTIL VGD40 080 DN80 GASKLEP VGD40 080 DN80	VANNE GAZ VGD40 080 DN80 VALVULA GAS VGD40 080 DN80	VALVOLA GAS VGD40 080 DN80	1
	65311590	GASVENTIL VGD40 100 DN100 GASKLEP VGD40 100 DN100	VANNE GAZ VGD40 100 DN100 VALVULA GAS VGD40 100 DN100	VALVOLA GAS VGD40 100 DN100	1
	65323661	GASVENTIL VGD40 065 DN65 GASKLEP VGD40 065 DN65	VANNE GAZ VGD40 065 DN65 VALVULA GAS VGD40 065 DN65	VALVOLA GAS VGD40 065 DN65	1
4090	65107100	STELLANTRIEB SKP25.003E2 O. ENDSCHALTER REGELMOT. GAS SKP25.003E2 Z.EINDSCHALTE	SERVOMOT. GAZ SKP25.003E2 S.FIN COURSE SERVOMOTOR SKP25.003 E2 SIN FIN CARRERA	SERVOMOT. GAS SKP25.003E2 S.FINE CORSA	1
4100	65311585	ZWISCHENSTECKER AGA62.000A000 VERBINDUNGSKABEL AGA62.000A000	CABLE DE LIAISON AGA62.000A000 CABLE AGA62.000A000	CAVO DI COLLEGAMENTO AGA62.000A000	1
4110	1478836180	STELLANTRIEB SKP15.000E2 OHNE ENDSCHALT. REGELMOTOR GAS SKP15.000E2 Z.EINDSCHALTE	SERVOMOT. GAZ SKP15.000E2 SANS FIN COURSE SERVOMO. GAS SKP15.000E2 SIN FIN CARRERA	SERVOMOT. GAS SKP15.000E2 SENZ.FINE CORSA	1
4120	65311611	DICHTUNG DIN EN 1514-1 DN65/PN16 AFDICHTING DIN EN 1514-1 DN65/PN16	JOINT DIN EN 1514-1 DN65/PN16 JUNTA DIN EN 1514-1 DN65/PN16	GUARNIZIONE DIN EN 1514-1 DN65/PN16	1
	65311612	DICHTUNG DIN EN 1514-1DN 80 PN16 AFDICHTING DIN EN 1514-1DN 80 PN16	JOINT DIN EN 1514-1DN 80 PN16 JUNTA DIN EN 1514-1DN 80 PN16	GUARNIZIONE DIN EN 1514-1DN 80 PN16	1
	65311613	DICHTUNG DIN EN 1514-1 DN100 PN16 AFDICHTING DIN EN 1514-1 DN100 PN16	JOINT DIN EN 1514-1 DN100 PN16 JUNTA DIN EN 1514-1 DN100 PN16	GUARNIZIONE DIN EN 1514-1 DN100 PN16	1
	65311614	DICHTUNG DIN EN 1514-1 DN125 PN16 AFDICHTING DIN EN 1514-1 DN125 PN16	JOINT DIN EN 1514-1 DN125 PN16 JUNTA DIN EN 1514-1 DN125 PN16	GUARNIZIONE DIN EN 1514-1 DN125 PN16	1
4130	65311586	STECKDOSE AGA64 STEKKER VROUWELIJK AGA64	PRISE FEMELLE AGA64 TOMA HEMBRA AGA64	PRESA FEMMINA AGA64	1
4140	65311615	GERAETESTECKDOSE GDMW 30-11 DF STEKKER GDMW 30-11 DF	PRISE GDMW 30-11 DF TOMA GDMW 30-11 DF	PRESA GDMW 30-11 DF	1
4150	65310852	GASDRUCKWAECHTER GW 500 A5 30-500MB GASDRUKSCHAKELAAR GW 500 A5 30-500MB	MANOSTAT GAZ GW 500 A5 30-500MB PRESOSTATO GAS GW 500 A5 30-500MB	PRESSOSTATO GAS GW 500 A5 30-500MB	1
	65323022	GASDRUCKWAECHTER GW 150 A6 10-150MB GASDRUKSCHAKELAAR GW 150 A6 10-150MB	MANOSTAT GAZ GW 150 A6 10-150MB PRESOSTATO GAS GW 150 A6 10-150MB	PRESSOSTATO GAS GW 150 A6 10-150MB	1
4300	65311460	GASFILTER GF65MF-2020-A-1 DN65 1BAR GASFILTER GF65MF-2020-A-1 DN65 1BAR	FILTRE GAZ GF65MF-2020-A-1 DN65 1BAR FILTRO GAS GF65MF-2020-A-1 DN65 1BAR	FILTRO GAS GF65MF-2020-A-1 DN65 1BAR	1
	65311461	GASFILTER GF80MF-2424-A-1 DN80 1BAR GASFILTER GF80MF-2424-A-1 DN80 1BAR	FILTRE GAZ GF80MF-2424-A-1 DN80 1BAR FILTRO GAS GF80MF-2424-A-1 DN80 1BAR	FILTRO GAS GF80MF-2424-A-1 DN80 1BAR	1
	65311462	GASFILTER GF100MF-3232-A-1 DN100 1BAR GASFILTER GF100MF-3232-A-1 DN100 1BAR	FILTRE GAZ GF100MF-3232-A-1 DN100 1BAR FILTRO GAS GF100MF-3232-A-1 DN100 1BAR	FILTRO GAS GF100MF-3232-A-1 DN100 1BAR	1
	65311463	GASFILTER GF125MF-4040-A-1 DN125 1BAR GASFILTER GF125MF-4040-A-1 DN125 1BAR	FILTRE GAZ GF125MF-4040-A-1 DN125 1BAR FILTRO GAS GF125MF-4040-A-1 DN125 1BAR	FILTRO GAS GF125MF-4040-A-1 DN125 1BAR	1
4301	65311723	ERSATZTEILSET F. GASFILTER GF65MF FILTERELEMENT GF65MF	ELEMENT FILTRANT GF65MF ELEMENTO FILTRANTE GF65MF	ELEMENTO FILTRANTE GF65MF	1
	65311888	ERSATZTEILSET F. GASFILTER GF80MF FILTERELEMENT GF80MF	ELEMENT FILTRANT GF80MF ELEMENTO FILTRANTE GF80MF	ELEMENTO FILTRANTE GF80MF	1
	65311889	ERSATZTEILSET F. GASFILTER GF100MF FILTERELEMENT GF100MF	ELEMENT FILTRANT GF100MF ELEMENTO FILTRANTE GF100MF	ELEMENTO FILTRANTE GF100MF	1

		 	 	 	
	65311890	ERSATZTEILSET F.GASFILTER GF125MF FILTERELEMENT GF125MF	ELEMENT FILTRANT GF125MF ELEMENTO FILTRANTE GF125MF	ELEMENTO FILTRANTE GF125MF	1
4505	65311613	DICHTUNG DIN EN 1514-1 DN100 PN16 AFDICHTING DIN EN 1514-1 DN100 PN16	JOINT DIN EN 1514-1 DN100 PN16 JUNTA DIN EN 1514-1 DN100 PN16	GUARNIZIONE DIN EN 1514-1 DN100 PN16	1
4510	65311674	GASANSCHLUSSSTÜCK DN100-DN65 GASAANSLUITBUIJS DN100/DN65	COLLECTEUR DN100/DN65 COLLECTOR DN100/DN65	COLLETTORE DN100/DN65	1
	65311675	GASANSCHLUSSSTÜCK DN100-DN80 PN16 GASAANSLUITBUIJS DN100-DN80 PN16	COLLECTEUR DN100-DN80 PN16 COLECTOR DN100-DN80 PN16	COLLETTORE DN100-DN80 PN16	1
	65311676	GASANSCHLUSSSTÜCK DN100-DN100 PN16 GASAANSLUITBUIJS DN100/DN100	COLLECTEUR DN100/DN100 COLLECTOR DN100/DN100	COLLETTORE DN100/DN100	1
4520	65311601	GERADE-EINSCHRAUBST.P-EGES 12L/R 1/4WD RECHTE AANSLUITING P-EGES 12L/R 1/4WD	RACCORD DROIT P-EGES 12L/R 1/4WD RACOR RECTO P-EGES 12L/R 1/4WD	RACCORDO DESTRO P-EGES 12L/R 1/4WD	1
4530	65311344	T-VERSCHRAUBUNG P-TV 12 L T-STUK P-TV 12 L	RACCORD EN T P-TV 12 L RACOR EN T P-TV 12 L	RACCORDO A T P-TV 12 L	1
4560	65311607	VERSCHLUSSTOPFEN VSD 12L/S O.M.MB. STOP VSD 12L/S O.M.MB.	BOUCHON VSD 12L/S O.M.MB. TAPÓN VSD 12L/S O.M.MB.	TAPPO VSD 12L/S O.M.MB.	1
4580	65311844	GASVENTIL MBC1900 SE DN65 40-80MBAR GASKLEP MBC1900 SE DN65 40-80MBAR	VANNE GAZ MBC1900 SE DN65 40-80MBAR VALVULA GAS MBC1900SE DN65 40-80MBAR	VALVOLA GAS MBC1900 SE DN65 40-80MBAR	1
	65311845	GASVENTIL MBC3100 SE DN80 40-80 MBAR GASKLEP MBC3100 SE DN80 40-80 MBAR	VANNE GAZ MBC3100 SE DN80 40-80 MBAR VALVULA GAS MBC3100 SE DN80 40-80 MBAR	VALVOLA GAS MBC3100 SE DN80 40-80 MBAR	1
	65311846	GASVENTIL MBC5000 SE DN100 40-80 MBAR GASKLEP MBC5000 SE DN100 40-80 MBAR	VANNE GAZ MBC5000 SE DN100 40-80 MBAR VALVULA GAS MBC5000 SE DN100 40-80 MBAR	VALVOLA GAS MBC5000 SE DN100 40-80 MBAR	1
4620	65311611	DICHTUNG DIN EN 1514-1 DN65/PN16 AFDICHTING DIN EN 1514-1 DN65/PN16	JOINT DIN EN 1514-1 DN65/PN16 JUNTA DIN EN 1514-1 DN65/PN16	GUARNIZIONE DIN EN 1514-1 DN65/PN16	1
	65311612	DICHTUNG DIN EN 1514-1DN 80 PN16 AFDICHTING DIN EN 1514-1DN 80 PN16	JOINT DIN EN 1514-1DN 80 PN16 JUNTA DIN EN 1514-1DN 80 PN16	GUARNIZIONE DIN EN 1514-1DN 80 PN16	1
	65311613	DICHTUNG DIN EN 1514-1 DN100 PN16 AFDICHTING DIN EN 1514-1 DN100 PN16	JOINT DIN EN 1514-1 DN100 PN16 JUNTA DIN EN 1514-1 DN100 PN16	GUARNIZIONE DIN EN 1514-1 DN100 PN16	1
4640	65310852	GASDRUCKWAECHTER GW 500 A5 30-500MB GASDRUKSCHAKELAAR GW 500 A5 30-500MB	MANOSTAT GAZ GW 500 A5 30-500MB PRESOSTATO GAS GW 500 A5 30-500MB	PRESSOSTATO GAS GW 500 A5 30-500MB	1
	65323022	GASDRUCKWAECHTER GW 150 A6 10-150MB GASDRUKSCHAKELAAR GW 150 A6 10-150MB	MANOSTAT GAZ GW 150 A6 10-150MB PRESOSTATO GAS GW 150 A6 10-150MB	PRESSOSTATO GAS GW 150 A6 10-150MB	1
4650	65311615	GERAETESTECKDOSE GDMW 30-11 DF STEKKER GDMW 30-11 DF	PRISE GDMW 30-11 DF TOMA GDMW 30-11 DF	PRESA GDMW 30-11 DF	1
4800	65311460	GASFILTER GF65MF-2020-A-1 DN65 1BAR GASFILTER GF65MF-2020-A-1 DN65 1BAR	FILTRE GAZ GF65MF-2020-A-1 DN65 1BAR FILTRO GAS GF65MF-2020-A-1 DN65 1BAR	FILTRO GAS GF65MF-2020-A-1 DN65 1BAR	1
	65311461	GASFILTER GF80MF-2424-A-1 DN80 1BAR GASFILTER GF80MF-2424-A-1 DN80 1BAR	FILTRE GAZ GF80MF-2424-A-1 DN80 1BAR FILTRO GAS GF80MF-2424-A-1 DN80 1BAR	FILTRO GAS GF80MF-2424-A-1 DN80 1BAR	1
	65311462	GASFILTER GF100MF-3232-A-1 DN100 1BAR GASFILTER GF100MF-3232-A-1 DN100 1BAR	FILTRE GAZ GF100MF-3232-A-1 DN100 1BAR FILTRO GAS GF100MF-3232-A-1 DN100 1BAR	FILTRO GAS GF100MF-3232-A-1 DN100 1BAR	1
4801	65311723	ERSATZTEILSET F.GASFILTER GF65MF FILTERELEMENT GF65MF	ELEMENT FILTRANT GF65MF ELEMENTO FILTRANTE GF65MF	ELEMENTO FILTRANTE GF65MF	1
	65311888	ERSATZTEILSET F.GASFILTER GF80MF FILTERELEMENT GF80MF	ELEMENT FILTRANT GF80MF ELEMENTO FILTRANTE GF80MF	ELEMENTO FILTRANTE GF80MF	1
	65311889	ERSATZTEILSET F.GASFILTER GF100MF FILTERELEMENT GF100MF	ELEMENT FILTRANT GF100MF ELEMENTO FILTRANTE GF100MF	ELEMENTO FILTRANTE GF100MF	1
5002	65312445	FEUERUNGSAUT. BT320 BASISEINSTELL. BRANDERAUT. BT320 BASIS AFSTELLING	COFFRET BT320 REGLAGE DE BASE PROGRAMADOR BT320 CONFIGUR. BÁSICA	APPARECCH. BT320 REGOL. BASE	1
	65312446	FEUERUNGSAUT. BT330 BASISEINSTELL. BRANDERAUT. BT330 BASIS AFSTELLING	COFFRET BT330 REGLAGE DE BASE PROGRAMADOR BT330 CONFIGUR. BÁSICA	APPARECCH. BT330 REGOL. BASE	1
	65312448	FEUERUNGSAUT. BT320 SPEZIAL EINSTELL. BRANDERAUT. BT320 SPECIAL. AFSTELLING	COFFRET BT320 REGLAGE SPECIFIQUE PROGRAMADOR BT320 CONFIG. ESPECÍFICA	APPARECCH. BT320 REGOL. SPEZIAL.	1
	65312449	FEUERUNGSAUT. BT330 SPEZIAL EINSTELL. BRANDERAUT. BT330 SPECIAL. AFSTELLING	COFFRET BT330 REGLAGE SPECIFIQUE PROGRAMADOR BT330 CONFIG. ESPECÍFICA	APPARECCH. BT330 REGOL. SPEZIAL.	1
	65312452	FEUERUNGSAUT. BT320 G-E,EU3,EF3(FQZ.UM.) BRANDERAUT. BT320 G-E,G-EU3,G-EF3(+FQ.O.)	COFFRET BT320 G-E,G-EU3,G-EF3(+REG.FRQ.) PROGR.BT320 G-E,G-EU3,G-EF3(+CONV.FREQ.)	APPAREC.BT320 G-E, G-EU3,G-EF3(+VARIAT.)	1
5010	65311362	PRUEFBR.M.DRUCKKNOPFHahn PB2 PROEFBRANDER MET DRUKKNOP PB2	BRULEUR ESSAI AVEC B. POUSSOIR PB2 QUEMADOR DE PRUEBA CON PULSADOR PB2	BRUCIATORE DI PROVA CON PULSANTE PB2	1
5015	65311790	LCM100 MODUL (LSB-M 667R0500-1) LCM100-MODULE (LSB-M 667R0500-1)	MODULE LCM100 (LSB-M 667R0500-1) MÓDULO LCM100 (LSB-M 667R0500-1)	MODULO LCM100 (LSB-M 667R0500-1)	1
5020	65311918	VSM100 MODUL VMS100-MODULE	MODULE VSM100 MÓDULO VSM100	MODULO VSM100	1
5035	65312550	IND. NÄHERUNGSSCHALTER NAMUR NI5-G12-Y1 SENSOR NAMUR NI5-G12-Y1	CAPTEUR NAMUR NI5-G12-Y1 SENSOR NAMUR NI5-G12-Y1	SENSORE NAMUR NI5-G12-Y1	1
5300	65114033	UNIVERSALREGLER RWF 55.50A9 REGELAAR RWF 55.50A9	REGULATEUR RWF 55.50A9 REGULADOR RWF 55.50A9	REGOLATORE RWF 55.50A9	1
5500	65312274	FOTIZELLE FFS08-UV1 659D31 - 5M W/O FOTOCEL FFS08-UV1 659D31 - 5M W/O	CELLULE FFS08-UV1 659D31 - 5M W/O CELULA FFS08-UV1 659D31 - 5M W/O	CELLULA FFS08-UV1 659D31 - 5M W/O	1

		RU		PT		PL		X
		TR						
1040	65311665	ВОЗДУХОЗАБОРНИК D332x127,5 HAVA GIRIŞ D332x127,5		ENTRADA DE AR D332x127,5		WLOT POWIETRZA D332x127,5		1
	65311672	ВОЗДУХОЗАБОРНИК D318x134 HAVA GIRIŞ D318x134		ENTRADA DE AR D318x134		WLOT POWIETRZA D318x134		1
	65311673	ВОЗДУХОЗАБОРНИК D288x127 HAVA GIRIŞ D288x127		ENTRADA DE AR D288x127		WLOT POWIETRZA D288x127		1
	65311715	ВОЗДУХОЗАБОРНИК D344x126 HAVA GIRIŞ D344x126		ENTRADA DE AR D344x126		WLOT POWIETRZA D344x126		1
1050	1180603227	БЕСЦВЕТ. ГЛАЗОК ДЛЯ КОНТРОЛЯ ПЛАМЕНИ RENKSİZ GÖZETLEME CAMI D55X21		VIGIA INCOLOR D55X21		WZIERNIK BEZBARWNA D55X21		1
1060	1188052260	ГЛАЗОК ДЛЯ КОНТРОЛЯ ПЛАМЕНИ КОРОБ KARAK/GÖZETLEME CAMI D55X61		TAMPA VIGIA D55X61		POKRYWA/WZIERNIK D55X61		1
1065	65312849	ШКАЛУ-ИНДИКАТОР ХОДА ЕКЕВО 8/9 INDICATÖR İSKALA EKEVO 8/9		INDICADOR AJUST. CON ESCALA EKEVO 8/9		WSKAŹNIK + SKALI EKEVO 8/9		1
1070	1180559591	ГАЙКА/ГЛАЗОК ДЛЯ КОНТРОЛЯ ПЛАМЕНИ SOMUN/GÖZETLEME CAMI M48X1,5 SW60		PARAFUSO VIGIA M48X1,5 SW60		NAKRĘTKA/WZIERNIK M48X1,5 SW60		1
1075	65312851	ОСЬ ЗАСЛОНКИ УКАЗАТЕЛЯ ЕКЕВО 8/9 GÖSTERGE KLAPE AKSI EKEVO 8/9		VEIO ALETA AR COM PONTEIRO EKEVO 8/9		OS PRZEPUSTNICY WSKAZNIK EKEVO 8/9		1
1076	65312854	ОСЬ ЗАСЛОНКИ СЕРВОДВИГАТЕЛЬ ЕКЕВО8/9G GÖSTERGE KLAPE AKSI SERVOMOT. EKEVO8/9G		VEIO ALETA AR ACTUADOR EKEVO8/9G		OS PRZEPUSTNICY SERWOMOTOR EKEVO8/9G		1
1080	65311670	РАБОЧЕЕ КОЛЕСО D556/320X86 d42 TÜRBİN D556/320X86 d42		TURBINA D556/320X86 d42		WIMIK D556/320X86 d42		1
	65311716	РАБОЧЕЕ КОЛЕСО D533/290X83 d42 TÜRBİN D533/290X83 d42		TURBINA D533/290X83 d42		WIMIK D533/290X83 d42		1
	65311717	РАБОЧЕЕ КОЛЕСО D590/334X92 d42 TÜRBİN D590/334X92 d42		TURBINA D590/334X92 d42		WIMIK D590/334X92 d42		1
	65311718	РАБОЧЕЕ КОЛЕСО D600/346X93 d48 TÜRBİN D600/346X93 d48		TURBINA D600/346X93 d48		WIMIK D600/346X93 d48		1
1090	65311471	ТРАНСФО РОЗЖИГА ЕБИ 1X11 230V ATEŞLEME TRAFÖ. EBI 1X11 230V		TRANSFO IGNIÇÃO EBI 1X11 230V		TRANSFO ZAPŁONOWY EBI 1X11 230V		1
1100	65311472	ЗЕРКАЛО/ГЛАЗОК ДЛЯ КОНТРОЛЯ ПЛАМЕНИ AYNA/GÖZETLEME CAMI		ESPELHO/VIGIA		LUSTRO/WZIERNIK		1
1110	65311595	РЕЛЕ ДАВ. ВОЗДУХА LGW 50 A2P 2,5-50MB HAVA BASINÇ ŞALT. LGW 50 A2P 2,5-50MB		PRESSOSTATO AR LGW 50 A2P 2,5-50MB		CZUJNIK CIŚ. POW. LGW 50 A2P 2,5-50MB		1
1120	65312855	ГАЗОВЫЙ КЛАПАН+СЕРВОДВИГАТЕЛЬ В СБОРЕ GAZ KLAPESİ+KOMPLE SERVO MOTOR		VÁLVULA DE GÁS + ATUADOR COMPLETO		ZAWÓR GAZU+SERWOMOTOR KOMPLETNY		1
1121	65312853	ГАЗОВЫЙ КЛАПАН RP4 STE4,5 3N-STM30+O'RG GAZ KLAPESİ RP4 STE4,5 3N-STM30+O'RING		VÁLVULA GÁS RP4 STE4,5 3N-STM30+O'RING		ZAWÓR GAZU.RP4 STE4,5 3N-STM30+O'RING		1
1122	65323999	O-RING NBR 8475 (120,00x6,99) O-RING NBR 8475 (120,00x6,99)		O-RING NBR 8475 (120,00x6,99)		O-RING NBR 8475 (120,00x6,99)		1
1150	65311650	СЕРВОДВИГАТЕЛЬ STE 4,5 BT3XX SERVOMOTOR STE 4,5 BT3XX		SERVOMOTOR STE 4,5 BT3XX		SERWOMOTOR STE 4,5 BT3XX		1
1160	65311650	СЕРВОДВИГАТЕЛЬ STE 4,5 BT3XX SERVOMOTOR STE 4,5 BT3XX		SERVOMOTOR STE 4,5 BT3XX		SERWOMOTOR STE 4,5 BT3XX		1
1170	65326333	ЭЛЕКТРОДВИГАТЕ. 11KW 400/690 D42 IE3 BK MOTORU 11KW 400/690V D42 IE3 ELV BLACK		MOTOR 11KW 400/690V D42 IE3 ELV NEGRO		SILNIK 11KW 400/690V D42 IE3 ELV BLACK		1
	65326334	ЭЛЕКТРОДВИГАТЕ. 15KW 400/690V D42 IE3 BK MOTORU 15KW 400/690V D42 IE3 ELV BLACK		MOTOR 15KW 400/690V D42 IE3 ELV NEGRO		SILNIK 15KW 400/690V D42 IE3 ELV BLACK		1
	65326335	ЭЛЕКТРОДВИГА. 18,5KW 400/690V D42 IE3 BK MOTORU 18,5KW 400/690V D42 IE3 ELV BLACK		MOTOR 18,5KW 400/690V D42 IE3 ELV NEGRO		SILNIK 18,5KW 400/690V D42 IE3 ELV BLACK		1
	65326336	ЭЛЕКТРОДВИГАТЕ. 22KW 400/690V D48 IE3 BK MOTORU 22KW 400/690V D48 IE3 ELV BLACK		MOTOR 22KW 400/690V D48 IE3 ELV NEGRO		SILNIK 22KW 400/690V D48 IE3 ELV BLACK		1
1171	65311933	САЛБНИК M32X1,5 KABLO BEZİ M32X1,5		PRENSAESTOPAS M32X1,5		DŁAWNICA M32X1,5		1
	65311934	САЛБНИК M40X1,5 KABLO BEZİ M40X1,5		PRENSAESTOPAS M40X1,5		DŁAWNICA M40X1,5		1
1172	65312850	ТЕРМИНАЛ ВИНТ РАСШИРЕНИЕ M32-M40 KABLO BEZİ UZANTISI M32-M40		EXTENSAO PRENSAESTOPAS M32-M40		PRZEDŁUŻENIE DŁAWIK M32-M40		1
1200	65312856	ВОЗДУШНАЯ ЗАСЛОНКА В СБОРЕ ЕКЕВО8/9 DONANIMLI HAVA KLAPESİ EKEVO8/9		CONJUNTO ALETA DE AR EKEVO8/9		PRZEPUSTNICA POWIETR. Z OSPR.EKEVO8/9		1
1400	65312848	ЗУБЧАТОЕ КОЛЕСО Z=100 M=1 BO=12MM ЕКЕВО8/9 DIŞLI ÇARK Z=100 M=1 BO=12MM EKEVO8/9		RODA DENTADA Z=100 M=1 BO=12MM EKEVO8/9		KOŁO ZĘBATE Z=100 M=1 BO=12MM EKEVO8/9		1
1510	65312340	ЧЕХОЛ ЭЛЕКТРОННОГО ЩИТА ELEKTRİK MUHAFAZA KAPAĞI		TAMPA DO ARMÁRIO ELÉTRICO		POKRYWA URZĄDZEŃ ELEKTRYCZNYCH		1
1512	65312338	ЗАГЛУШКА/РЕГУЛЯТОР 92X45 IP54 ÖBTÜRATOER/REGÜLATÖR 92X45 IP54		TAMPA CEGA/CONTROLADOR 92X45 IP54		ZASŁEPKA/REGULATOR 92X45 IP54		1
1520	65300975	ДИСПЛЕЙ FOR БЛОК УПРАВЛЕНИЯ BT3XX EKRAN KUTU BT3XX		VISOR UNIDADE DE CONTROLE BT3XX		WYŚWIETLACZ MODUŁ BT3XX		1
1525	65311364	УПЛОТНИТЕЛЬНАЯ ПРОКЛАДКА/ДИСПЛЕЙ CONTA/EKRAN		JUNTA/VISOR		USZCZELKA/WYŚWIETLACZ		1
1530	65312451	БЛОК УПРАВЛЕНИЯ BT320 G-E, G-EU3, G-EF3 KUTU BT320 G-E, G-EU3, G-EF3		UNIDADE CONTROLE BT320 G-E, G-EU3		MODUŁ BT320 G-E, G-EU3, G-EF3		1

		 	 	 	
1580	65311798	РАЗЪЕДИНИТ. ЭЛЕКТРОДВИ. 15kW GV2ME32 DEVRE KESİCİ MOTOR 15kW GV2ME32	DISJUNTOR MOTOR 15kW GV2ME32	WYŁĄCZNIKI SILNIK 15kW GV2ME32	1
	65311917	РАЗЪЕДИНИТ. ЭЛЕКТРОДВИ. 22kW GV3P50 DEVRE KESİCİ MOTOR 22kW GV3P50	DISJUNTOR MOTOR 22kW GV3P50	WYŁĄCZNIKI SILNIK 22kW GV3P50	1
	65312018	РАЗЪЕДИНИТ. ЭЛЕКТРОДВИ. 11kW GV2ME22 DEVRE KESİCİ MOTOR 11kW GV2ME22	DISJUNTOR MOTOR 11kW GV2ME22	WYŁĄCZNIKI SILNIK 11kW GV2ME22	1
	65312019	РАЗЪЕДИНИТ. ЭЛЕКТРОДВИ. 18,5kW GV3P40 DEVRE KESİCİ MOTOR 18,5kW GV3P40	DISJUNTOR MOTOR 18,5kW GV3P40	WYŁĄCZNIKI SILNIK 18,5kW GV3P40	1
1585	65311795	ВСПОМОГАТЕЛЬНЫЙ ПЕРЕКЛЮЧАТЕЛЬ GVAE11 YARDIMCI ANAHTARI GVAE11	INTERRUPTOR AUXILIAR GVAE11	PRZEŁĄCZNIK POMOCNICZY GVAE11	1
1595	65311796	ПУСКАТЕЛЬ ДВИГАТЕЛЯ Y/D 18kW LC3D18AP7 MARŞ MOTORU Y/D 18kW LC3D18AP7	ARRANCADOR MOTOR Y/D 18kW LC3D18AP7	ROZRUSZ. SILNIKA Y/D 18kW LC3D18AP7	1
	65311797	ПУСКАТЕЛЬ ДВИГАТЕЛЯ Y/D 22kW LC3D32AP7 MARŞ MOTORU Y/D 22kW LC3D32AP7	ARRANCADOR MOTOR Y/D 22kW LC3D32AP7	ROZRUSZ. SILNIKA Y/D 22kW LC3D32AP7	1
	65312015	ПУСКАТЕЛЬ ДВИГАТЕЛЯ Y/D 11kW LC3D12AP7 MARŞ MOTORU Y/D 11kW LC3D12AP7	ARRANCADOR MOTOR Y/D 11kW LC3D12AP7	ROZRUSZ. SILNIKA Y/D 11kW LC3D12AP7	1
1600	65312334	СИГНАЛЬНАЯ ЛАМПА ЭЛЕКТРОННОГО ЩИТА İKAZ IŞIĞI ELEKTRİK MUHAFAZA	LUZ INDICADORA DO ARMÁRIO ELÉTRICO	LAMPKA KONTROLNA URZĄDZEŃ ELEKTRY.	1
1601	65312335	ПЕРЕКЛЮЧАТЕЛЬ 2 ПОЗ. ANAHTARI İKİ POZİSYONLU	INTERRUPTOR 2 POS.	PRZEŁĄCZNIK 2 POZ.	1
1602	65312336	ПЕРЕКЛЮЧАТЕЛЬ 3 ПОЗ. ANAHTARI ÜÇ POZİSYONLU	INTERRUPTOR 3 POS.	PRZEŁĄCZNIK 3 POZ.	1
1604	65312337	ПЕРЕКЛЮЧАТЕЛЬ 2 ПОЗ. МОМЕНТ. СНИМОК ANAHTARI İKİ POZİSYONLU ANINDA	INTERRUPTOR MOMENTÂNEO 2 POS.	PRZEŁĄCZNIK 2 POZ. MIGAWKA	1
1605	65312341	ЗАГЛУШКА/ЧЕХОЛ ЭЛЕКТРОННОГО ЩИТА ÖBTÜRATOER/ELEKTR. MUHAFAZA KAPAĞI	TAMPA CEGA/TAMPA DO ARMÁRIO ELÉTRICO	ZASŁEPKA/POKRYWA URZĄDZEŃ ELEKTR.	1
1610	65311758	ТЕРМИНАЛ ВИНТ M20 VIDALI TERMINAL M20	TERMINAL DE APARAFUSAR M20	ZACISKI ŚRUBOWE M20	1
1611	65311451	ТЕРМИНАЛ ВИНТ M16 VIDALI TERMINAL M16	TERMINAL DE APARAFUSAR M16	ZACISKI ŚRUBOWE M16	1
1612	65312852	КАБЕЛЬНЫЙ ВВОД CLICK M25 KABLO BEZİ CLICK M25	PRENSAESTOPAS CLICK M25	DŁAWNICA CLICK M25	1
1700	65311446	ИНСТРУМЕНТЫ 2009-309 İŞLETİM ARAC 2009-309	FERRAMENTA 2009-309	NARZĘD. D.PRZEŁĄCZANIA 2009-309	1
2020	65311656	СОПЛО ГОРЕЛКИ D369/303 L555 DELTA BRÜLÖR BORUSU D369/303 L555 DELTA	TUBO DO QUEIMADOR D369/303 L555 DELTA	RURA PALNIKA D369/303 L555 DELTA	1
	65311661	СОПЛО ГОРЕЛКИ D431,5/362 L605 DELTA BRÜLÖR BORUSU D431,5/362 L605 DELTA	TUBO DO QUEIMADOR D431,5/362 L605 DELTA	RURA PALNIKA D431,5/362 L605 DELTA	1
	65312006	СОПЛО ГОРЕЛКИ D369/303 L695 DELTA BRÜLÖR BORUSU D369/303 L695 DELTA	TUBO DO QUEIMADOR D369/303 L695 DELTA	RURA PALNIKA D369/303 L695 DELTA	1
	65312007	СОПЛО ГОРЕЛКИ D369/303 L835 DELTA BRÜLÖR BORUSU D369/303 L835 DELTA	TUBO DO QUEIMADOR D369/303 L835 DELTA	RURA PALNIKA D369/303 L835 DELTA	1
	65312011	СОПЛО ГОРЕЛКИ D431,5/362 L755 DELTA BRÜLÖR BORUSU D431,5/362 L755 DELTA	TUBO DO QUEIMADOR D431,5/362 L755 DELTA	RURA PALNIKA D431,5/362 L755 DELTA	1
	65312012	СОПЛО ГОРЕЛКИ D431,5/362 L905 DELTA BRÜLÖR BORUSU D431,5/362 L905 DELTA	TUBO DO QUEIMADOR D431,5/362 L905 DELTA	RURA PALNIKA D431,5/362 L905 DELTA	1
2110	65311651	ДЕФЛЕКТОР D308/130 TKD230 45° DEFLEKTOR D308/130 TKD230 45°	DEFLECTOR D308/130 TKD230 45°	DEFLEKTOR D308/130 TKD230 45°	1
	65311655	ДЕФЛЕКТОР D328/130 TKD230 45° DEFLEKTOR D328/130 TKD230 45°	DEFLECTOR D328/130 TKD230 45°	DEFLEKTOR D328/130 TKD230 45°	1
	65311681	ДЕФЛЕКТОР D270/130 TKD230 45° DEFLEKTOR D270/130 TKD230 45°	DEFLECTOR D270/130 TKD230 45°	DEFLEKTOR D270/130 TKD230 45°	1
	65311682	ДЕФЛЕКТОР D290/130 TKD230 45° DEFLEKTOR D290/130 TKD230 45°	DEFLECTOR D290/130 TKD230 45°	DEFLEKTOR D290/130 TKD230 45°	1
2120	1688611605	ЗАГЛУШКА D12/30X40 KEPENK D12/30X40	OBTURADOR D12/30X40	ZASŁEPKA D12/30X40	1
2130	65311692	ГАЗОВЫЕ ДИФФУЗОРЫ D40X2,2X90 GAZ DIFÜZÖRLER D40X2,2X90	DIFUSOR GAS D40X2,2X90	DYSZ GAZU D40X2,2X90	1
	65311704	ГАЗОВЫЕ ДИФФУЗОРЫ D40X2,2X45GR GAZ DIFÜZÖRLER D40X2,2X45GR	DIFUSOR GAS D40X2,2X45GR	DYSZ GAZU D40X2,2X45GR	1
	65311708	ГАЗОВЫЕ ДИФФУЗОРЫ D40X2,2X50 GAZ DIFÜZÖRLER D40X2,2X50	DIFUSOR GAS D40X2,2X50	DYSZ GAZU D40X2,2X50	1
2140	1688611763	ГАЗОВЫЕ ДИФФУЗОРЫ D30X50 45GR. GAZ DIFÜZÖRLER D30X50 45GR.	DIFUSOR GAS D30X50 45GR.	DYSZ GAZU D30X50 45GR.	1
	65311653	ГАЗОВЫЕ ДИФФУЗОРЫ D30X60 45GR. GAZ DIFÜZÖRLER D30X60 45GR.	DIFUSOR GAS D30X60 45GR.	DYSZ GAZU D30X60 45GR.	1
	65311696	ГАЗОВЫЕ ДИФФУЗОРЫ D30X2 45 L80 GAZ DIFÜZÖRLER D30X2 45 L80	DIFUSOR GAS D30X2 45 L80	DYSZ GAZU D30X2 45 L80	1
	65311711	ГАЗОВЫЕ ДИФФУЗОРЫ D30X45 45GR. GAZ DIFÜZÖRLER D30X45 45GR.	DIFUSOR GAS D30X45 45GR.	DYSZ GAZU D30X45 45GR.	1
2150	65310279	ТРУБКА ГАЗОВЫЕ D35X2,2X360 2XM5 GAZ TUPLU D35X2,2X360 2XM5	TUBO GAS D35X2,2X360 2XM5	BORUSU GAZOWY D35X2,2X360 2XM5	1

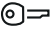

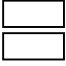
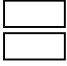




					
	RU	TR	PT	PL	X
	65311710	ТРУБКА ГАЗОВЫЕ D35X2,2X360 GAZ TUPLU D35X2,2X360	TUBO GAS D35X2,2X360	BORUSU GAZOWY D35X2,2X360	1
2160	65310278	ТРУБКА ГАЗОВЫЕ D35X2,2X360 1XM5 GAZ TUPLU D35X2,2X360 1XM5	TUBO GAS D35X2,2X360 1XM5	BORUSU GAZOWY D35X2,2X360 1XM5	1
	65311709	ТРУБКА ГАЗОВЫЕ D35X2,2X360 GAZ TUPLU D35X2,2X360	TUBO GAS D35X2,2X360	BORUSU GAZOWY D35X2,2X360	1
2170	65311693	ГАЗОВЫЕ ДИФУЗОРЫ D30X2/D12X1 L93 GAZ DIFÜZÖRLER D30X2/D12X1 L93	DIFUSOR GAS D30X2/D12X1 L93	DYSZ GAZU D30X2/D12X1 L93	1
	65312013	ГАЗОВЫЕ ДИФУЗОРЫ D30x2/D12x1 L73 GAZ DIFÜZÖRLER D30x2/D12x1 L73	DIFUSOR GAS D30x2/D12x1 L73	DYSZ GAZU D30x2/D12x1 L73	1
2180	65311712	ГАЗОВЫЙ ТРУБКА D35x2.2x45GR. GAZ TUPLU D35x2.2x45GR.	TUBO GAS D35x2.2x45GR.	BORUSU GAZOWY D35x2.2x45GR.	1
2190	65311691	ДАТЧИК ИОНИЗА. D11X110 d6,4 D2,5X95 45° İYONIZASYON SONDA D11X110d6,4d2,5X95 45°	SONDA IONIZACION D11X110 d6,4D2,5X95 45°	SONDA JONIZACYJNY D11X110d6,4d2,5X95 45°	1
	65311694	ДАТЧИК ИОНИЗА. D11X110 d6,4 D2,5X130 45° İYONIZA. SONDA D11X110 d6,4 D2,5X130 45°	SONDA IONIZACION D11X110d6,4D2,5X130 45°	SONDA JONIZAC. D11X110 d6,4 D2,5X130 45°	1
2200	172877751	РОЗЖИГОВЫЙ КАБЕЛЬ СИЛИКОНОВЫЙ L1500 ATEŞLEME KABLOSU SILIKON L1500	CABO DE IGNIÇÃO SILICONE C.1500	PRZEWÓD ZAPŁONOWY SILIKON L1500	1
2210	65311662	ДЕРЖАТЕЛЬ ЭЛЕКТРОД DESTEĞİ ELEKTROD	SUPORTE ELETRODO	WSPORNIK ELEKTRODA	1
2225	65311662	ДЕРЖАТЕЛЬ ЭЛЕКТРОД DESTEĞİ ELEKTROD	SUPORTE ELETRODO	WSPORNIK ELEKTRODA	1
	65311695	ДЕРЖАТЕЛЬ ЭЛЕКТРОД (ПОДОЛГУ) DESTEĞİ ELEKTROD (UZUN)	SUPORTE ELETRODO (LONGO)	WSPORNIK ELEKTRODA (DŁUGI)	1
2230	65311690	ЭЛЕКТРОД ЗАЖИ. D11X100D6,4D2,5X150 45° ATEŞLEYİCİ ELEKT.D11X100D6,4D2,5X150 45°	ELETRODO ENC. D11X100 d6,4 D2,5X150 45°	ELEKTRODA ALU. D11X100 d6,4 D2,5X150 45°	1
2250	65311713	ПРОКЛАДКА ДЛЯ ОВАЛЬНОГО ФЛАНЦА DN100 CONTASI OVAL FLANŞ İÇİN DN100	GAXETA PARA FLANGE OVAL DN100	USZCZELKA ZA KOŁNIERZ OWALNY DN100	1
3005	65311613	УПЛОТНИТ. ПРОКЛАДКА DIN EN 1514-1 DN100 CONTA DIN EN 1514-1 DN100 PN16	JUNTA DIN EN 1514-1 DN100 PN16	USZCZELKA DIN EN 1514-1 DN100 PN16	1
3010	65311678	КОЛЛЕКТОР DN100-R2Z 2G1/4 PN16 MANIFOLD DN100-R2Z 2G1/4 PN16	COLETOR DN100-R2Z 2G1/4 PN16	KOLEKTOR DN100-R2Z 2G1/4 PN16	1
3020	65311606	ПРЯМОЙ ШТУЦЕР P-GEV 8LR-WD-VI SAĞ RAKOR P-GEV 8LR-WD-VI	UNIÃO DIREITA P-GEV 8LR-WD-VI	ZŁĄCZE PRAWO P-GEV 8LR-WD-VI	1
3030	65311604	УГЛОВОЙ ШТУЦЕР P-EWV 8-L DIRSEKLI RAKOR P-EWV 8-L	UNIÃO COTOVELO P-EWV 8-L	ZŁĄCZKA TYPU KOLANKO P-EWV 8-L	1
3040	65311579	ШТУЦЕР ОТБОРА ДАВЛЕНИЯ R1/4Z+УПЛОТ. BASINÇ GIRIŞİ R1/4Z+CONTA	TOMADA DE PRESSÃO R1/4Z+JUNTA	GNIĄZ. POMIARU CIŚNIEN. R1/4Z+USZCZEL	1
3060	65311581	ГАЗОВЫЙ КЛАПАН VGD20 5011 RP2" GAZ VANASI VGD20 5011 RP2"	VALVULA GAS VGD20 5011 RP2"	ZAWÓR GAZOWY VGD20 5011 RP2"	1
3070	65107100	СЕРВОДВИГАТЕЛЬ SKP25.003 E2 БЕЗ КОНЦЕВЫ SERVOMOTOR SKP 25.003 E2 LIMIT ANAHTAR	SERVOMOT. GÁS SKP25.003 E2 SEM FIM CURSO	SERWOSILNIK SKP25.003E2 BEZ WYŁĄCZNIKI	1
3080	65311585	СОЕДИНИТЕЛЬНЫЙ КАБЕЛЬ AGA62.000A000 BAĞLANTI KABLOSU AGA62.000A000	CABO DE LIGAÇÃO AGA62.000A000	PRZEWÓD POŁĄCZENIOWY AGA62.000A000	1
3090	1478836180	СЕРВОДВИГАТЕЛЬ SKP15.000E2 БЕЗ КОНЦЕВЫ SERVOMOTOR SKP15.000E2 LIMIT ANAHTAR	SERVOMOTOR GAS SKP15.000E2 SEM FIM CURSA	SERWOSILNIK SKP15.000E2 BEZ WYŁĄCZNIKI	1
3110	65311377	ФЛАНЕЦ AGF10.50 RP2 FLANŞI AGF10.50 RP2	FLANGE AGF10.50 RP2	KOŁNIERZ AGF10.50 RP2	1
3120	65310852	РЕЛЕ ДАВ. ВОЗДУХА GW 500 A5 30-500MB GAZ BASINÇ ŞALT. GW 500 A5 30-500MB	PRESSOSTATO GÁS GW 500 A5 30-500MB	CZUJNIK CIŚ. GAZU GW 500 A5 30-500MB	1
	65323022	РЕЛЕ ДАВ. ВОЗДУХА GW 150 A6 10-150MB GAZ BASINÇ ŞALT. GW 150 A6 10-150MB	PRESSOSTATO GAS GW 150 A6 10-150MB	CZUJNIK CIŚ. GAZU GW 150 A6 10-150MB	1
3130	65311586	ГНЕЗДОВОЙ РАЗЪЕМ AGA64 DİŞİ PRIZ AGA64	TOMADA FÉMEA AGA64	GNIĄZDO AGA64	1
3140	65311615	РАЗЪЕМ GDMW 30-11 DF PRIZ GDMW 30-11 DF	TOMADA GDMW 30-11 DF	GNIĄZDO GDMW 30-11 DF	1
3300	65311459	ГАЗОВЫЙ ФИЛЬТР GF80M-1616-A-1 RP2 1BAR GAZ FILTR. GF80M-1616-A-1 RP2 1BAR	FILTRO GÁS GF80M-1616-A-1 RP2 1BAR	FILTR GAZU GF80M-1616-A-1 RP2 1BAR	1
3301	65311361	ФИЛЬТРУЮЩИЙ ЭЛЕМЕНТ GF 80M FILTRE ELEMANI GF 80M	ELEMENTO FILTRANTE GF 80M	WKŁAD FILTRA GF 80M	1
3505	65311613	УПЛОТНИТ. ПРОКЛАДКА DIN EN 1514-1 DN100 CONTA DIN EN 1514-1 DN100 PN16	JUNTA DIN EN 1514-1 DN100 PN16	USZCZELKA DIN EN 1514-1 DN100 PN16	1
3510	65311973	КОЛЛЕКТОР DN100 / R2 MANIFOLD DN100 / R2	COLETOR DN100 / R2	KOLEKTOR DN100 / R2	1
3580	65311840	ГАЗОВЫЙ КЛАПАН MBC1200SES82RP2" 5-80MB GAZ VANA. MBC1200 SE S82 RP2" 5-80 MB	VÁLVULA GÁS MBC1200 SE S82 RP2" 5-80MBA	ZAWÓR GAZ. MBC1200SES82 RP2" 5-80MB	1
3620	65313022	ФЛАНЕЦ MBC700/1200 RP2 FLANŞI MBC700/1200 RP2	FLANGE MBC700/1200 RP2	KOŁNIERZ MBC700/1200 RP2	1
3640	65310852	РЕЛЕ ДАВ. ВОЗДУХА GW 500 A5 30-500MB GAZ BASINÇ ŞALT. GW 500 A5 30-500MB	PRESSOSTATO GÁS GW 500 A5 30-500MB	CZUJNIK CIŚ. GAZU GW 500 A5 30-500MB	1
	65311598	РЕЛЕ ДАВ. ВОЗДУХА GW 150 A5 30-150MB GAZ BASINÇ ŞALT. GW 150 A5 30-150MB	PRESSOSTATO GAS GW 150 A5 30-150MB	CZUJNIK CIŚ. GAZU GW 150 A5 30-150MB	1

					
3650	65311615	РАЗЪЕМ GDMW 30-11 DF PRIZ GDMW 30-11 DF	TOMADA GDMW 30-11 DF	GNIAZDO GDMW 30-11 DF	1
3700	13022417	СЕТЧАТЫЙ ФИЛЬТР/ГАЗОВЫЙ КЛАП. MBC1200 FILTRE SÜZGECİ/GAZ VANASI MBC1200	ELEMENTO FILTRANTE/VÁLVULA GÁS MBC1200	FILTR SITOWY/ZAWÓR GAZOWY MBC1200	1
3800	65311459	ГАЗОВЫЙ ФИЛЬТР GF80M-1616-A-1 RP2 1BAR GAZ FILTR. GF80M-1616-A-1 RP2 1BAR	FILTRO GÁS GF80M-1616-A-1 RP2 1BAR	FILTR GAZU GF80M-1616-A-1 RP2 1BAR	1
3801	65311361	ФИЛЬТРУЮЩИЙ ЭЛЕМЕНТ GF 80M FILTRE ELEMANI GF 80M	ELEMENTO FILTRANTE GF 80M	WKŁAD FILTRA GF 80M	1
4005	65311613	УПЛОТНИТ. ПРОКЛАДКА DIN EN 1514-1 DN100 CONTA DIN EN 1514-1 DN100 PN16	JUNTA DIN EN 1514-1 DN100 PN16	USZCZELKA DIN EN 1514-1 DN100 PN16	1
4010	65311674	КОЛЛЕКТОР DN100/DN65 MANIFOLD DN100/DN65	COLETOR DN100/DN65	KOLEKTOR DN100/DN65	1
	65311675	КОЛЛЕКТОР DN100-DN80 PN16 MANIFOLD DN100-DN80 PN16	COLETOR DN100-DN80 PN16	KOLEKTOR DN100-DN80 PN16	1
	65311676	КОЛЛЕКТОР DN100/DN100 MANIFOLD DN100/DN100	COLETOR DN100/DN100	KOLEKTOR DN100/DN100	1
	65311677	КОЛЛЕКТОР DN100/DN125 MANIFOLD DN100/DN125	COLETOR DN100/DN125	KOLEKTOR DN100/DN125	1
4020	65311601	ПРЯМОЙ ШТУЦЕР P-EGES 12L/R 1/4WD SAĞ RAKOR P-EGES 12L/R 1/4WD	CONEXÃO DIREITA P-EGES 12L/R 1/4WD	ZŁĄCZE PRAWO P-EGES 12L/R 1/4WD	1
4030	65311608	ШТУЦЕР (ЛОКОТЬ) P-EWV12L-SV RAKOR (DIRSEK) P-EWV12L-SV	UNIÃO (COTOVELO) P-EWV12L-SV	ZŁĄCZE (ŁOKIEC) P-EWV12L-SV	1
4040	65311605	ШТУЦЕР P-KV12L RAKOR P-KV12L	CONEXÃO P-KV12L	ZŁĄCZE P-KV12L	1
4060	65311607	КРЫШКА VSD 12L/S O.M.MB. TAPA VSD 12L/S O.M.MB.	TAMPA VSD 12L/S O.M.MB.	NAKRĘTKA VSD 12L/S O.M.MB.	1
4070	65311601	ПРЯМОЙ ШТУЦЕР P-EGES 12L/R 1/4WD SAĞ RAKOR P-EGES 12L/R 1/4WD	CONEXÃO DIREITA P-EGES 12L/R 1/4WD	ZŁĄCZE PRAWO P-EGES 12L/R 1/4WD	1
4080	65311453	ГАЗОВЫЙ КЛАПАН VGD40 125 DN125 GAZ VANASI VGD40 125 DN125	VALVULA GAS VGD40 125 DN125	ZAWÓR GAZOWY VGD40 125 DN125	1
	65311583	ГАЗОВЫЙ КЛАПАН VGD40 080 DN80 GAZ VANASI VGD40 080 DN80	VALVULA GAS VGD40 080 DN80	ZAWÓR GAZOWY VGD40 080 DN80	1
	65311590	ГАЗОВЫЙ КЛАПАН VGD40 100 DN100 GAZ VANASI VGD40 100 DN100	VALVULA GAS VGD40 100 DN100	ZAWÓR GAZOWY VGD40 100 DN100	1
	65323661	ГАЗОВЫЙ КЛАПАН VGD40 065 DN65 GAZ VANASI VGD40 065 DN65	VÁLVULA GÁS VGD40 065 DN65	ZAWÓR GAZOWY VGD40 065 DN65	1
4090	65107100	СЕРВОДВИГАТЕЛЬ SKP25.003 E2 БЕЗ КОНЦЕВЫ SERVOMOTOR SKP 25.003 E2 LIMIT ANAHTAR	SERVOMOT. GÁS SKP25.003 E2 SEM FIM CURSO	SERWOSILNIK SKP25.003E2 BEZ WYŁĄCZNIKI	1
4100	65311585	СОЕДИНИТЕЛЬНЫЙ КАБЕЛЬ AGA62.000A000 BAĞLANTI KABLOSU AGA62.000A000	CABO DE LIGAÇÃO AGA62.000A000	PRZEWÓD POŁĄCZENIOWY AGA62.000A000	1
4110	1478836180	СЕРВОДВИГАТЕЛЬ SKP15.000E2 БЕЗ КОНЦЕВЫ SERVOMOTOR SKP15.000E2 LIMIT ANAHTAR	SERVOMOTOR GAS SKP15.000E2 SEM FIM CURSA	SERWOSILNIK SKP15.000E2 BEZ WYŁĄCZNIKI	1
4120	65311611	УПЛОТНИТ. ПРОКЛАДКА DIN EN 1514-1 DN65 CONTA DIN EN 1514-1 DN65/PN16	JUNTA DIN EN 1514-1 DN65/PN16	USZCZELKA DIN EN 1514-1 DN65/PN16	1
	65311612	УПЛОТНИТ. ПРОКЛАДКА DIN EN 1514-1 DN80 CONTA DIN EN 1514-1DN 80 PN16	JUNTA DIN EN 1514-1DN 80 PN16	USZCZELKA DIN EN 1514-1DN 80 PN16	1
	65311613	УПЛОТНИТ. ПРОКЛАДКА DIN EN 1514-1 DN100 CONTA DIN EN 1514-1 DN100 PN16	JUNTA DIN EN 1514-1 DN100 PN16	USZCZELKA DIN EN 1514-1 DN100 PN16	1
	65311614	УПЛОТНИТ. ПРОКЛАДКА DIN EN 1514-1 DN125 CONTA DIN EN 1514-1 DN125 PN16	JUNTA DIN EN 1514-1 DN125 PN16	USZCZELKA DIN EN 1514-1 DN125 PN16	1
4130	65311586	ГНЕЗДОВОЙ РАЗЪЕМ AGA64 DIŞİ PRIZ AGA64	TOMADA FÊMEA AGA64	GNIAZDO AGA64	1
4140	65311615	РАЗЪЕМ GDMW 30-11 DF PRIZ GDMW 30-11 DF	TOMADA GDMW 30-11 DF	GNIAZDO GDMW 30-11 DF	1
4150	65310852	РЕЛЕ ДАВ. ВОЗДУХА GW 500 A5 30-500MB GAZ BASINÇ ŞALT. GW 500 A5 30-500MB	PRESSOSTATO GÁS GW 500 A5 30-500MB	CZUJNIK CIŚ. GAZU GW 500 A5 30-500MB	1
	65323022	РЕЛЕ ДАВ. ВОЗДУХА GW 150 A6 10-150MB GAZ BASINÇ ŞALT. GW 150 A6 10-150MB	PRESSOSTATO GAS GW 150 A6 10-150MB	CZUJNIK CIŚ. GAZU GW 150 A6 10-150MB	1
4300	65311460	ГАЗОВЫЙ ФИЛЬТР GF65MF-2020-A-1 DN65 1BAR GAZ FILTR. GF65MF-2020-A-1 DN65 1BAR	FILTRO GÁS GF65MF-2020-A-1 DN65 1BAR	FILTR GAZU GF65MF-2020-A-1 DN65 1BAR	1
	65311461	ГАЗОВЫЙ ФИЛЬТР GF80MF-2424-A-1 DN80 1BAR GAZ FILTR. GF80MF-2424-A-1 DN80 1BAR	FILTRO GÁS GF80MF-2424-A-1 DN80 1BAR	FILTR GAZU GF80MF-2424-A-1 DN80 1BAR	1
	65311462	ГАЗОВЫЙ ФИЛЬТР GF100MF-3232-A-1 DN100 1B GAZ FILTR. GF100MF-3232-A-1 DN100 1BAR	FILTRO GÁS GF100MF-3232-A-1 DN100 1BAR	FILTR GAZU GF100MF-3232-A-1 DN100 1BAR	1
	65311463	ГАЗОВЫЙ ФИЛЬТР GF125MF-4040-A-1 DN125 1B GAZ FILTR. GF125MF-4040-A-1 DN125 1BAR	FILTRO GÁS GF125MF-4040-A-1 DN125 1BAR	FILTR GAZU GF125MF-4040-A-1 DN125 1BAR	1
4301	65311723	ФИЛЬТРУЮЩИЙ ЭЛЕМЕНТ GF65MF FILTRE ELEMANI GF65MF	ELEMENTO FILTRANTE GF65MF	WKŁAD FILTRA GF65MF	1
	65311888	ФИЛЬТРУЮЩИЙ ЭЛЕМЕНТ GF80MF FILTRE ELEMANI GF80MF	ELEMENTO FILTRANTE GF80MF	WKŁAD FILTRA GF80MF	1
	65311889	ФИЛЬТРУЮЩИЙ ЭЛЕМЕНТ GF100MF FILTRE ELEMANI GF100MF	ELEMENTO FILTRANTE GF100MF	WKŁAD FILTRA GF100MF	1



		<b>RU</b> <b>TR</b>	<b>PT</b>	<b>PL</b>	
	65311890	ФИЛЬТРУЮЩИЙ ЭЛЕМЕНТ GF125MF FILTRE ELEMANI GF125MF	ELEMENTO FILTRANTE GF125MF	WKŁAD FILTRA GF125MF	1
4505	65311613	УПЛОТНИТ. ПРОКЛАДКА DIN EN 1514-1 DN100 CONTA DIN EN 1514-1 DN100 PN16	JUNTA DIN EN 1514-1 DN100 PN16	USZCZELKA DIN EN 1514-1 DN100 PN16	1
4510	65311674	КОЛЛЕКТОР DN100/DN65 MANIFOLD DN100/DN65	COLETOR DN100/DN65	KOLEKTOR DN100/DN65	1
	65311675	КОЛЛЕКТОР DN100-DN80 PN16 MANIFOLD DN100-DN80 PN16	COLETOR DN100-DN80 PN16	KOLEKTOR DN100-DN80 PN16	1
	65311676	КОЛЛЕКТОР DN100/DN100 MANIFOLD DN100/DN100	COLETOR DN100/DN100	KOLEKTOR DN100/DN100	1
4520	65311601	ПРЯМОЙ ШТУЦЕР P-EGES 12L/R 1/4WD SAĞ RAKOR P-EGES 12L/R 1/4WD	CONEXÃO DIREITA P-EGES 12L/R 1/4WD	ZŁĄCZE PRAWE P-EGES 12L/R 1/4WD	1
4530	65311344	T-ШТУЦЕР P-TV 12 L T-RAKOR P-TV 12 L	CONEXÃO EM T P-TV 12 L	T-ZŁĄCZKA P-TV 12 L	1
4560	65311607	КРЫШКА VSD 12L/S O.M.MB. TAPA VSD 12L/S O.M.MB.	TAMPA VSD 12L/S O.M.MB.	NAKRĘTKA VSD 12L/S O.M.MB.	1
4580	65311844	ГАЗОВЫЙ КЛАПАН MBC1900SEDN65 40-80MBAR GAZ VANASI MBC1900SE DN65 40-80 MBAR	VÁLVULA GÁS MBC1900SE DN65 40-80MBAR	ZAWÓR GAZ. MBC1900SE DN65 40-80 MBAR	1
	65311845	ГАЗОВЫЙ КЛАПАН MBC3100SE DN80 40-80MBAR GAZ VANASI MBC3100SE DN80 40-80 MBAR	VÁLVULA GÁS MBC3100 SE DN80 40-80 MBAR	ZAWÓR GAZ. MBC3100SE DN80 40-80 MBAR	1
	65311846	ГАЗОВЫЙ КЛАПАН MBC5000SE DN100 40-80MB GAZ VANASI MBC5000 SE DN100 40-80 MB	VÁLVULA GÁS MBC5000 SE DN100 40-80 MBAR	ZAWÓR GAZ. MBC5000SE DN100 40-80MBAR	1
4620	65311611	УПЛОТНИТ. ПРОКЛАДКА DIN EN 1514-1 DN65 CONTA DIN EN 1514-1 DN65/PN16	JUNTA DIN EN 1514-1 DN65/PN16	USZCZELKA DIN EN 1514-1 DN65/PN16	1
	65311612	УПЛОТНИТ. ПРОКЛАДКА DIN EN 1514-1 DN80 CONTA DIN EN 1514-1DN 80 PN16	JUNTA DIN EN 1514-1DN 80 PN16	USZCZELKA DIN EN 1514-1DN 80 PN16	1
	65311613	УПЛОТНИТ. ПРОКЛАДКА DIN EN 1514-1 DN100 CONTA DIN EN 1514-1 DN100 PN16	JUNTA DIN EN 1514-1 DN100 PN16	USZCZELKA DIN EN 1514-1 DN100 PN16	1
4640	65310852	РЕЛЕ ДАВ. ВОЗДУХА GW 500 A5 30-500MB GAZ BASINÇ ŞALT. GW 500 A5 30-500MB	PRESSOSTATO GÁS GW 500 A5 30-500MB	CZUJNIK CIŚ. GAZU GW 500 A5 30-500MB	1
	65323022	РЕЛЕ ДАВ. ВОЗДУХА GW 150 A6 10-150MB GAZ BASINÇ ŞALT. GW 150 A6 10-150MB	PRESSOSTATO GAS GW 150 A6 10-150MB	CZUJNIK CIŚ. GAZU GW 150 A6 10-150MB	1
4650	65311615	РАЗЪЕМ GDMW 30-11 DF PRIZ GDMW 30-11 DF	TOMADA GDMW 30-11 DF	GNIAZDO GDMW 30-11 DF	1
4800	65311460	ГАЗОВЫЙ ФИЛЬТР GF65MF-2020-A-1 DN65 1BAR GAZ FILTR. GF65MF-2020-A-1 DN65 1BAR	FILTRO GÁS GF65MF-2020-A-1 DN65 1BAR	FILTR GAZU GF65MF-2020-A-1 DN65 1BAR	1
	65311461	ГАЗОВЫЙ ФИЛЬТР GF80MF-2424-A-1 DN80 1BAR GAZ FILTR. GF80MF-2424-A-1 DN80 1BAR	FILTRO GÁS GF80MF-2424-A-1 DN80 1BAR	FILTR GAZU GF80MF-2424-A-1 DN80 1BAR	1
	65311462	ГАЗОВЫЙ ФИЛЬТР GF100MF-3232-A-1 DN100 1B GAZ FILTR. GF100MF-3232-A-1 DN100 1BAR	FILTRO GÁS GF100MF-3232-A-1 DN100 1BAR	FILTR GAZU GF100MF-3232-A-1 DN100 1BAR	1
4801	65311723	ФИЛЬТРУЮЩИЙ ЭЛЕМЕНТ GF65MF FILTRE ELEMANI GF65MF	ELEMENTO FILTRANTE GF65MF	WKŁAD FILTRA GF65MF	1
	65311888	ФИЛЬТРУЮЩИЙ ЭЛЕМЕНТ GF80MF FILTRE ELEMANI GF80MF	ELEMENTO FILTRANTE GF80MF	WKŁAD FILTRA GF80MF	1
	65311889	ФИЛЬТРУЮЩИЙ ЭЛЕМЕНТ GF100MF FILTRE ELEMANI GF100MF	ELEMENTO FILTRANTE GF100MF	WKŁAD FILTRA GF100MF	1
5002	65312445	БЛОК УПРА. BT320 ОСНОВНЫЕ НАСТРОЙКИ KUTU BT320 TEMEL AYARI	UNIDADE CONTROLE BT320 CONFIGUR. BÁSICA	MODUŁ BT320 USTAWIENIE PODSTAWOWE	1
	65312446	БЛОК УПРА. BT330 ОСНОВНЫЕ НАСТРОЙКИ KUTU BT330 TEMEL AYARI	UNIDADE CONTROLE BT330 CONFIGUR. BÁSICA	MODUŁ BT330 USTAWIENIE PODSTAWOWE	1
	65312448	БЛОК УПРА. BT320 ОПРЕДЕЛ. ПАРАМ. KUTU BT320 ÖZEL AYAR	UNIDADE CONTROLE BT320 CONF. ESPECÍFICA	MODUŁ BT320 SPECYFICZNE USTAWIENIE	1
	65312449	БЛОК УПРА. BT330 ОПРЕДЕЛ. ПАРАМ. KUTU BT330 ÖZEL AYAR	UNIDADE CONTROLE BT330 CONF. ESPECÍFICA	MODUŁ BT330 SPECYFICZNE USTAWIENIE	1
	65312452	БЛОК УПРА. BT320 G-E,EU3,EF3 (+БЕС.РЕГ.) KUTU BT320 G-E,EU3,EF3 (+FREK.DÖNÜS.)	UNIDADE CONT. BT320 G-E,EU3,EF3(+CTL.FR.)	MODUŁ BT320 G-E,EU3,EF3 (+PRZET.CZEST.)	1
5010	65311362	ИСПЫТАТЕЛЬНАЯ ГОРЕЛКА С КНОПКОЙ PB2 BASMA DÜĞMESİ İLE BRÜLÖR TEST PB2	QUEIMADOR DE ENSAIO COM B. PRESSÃO PB2	PALNIK TEST Z PRZYCISKIEM PB2	1
5015	65311790	МОДУЛЬ LCM100 (LSB-M 667R0500-1) MODÜLÜ LCM100 (LSB-M 667R0500-1)	MÓDULO LCM100 (LSB-M 667R0500-1)	MODUL LCM100 (LSB-M 667R0500-1)	1
5020	65311918	МОДУЛЬ VSM100 VSM100 MODÜLÜ	MÓDULO VMS100	MODUL VSM100	1
5035	65312550	ДАТЧИК NAMUR NI5-G12-Y1 SENSÖR NAMUR NI5-G12-Y1	SENSOR NAMUR NI5-G12-Y1	CZUJNIK NAMUR NI5-G12-Y1	1
5300	65114033	РЕГУЛЯТОР RWF 55.50A9 REGÜLATÖR RWF 55.50A9	REGULADOR RWF 55.50A9	REGULATOR RWF 55.50A9	1
5500	65312274	ФОТОРЕЗИСТОР FFS08-UV1 659D31 - 5M W/O HÜCRE FFS08-UV1 659D31 - 5M W/O	FOTOCÉLULA FFS08-UV1 659D31 - 5M W/O	FOTOKOMÓRKA FFS08-UV1 659D31 - 5M W/O	1





## ADDRESSES

www.elco.net

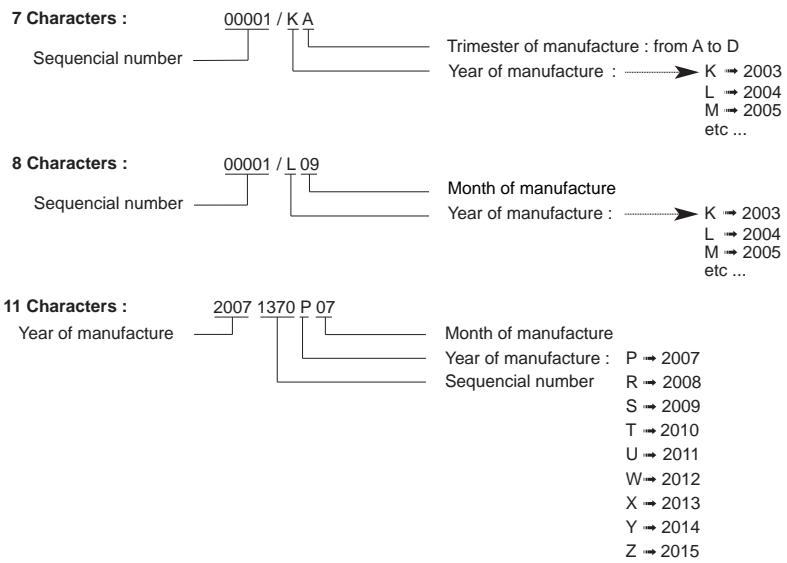


## LIST OF THE ABBREVIATIONS

-  : Maintenance parts / Pièces d'entretien / Materiali di consumo /  
: Piezas de mantenimiento / Hilfsmaterial / Onderhoudsonderdelen
-  : Wearing parts / Pièces d'usure / Parti di usura  
: Piezas de desgaste / Verschleisstelle / Slijtageonderdelen
- \* : Item not stocked, manufactured to order / Article non stocké, fabrication à la demande /  
: Articolo non a magazzino, produzione all'ordine / Artículo no almacenado, fabricación previa solicitud /  
: Keine Lagerware, wird bei Bedarf bestellt, Artikel niet op voorraad, fabricage op bestelling

## IDENTIFICATION PLATE

### SERIAL NUMBER



The indications mentioned on the prices, commercial or technical literature and the scheme are written for your guidance and are available at a given time. The CONSTRUCTOR retains the power to modify the presentation, the form, the size, the conception or the material of the products.