

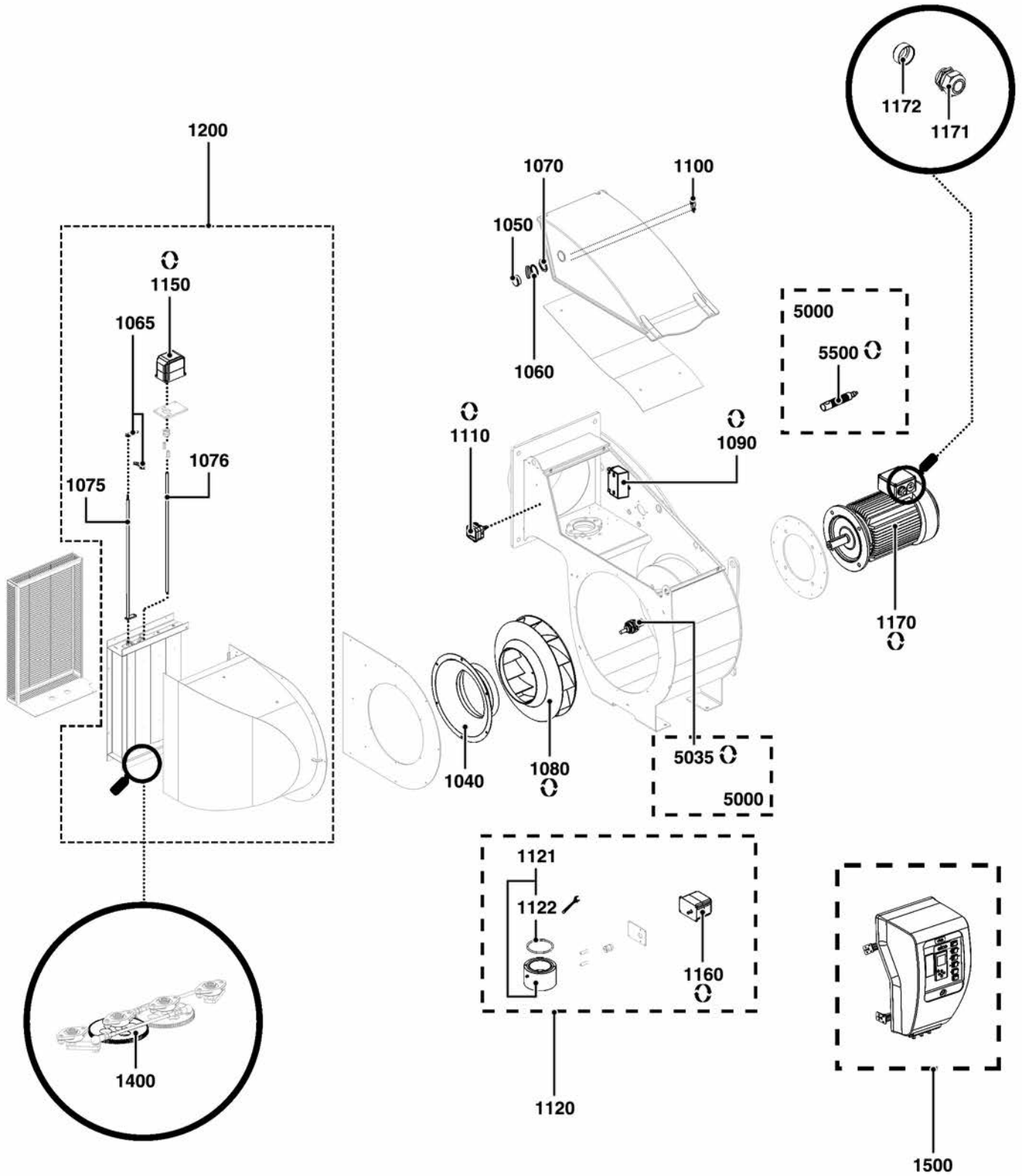
## SPARE PARTS EXPLODED VIEW GAS BURNERS

Model

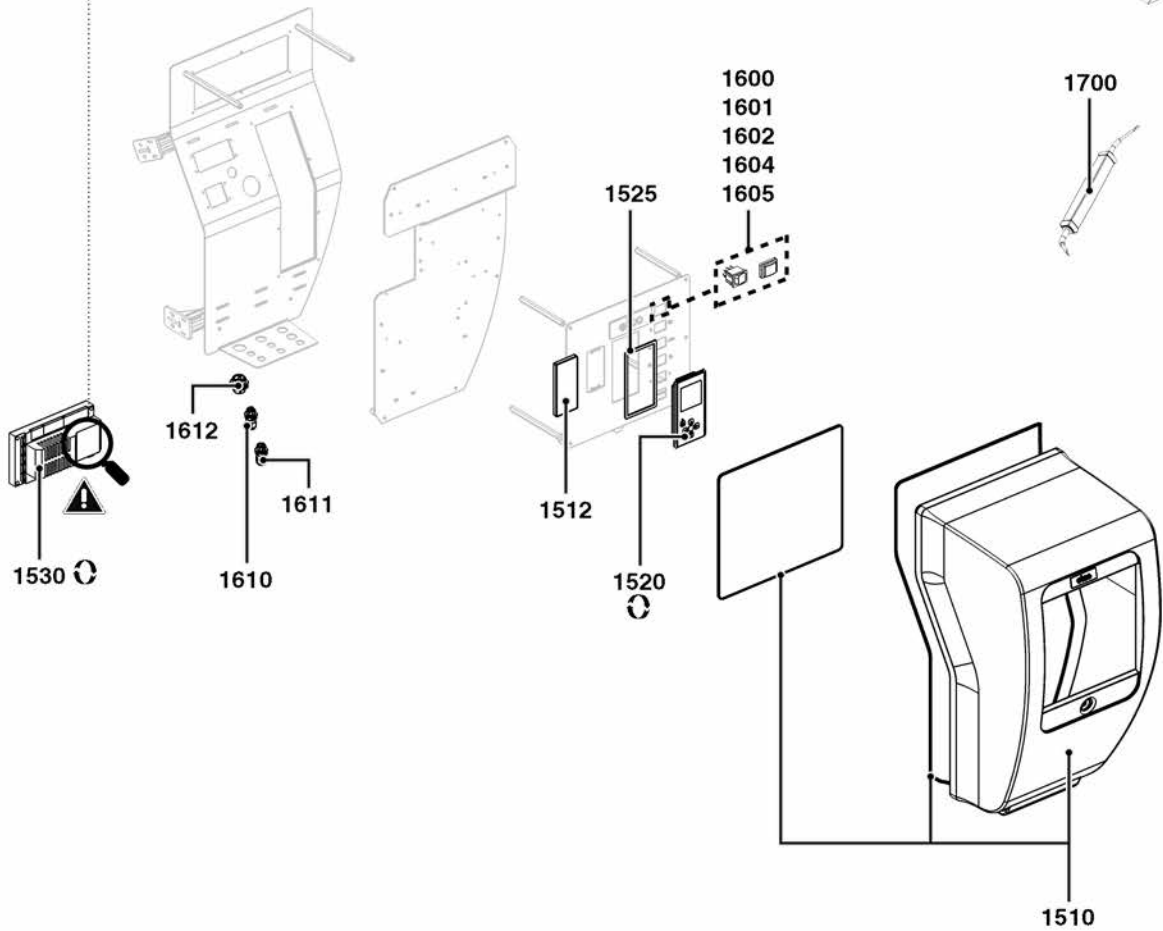
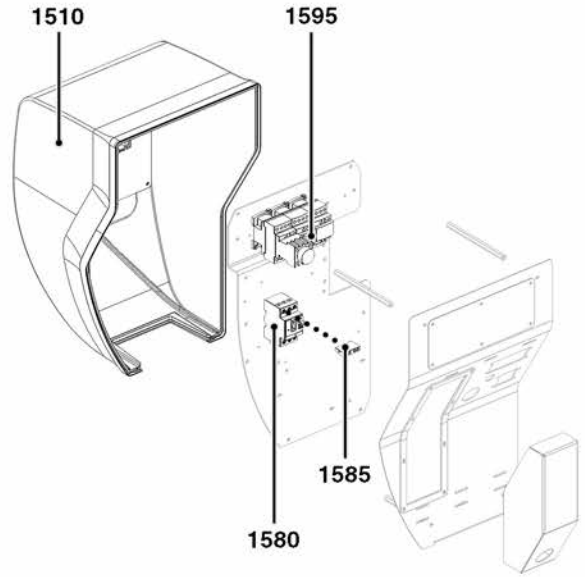
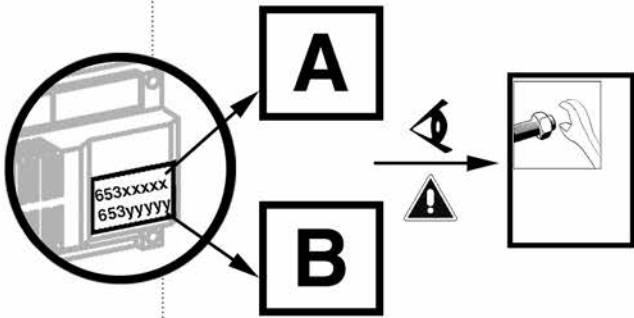
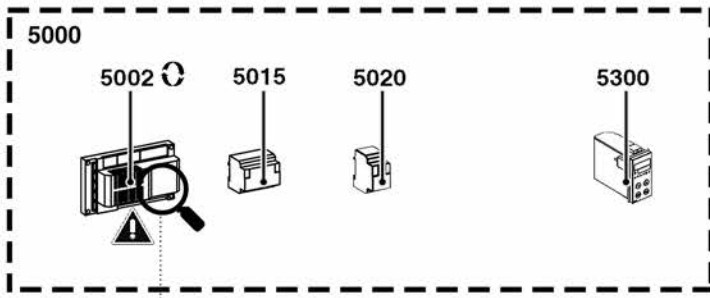
### CB-EKEVO8/9 G-E

R8220134-01 - 25/11/2015

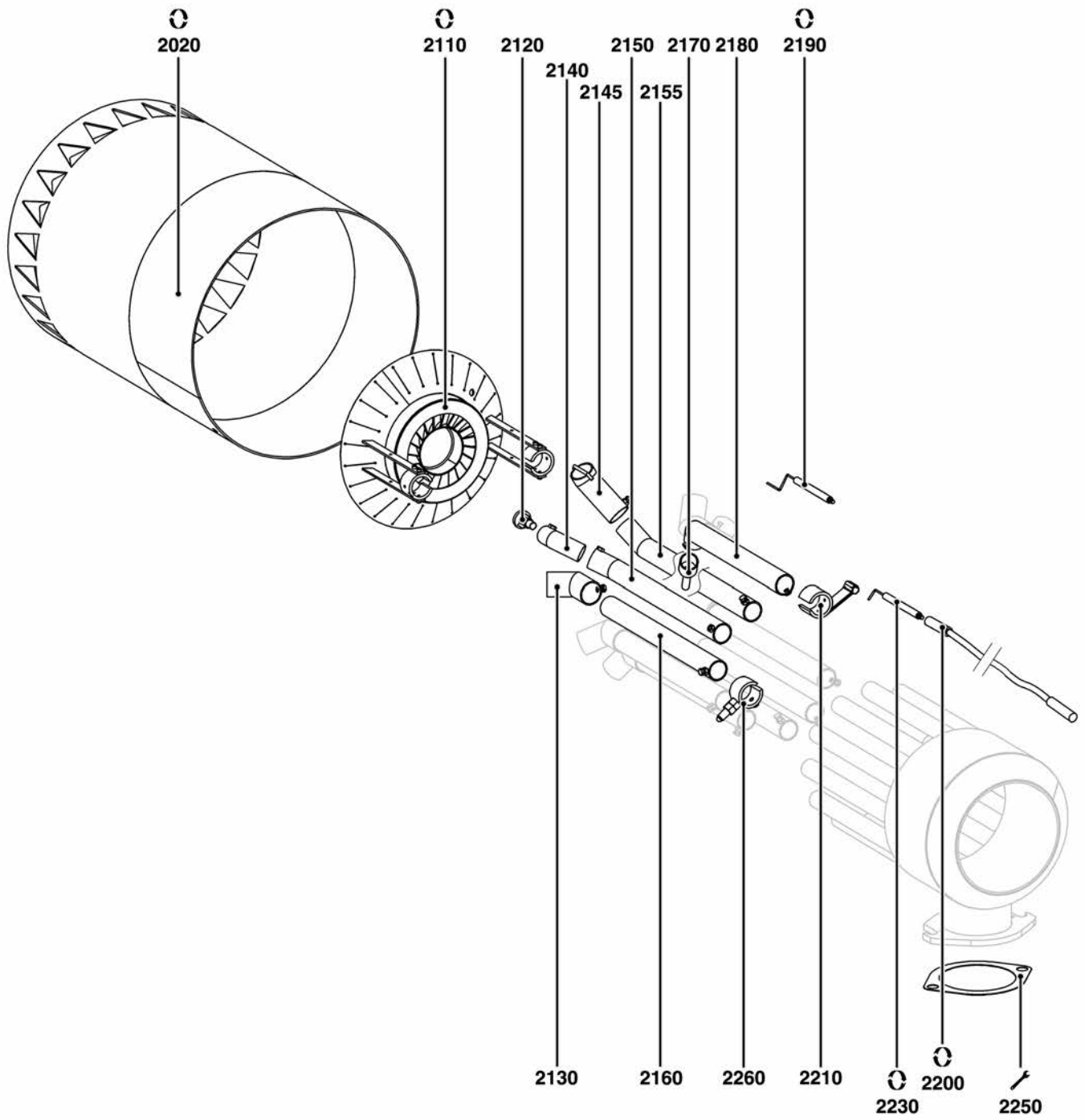
1	3753965	EKEVO 8.5800 G-E/BT3/KN	06-2015	-
1	3753974	EKEVO 8.5800 G-E/BT3/KM	06-2015	-
1	3753982	EKEVO 8.5800 G-E/BT3/KL	06-2015	-
2	3753966	EKEVO 8.7100 G-E/BT3/KN	06-2015	-
2	3753975	EKEVO 8.7100 G-E/BT3/KM	06-2015	-
2	3753983	EKEVO 8.7100 G-E/BT3/KL	06-2015	-
3	3753967	EKEVO 9.8700 G-E/BT3/KN	06-2015	-
3	3753976	EKEVO 9.8700 G-E/BT3/KM	06-2015	-
3	3753984	EKEVO 9.8700 G-E/BT3/KL	06-2015	-
4	3753968	EKEVO 9.10400 G-E/BT3/KN	06-2015	-
4	3753977	EKEVO 9.10400 G-E/BT3/KM	06-2015	-
4	3753985	EKEVO 9.10400 G-E/BT3/KL	06-2015	-
5	3750537	GT-s457-2	08-2012	-
6	3750515	GT-d457-2	11-2013	-
7	3750538	GT-s458-65	07-2012	-
8	3750539	GT-s459-80	08-2013	-
9	3750540	GT-s460-100	03-2014	-
10	3750541	GT-s461-125	06-2014	-
11	3750516	GT-d458-65	06-2012	-
12	3750517	GT-d459-80	03-2013	-
13	3750518	GT-d460-100	10-2012	-
Col	Reference	Model type	Begin	End





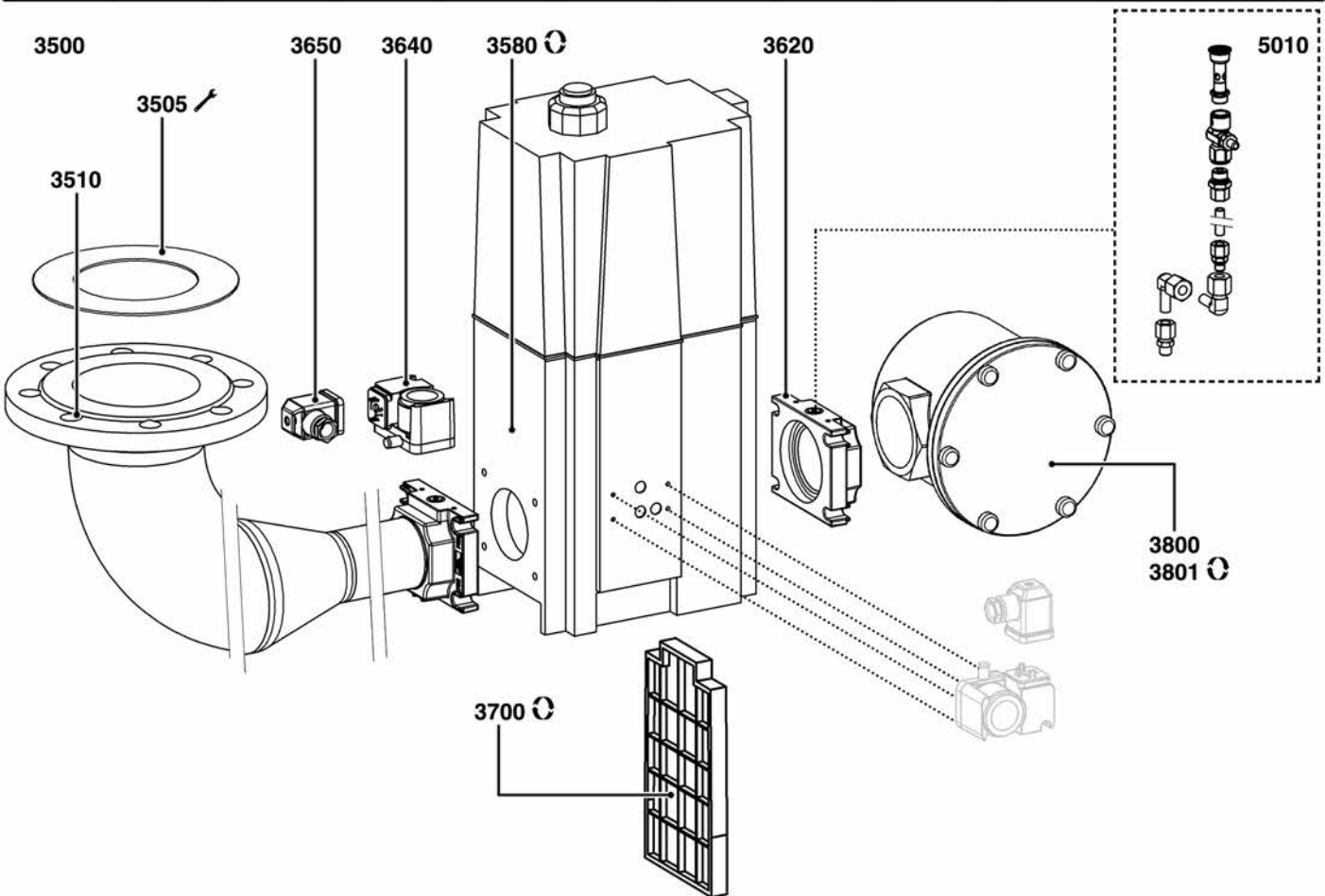
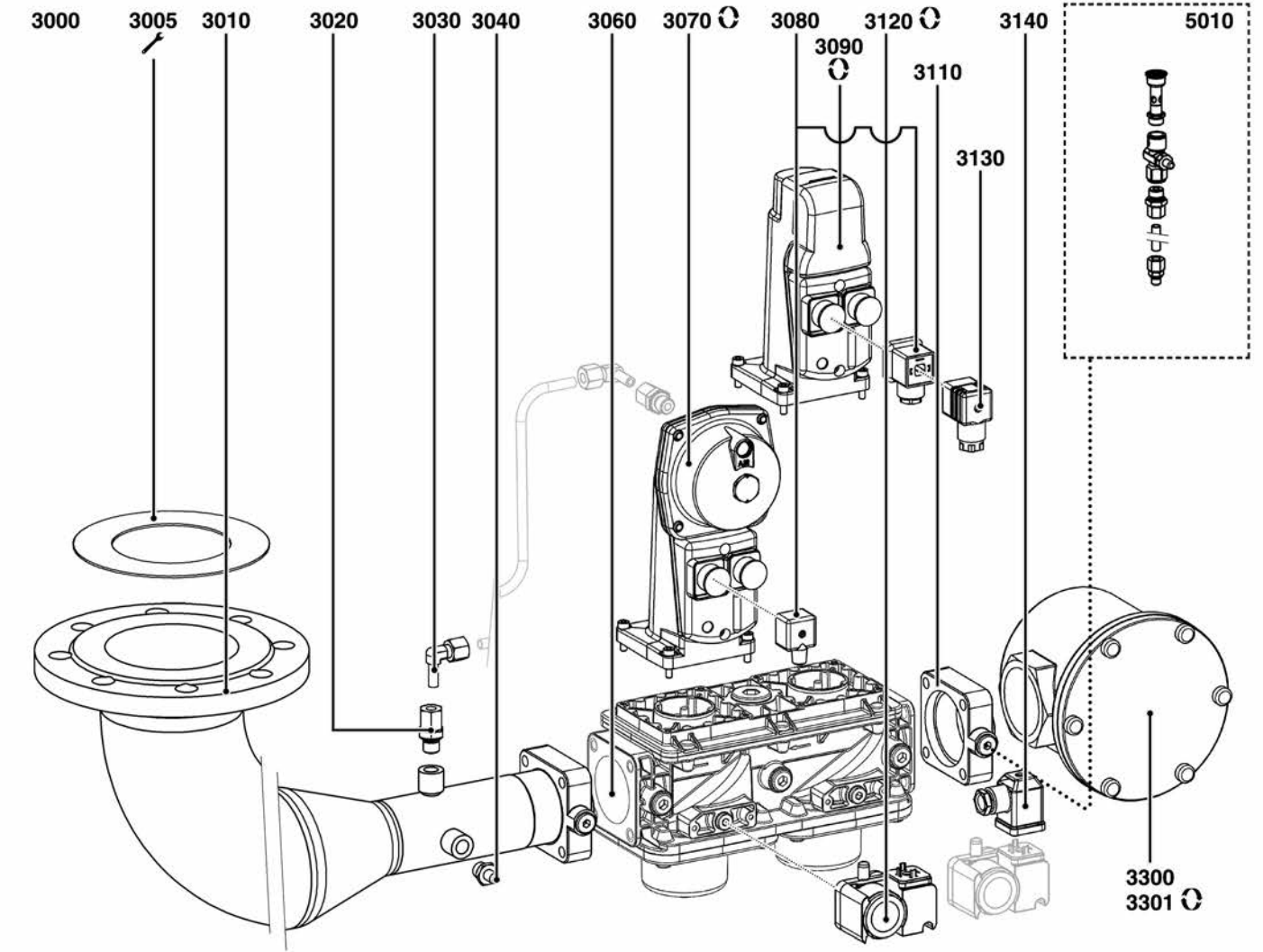


☉⇒	Description	Manf. Pt. N	Type	<div style="display: flex; justify-content: space-between; font-size: small;"> <span>EKEVO 8-5800 G-EBT3</span> <span>EKEVO 8-1100 G-EBT3</span> <span>EKEVO 9-8700 G-EBT3</span> <span>EKEVO 9-10400 G-EBT3</span> <span>GT-8457-2</span> <span>GT-8457-2</span> <span>GT-8459-85</span> <span>GT-8459-80</span> <span>GT-8480-100</span> <span>GT-8481-125</span> <span>GT-8459-85</span> <span>GT-8459-80</span> <span>GT-8460-100</span> </div>																		From	to
				1	2	3	4	5	6	7	8	9	10	11	12	13	14	15	16	17	18		
<b>1500</b>	<b>ELECTRIC PART</b>																						
1510	SWITCH CABINET COVER	65312340		•	•	•	•																
1512	BLIND CAP/CONTROLLER 92X45 IP54	65312338		•	•	•	•																
1520	DISPLAY FOR CONTROL UNIT BT3XX	65300975		•	•	•	•																
1525	GASKET/DISPLAY	65311364		•	•	•	•																
1530	CONTROL UNIT BT320 G-E, G-EU3, G-EF3	65312451		•	•	•	•																
1580	MOTOR PROT. SWITCH 11kW GV2ME22	65312018		•																			
	MOTOR PROT. SWITCH 15kW GV2ME32	65311798			•																		
	MOTOR PROT. SWITCH 18,5kW GV3P40	65312019				•																	
	MOTOR PROT. SWITCH 22kW GV3P50	65311917					•																
1585	AUXILIARY SWITCH GVAE11	65311795		•	•	•	•																
1595	MOTOR STARTER Y/D 11kW LC3D12AP7	65312015		•																			
	MOTOR STARTER Y/D 18kW LC3D18AP7	65311796			•	•																	
	MOTOR STARTER Y/D 22kW LC3D32AP7	65311797					•																
1600	SWITCH CABINET LIGHT INDICATOR	65312334		•	•	•	•																
1601	2-POS. ROCKER SWITCH	65312335		•	•	•	•																
1602	3-POS. ROCKER SWITCH	65312336		•	•	•	•																
1604	2-POS. MOMENTARY SWITCH	65312337		•	•	•	•																
1605	BLIND CAP/SWITCH CABINET COVER	65312341		•	•	•	•																
1610	SCREW TERMINAL M20	65311758		•	•	•	•																
1611	SCREW TERMINAL M16	65311451		•	•	•	•																
1612	CABLE GLAND CLICK M25	65312852		•	•	•	•																
1700	OPERATING TOOL 2009-309	65311446		•	•	•	•																
<b>5000</b>	<b>ACCESSORY</b>																						
5002	CONTR. UNIT BT320 BASIC SETTING	65312445		•	•	•	•																
	CONTR. UNIT BT320 CUSTOMIZED SETTING	65312448		•	•	•	•																
	CONTR. UNIT BT330 BASIC SETTING	65312446		•	•	•	•																
	CONTR. UNIT BT330 CUSTOMIZED SETTING	65312449		•	•	•	•																
	CTR.UNIT BT320 G-E,G-EU3,G-EF3(+FRQ.CTR)	65312452		•	•	•	•																
5015	LCM100 MODULE (LSB-M 667R0500-1)	65311790		•	•	•	•																
5020	VMS100 MODULE	65311918		•	•	•	•																
5300	UNIVERSAL CONTROLLER RWF 55.50A9	65114033		•	•	•	•																



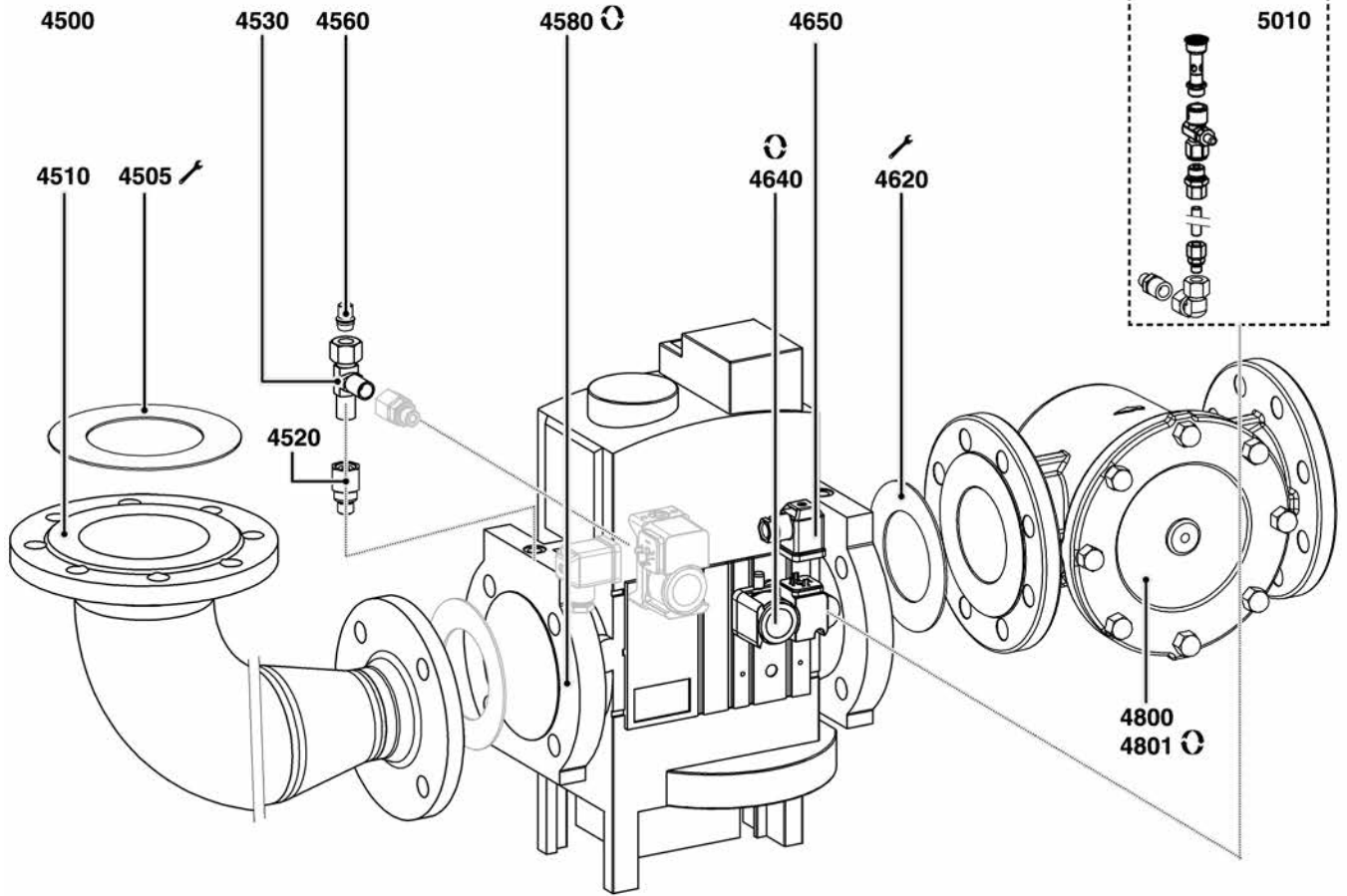
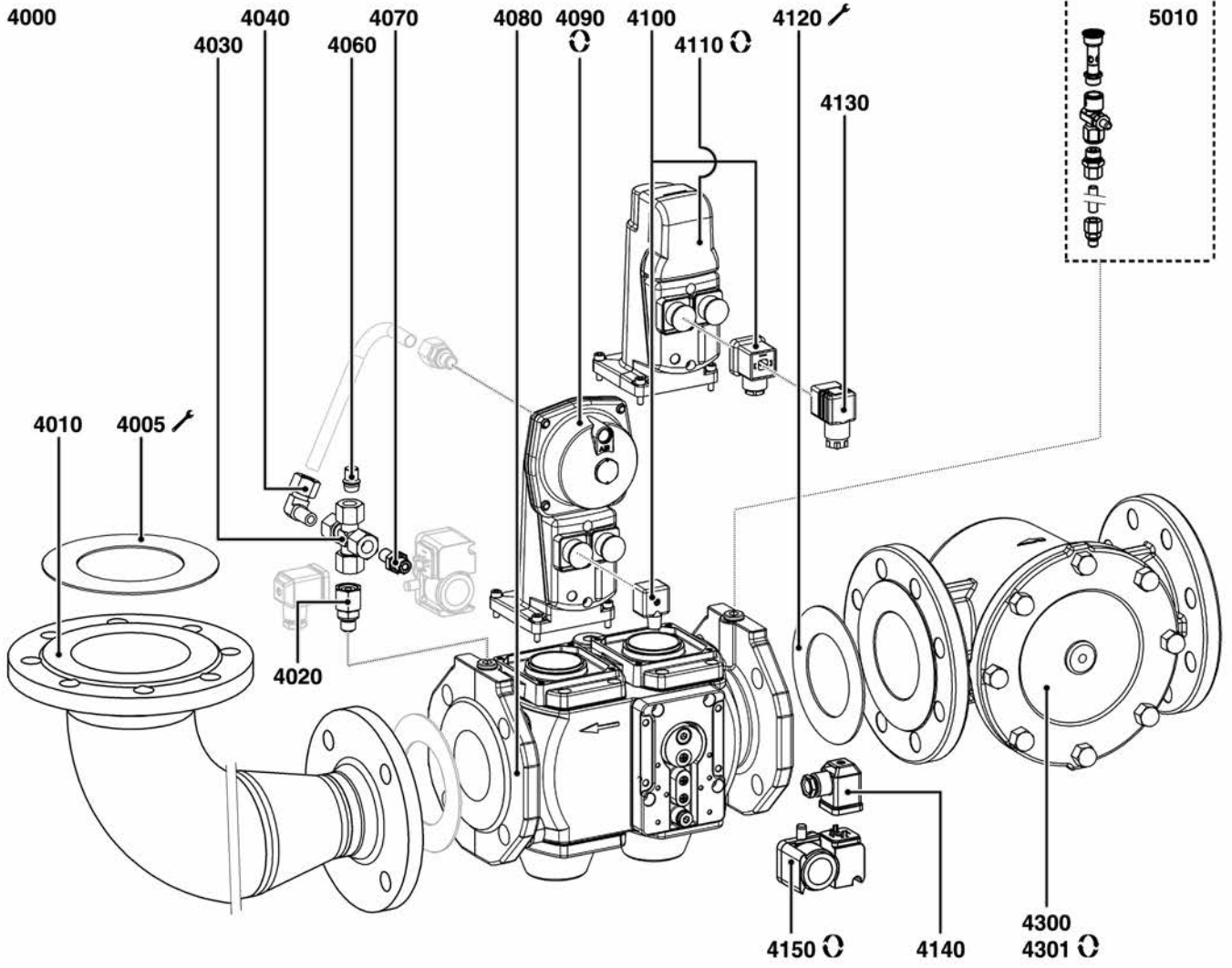
☉⇒	Description	Manf. Pt. N	Type	<div style="display: flex; justify-content: space-between; font-size: small;"> <span>EKEVO 8-5800 G-EB73</span> <span>EKEVO 8-1100 G-EB73</span> <span>EKEVO 9-8700 G-EB73</span> <span>EKEVO 9-10400 G-EB73</span> <span>GT-8457-2</span> <span>GT-8457-2</span> <span>GT-8459-85</span> <span>GT-8459-80</span> <span>GT-8480-100</span> <span>GT-8481-125</span> <span>GT-8458-85</span> <span>GT-8459-80</span> <span>GT-8460-100</span> </div>																		From	to
				1	2	3	4	5	6	7	8	9	10	11	12	13	14	15	16	17	18		
2000	<b>COMBUSTION HEAD</b>																						
2020	FLAME TUBE D369/303 L555 DELTA	65311656		•	•																		
	FLAME TUBE D369/303 L695 DELTA	65312006		•	•																		
	FLAME TUBE D369/303 L835 DELTA	65312007		•	•																		
	FLAME TUBE D431,5/362 L605 DELTA	65311661				•	•																
	FLAME TUBE D431,5/362 L755 DELTA	65312011				•	•																
	FLAME TUBE D431,5/362 L905 DELTA	65312012				•	•																
2110	BAFFLE PLATE D255/140 TKD230 45°	65311679			•																		
	BAFFLE PLATE D260/140 TKD230 45°	65311697					•																
	BAFFLE PLATE D270/140 TKD230 45°	65311680		•																			
	BAFFLE PLATE D298/140 TKD230 45°	65311654				•																	
2120	LOCKING BOLT D12/30X40	1688611605		•	•	•	•																
2130	GAS NOZZLE (ELBOW) D40X2,2	65311703		•	•																		
	GAS NOZZLE (ELBOW) D40X2,2 L60	65311698					•																
	GAS NOZZLE (ELBOW) D40X2,2 L70	65311699				•																	
2140	GAS NOZZLE D30X2 45 L40	65311700			•																		
	GAS NOZZLE D30X45 45GR.	65311711		•			•																
	GAS NOZZLE D30X60 45GR.	65311653				•																	
2145	GAS NOZZLE D40X2,2X45GR	65311704				•																	
	GAS NOZZLE D40X2,2X90	65311692					•																
2150	GAS TUBE D35X2,2X360	65311710		•	•		•																
	GAS TUBE D35X2,2X360 2XM5	65310279					•																
2155	GAS TUBE D35X2,2X360 1XM5	65310278					•	•															
2160	GAS TUBE D35X2,2X360	65311702		•	•																		
	GAS TUBE D35X2,2X360 1XM5	65310278					•	•															
2170	GAS NOZZLE D30X2/D12X1 L90	65311693					•	•															
	GAS NOZZLE D30x2/D12x1,5	65311683		•	•																		
2180	GAS TUBE D35x2.2x45GR.	65311712					•	•															
2190	IONISATION PROBE D11/D2,5X150	65311691					•	•															
	IONISATION PROBE D11/D2,5X150	65311694		•	•																		
2200	IGNITION CABLE SILICONE L1500	1728777751		•	•	•	•																
2210	ELECTRODE HOLDER	65311662		•	•	•	•																
	ELECTRODE HOLDER (LONG)	65311695					•	•															
2230	IGNITION ELECTRODE D11	65311690		•	•	•	•																
2250	SEAL FOR OVAL FLANGE DN100	65311713		•	•	•	•																
2260	CENTERING PILLAR N8/EKEVO8	65312022		•	•																		
	CENTERING PILLAR N9/EKEVO9	65312023				•	•																

CB-EKEVO8/9 G-E  
Gas burners









Description	Manf. Pt N	Type	<div style="display: flex; justify-content: space-between; font-size: 8px; font-weight: bold;"> <span>EKEVO 8-5800 G-EB73</span> <span>EKEVO 8-1100 G-EB73</span> <span>EKEVO 9-8700 G-EB73</span> <span>EKEVO 9-10400 G-EB73</span> <span>GT-9457-2</span> <span>GT-9457-2</span> <span>GT-9459-85</span> <span>GT-9459-80</span> <span>GT-9460-100</span> <span>GT-9461-125</span> <span>GT-9462-65</span> <span>GT-9463-80</span> <span>GT-9463-100</span> </div>																		<div style="border: 1px solid black; padding: 2px; font-weight: bold;">31</div>	
			1	2	3	4	5	6	7	8	9	10	11	12	13	14	15	16	17	18	From	to
<b>4000 GAS TRAIN</b>																						
4005 GASKET DIN EN 1514-1 DN100 PN16	65311613																					
4010 COLLECTOR DN100-DN80 PN16	65311675																					
FLANGE DN100/DN100	65311676																					
FLANGE DN100/DN125	65311677																					
FLANGE DN100/DN65	65311674																					
4020 STRAIGHT UNION P-EGES 12L/R 1/4WD	65311601																					
4030 UNION (ELBOW) P-EWV12L-SV	65311608																					
4040 UNION P-KV12L	65311605																					
4060 ENDPLUG VSD 12L/S O.M.MB.	65311607																					
4070 STRAIGHT UNION P-EGES 12L/R 1/4WD	65311601																					
4080 GAS VALVE VGD40 065 DN65	65323661																					
GAS VALVE VGD40 080 DN80	65311583																					
GAS VALVE VGD40 100 DN100	65311590																					
GAS VALVE VGD40 125 DN125	65311453																					
4090 GAS ACTUATOR SKP25.003E2 W.O.END SWITCH	65107100																					
4100 CONNECTING CABLE AGA62.000A000	65311585																					
4110 GAS ACTUATOR SKP15.000E2 W/O END SWITCH	1478836180																					
4120 GASKET DIN EN 1514-1 DN100 PN16	65311613																					
GASKET DIN EN 1514-1 DN125 PN16	65311614																					
GASKET DIN EN 1514-1 DN65/PN16	65311611																					
GASKET DIN EN 1514-1DN 80 PN16	65311612																					
4130 FEMALE CONNECTOR AGA64	65311586																					
4140 CONNECTOR GDMW 30-11 DF	65311615																					
4150 GAS PRESS.SWITCH GW 150 A6 10-150MB	65323022	OPTION																				
GAS PRESS.SWITCH GW 500 A5 30-500MB	65310852	30-500mb																				
4300 GAS FILTER GF100MF-3232-A-1 DN100 1BAR	65311462																					
GAS FILTER GF125MF-4040-A-1 DN125 1BAR	65311463																					
GAS FILTER GF65MF-2020-A-1 DN65 1BAR	65311460																					
GAS FILTER GF80MF-2424-A-1 DN80 1BAR	65311461																					
4301 STRAINER ELEMENT GF100MF	65311889																					
STRAINER ELEMENT GF125MF	65311890																					
STRAINER ELEMENT GF65MF	65311723																					
STRAINER ELEMENT GF80MF	65311888																					
<b>4500 GAS TRAIN</b>																						
4505 GASKET DIN EN 1514-1 DN100 PN16	65311613																					
4510 COLLECTOR DN100-DN80 PN16	65311675																					
FLANGE DN100/DN100	65311676																					
FLANGE DN100/DN65	65311674																					
4520 STRAIGHT UNION P-EGES 12L/R 1/4WD	65311601																					
4530 T-UNION P-TV 12 L	65311344																					
4560 ENDPLUG VSD 12L/S O.M.MB.	65311607																					
4580 GAS VALVE MBC1900 SE DN65 40-80MBAR	65311844																					
GAS VALVE MBC3100 SE DN80 40-80 MBAR	65311845																					
GAS VALVE MBC5000 SE DN100 40-80 MBAR	65311846																					
4620 GASKET DIN EN 1514-1 DN100 PN16	65311613																					
GASKET DIN EN 1514-1 DN65/PN16	65311611																					
GASKET DIN EN 1514-1DN 80 PN16	65311612																					
4640 GAS PRESS.SWITCH GW 150 A6 10-150MB	65323022	OPTION																				
GAS PRESS.SWITCH GW 500 A5 30-500MB	65310852	30-500mb																				
4650 CONNECTOR GDMW 30-11 DF	65311615																					
4800 GAS FILTER GF100MF-3232-A-1 DN100 1BAR	65311462																					
GAS FILTER GF65MF-2020-A-1 DN65 1BAR	65311460																					
GAS FILTER GF80MF-2424-A-1 DN80 1BAR	65311461																					
4801 STRAINER ELEMENT GF100MF	65311889																					
STRAINER ELEMENT GF65MF	65311723																					
STRAINER ELEMENT GF80MF	65311888																					
<b>5000 ACCESSORY</b>																						
5010 TRIAL BURNER WITH PUSH-BUTTON PB2	65311362																					

		DE	FR	IT	
		NL	ES		
1040	65311665	ANSAUGTRICHTER D332x127,5 LUCHTINLAAT D332x127,5	ENTREE D'AIR D332x127,5 ENTRADA DE AIRE D332x127,5	ADDUZIONE ARIA D332x127,5	1
	65311672	ANSAUGTRICHTER D318x134 LUCHTINLAAT D318x134	ENTREE D'AIR D318x134 ENTRADA DE AIRE D318x134	ADDUZIONE ARIA D318x134	1
	65311673	ANSAUGTRICHTER D288x127 LUCHTINLAAT D288x127	ENTREE D'AIR D288x127 ENTRADA DE AIRE D288x127	ADDUZIONE ARIA D288x127	1
1050	1180603227	SCHAUGLAS KLAR D55X21 KLEURLOOS KIJKGLAS D55X21	REGARD INCOLORE D55X21 MIRILLA INCOLORA D55X21	SPIONCINO INCOLORE D55X21	1
1060	1188052260	SCHAUGLASDECKEL D55X61 DEKSEL/KIJKGLAS D55X61	CACHE REGARD D55X61 TAPA/MIRILLA D55X61	COPERCHIO/SPIONCINO D55X61	1
1065	65312849	VERSTELLANZEIGE MIT SKALA EKEVO 8/9 AFSTELL-INDICATOR MET SCHAAL EKEVO 8/9	INDICATEUR DE POSITION GRADUE EKEVO 8/9 INDICADOR AJUST. CON ESCALA EKEVO 8/9	INDICATORE REGOLAZ. CON SCALA EKEVO 8/9	1
1070	1180559591	MUTTER SCHAUGLAS M48X1,5 SW60 MOER/KIJKGLAS M48X1,5 SW60	ECROU REGARD M48X1,5 SW60 TUERCA/MIRILLA M48X1,5 SW60	DADO/SPIONCINO M48X1,5 SW60	1
1075	65312851	LUFTKLAPPENWELLE RD. F. ZEIGER EKEVO 8/9 AS LUCHTKLEP MET WIJZER EKEVO 8/9	AXE VOLET AIR ROND INDIC. POS. EKEVO8/9 EJE VALVULA AIRE CON INDICADOR EKEVO 8/9	ALBERO SERR. ARIA ROTD. INDIC. EKEVO 8/9	1
1076	65312854	LUFTKLAPPENWELLE F. ANTR. EKEVO8/9G AS LUCHTKLEP STELLMOTOR EKEVO8/9G	AXE VOLET AIR SERVOMOTEUR EKEVO8/9G EJE VALVULA AIRE ACTUADOR EKEVO8/9G	ALBERO SERR. ARIA ACTUAT. EKEVO8/9G	1
1080	65311663	VENTILATORRAD D590/334X92 d48 VENTILATORWIEL D590/334X92 d48	TURBINE D590/334X92 d48 TURBINA D590/334X92 d48	VENTOLA D590/334X92 d48	1
	65311664	VENTILATORRAD D580/334X90 d42 VENTILATORWIEL D580/334X90 d42	TURBINE D580/334X90 d42 TURBINA D580/334X90 d42	VENTOLA D580/334X90 d42	1
	65311670	VENTILATORRAD D556/320X86 d42 VENTILATORWIEL D556/320X86 d42	TURBINE D556/320X86 d42 TURBINA D556/320X86 d42	VENTOLA D556/320X86 d42	1
	65311671	VENTILATORRAD D525/290X81 d42 VENTILATORWIEL D525/290X81 d42	TURBINE D525/290X81 d42 TURBINA D525/290X81 d42	VENTOLA D525/290X81 d42	1
1090	65311471	ZUENDTRAFI EBI 1X11 230V ONTSTEKINGSTRAFO EBI 1X11 230V	ALLUMEUR EBI 1X11 230V ENCENDEDOR EBI 1X11 230V	TRANSFO. ACC. EBI 1X11 230V	1
1100	65311472	SICHTSPIEGEL FÜR SCHAUGLAS SPIEGEL/KIJKGLAS	MIROIR/REGARD ESPEJO/MIRILLA	SPECCHIO/SPIONCINO	1
1110	65311595	LUFTDRUCKWAECHTER LGW 50 A2P 2,5-50MB LUCHTDRUKSCHAKELAAR LGW 50 A2P 2,5-50MB	MANOSTAT AIR LGW 50 A2P 2,5-50MB PRESOSTATO AIRE LGW 50 A2P 2,5-50MB	PRESSOSTATO ARIA LGW 50 A2P 2,5-50MB	1
1120	65312855	GASKLAPPE+SCHRIJTMOTOR BG GASKLEP+SERVOMOTOR EQ.	CLAPET GAZ+SERVOMOTEUR EQ. VALVULA DEL GAS+SERVOMOTOR EQ.	VALVOLA DEL GAS+SERVOMOTORE COMPL.	1
1121	65312853	GASKLAPPE RP4 STE4,5 3N-STM30+O'RING GASKLEP RP4 STE 4,5 3N-STM30+O'RING	CLAPET GAZ RP4 STE4,5 3N-STM30+O'RING VALVULA GAS.RP4 STE4,5 3N-STM30+O'RING	VALVOLA GAS RP4 STE4,5 3N-STM30+O'RING	1
1122	65323999	O-RING NBR 8475 (120,00x6,99) O-RING NBR 8475 (120,00x6,99)	O-RING NBR 8475 (120,00x6,99) O-RING NBR 8475 (120,00x6,99)	O-RING NBR 8475 (120,00x6,99)	1
1150	65311650	STELLANTRIEB STE 4,5 BT3XX SERVOMOTOR STE 4,5 BT3XX	SERVOMOTEUR STE 4,5 BT3XX SERVOMOTOR STE 4,5 BT3XX	SERVOMOTORE STE 4,5 BT3XX	1
1160	65311650	STELLANTRIEB STE 4,5 BT3XX SERVOMOTOR STE 4,5 BT3XX	SERVOMOTEUR STE 4,5 BT3XX SERVOMOTOR STE 4,5 BT3XX	SERVOMOTORE STE 4,5 BT3XX	1
1170	65326333	MOTOR 11KW 400/690V D42 IE3 ELV SCHWARZ MOTOR 11KW 400/690V D42 IE3 ELV ZWART	MOTEUR 11KW 400/690V D42 IE3 ELV NOIR MOTOR 11KW 400/690V D42 IE3 ELV NEGRO	MOTORE 11KW 400/690V D42 IE3 ELV NERO	1
	65326334	MOTOR 15KW 400/690V D42 IE3 ELV SCHWARZ MOTOR 15KW 400/690V D42 IE3 ELV ZWART	MOTEUR 15KW 400/690V D42 IE3 ELV NOIR MOTOR 15KW 400/690V D42 IE3 ELV NEGRO	MOTORE 15KW 400/690V D42 IE3 ELV NERO	1
	65326335	MOTOR 18,5KW 400/690V D42 IE3 ELV SCHWZ MOTOR 18,5KW 400/690V D42 IE3 ELV ZWART	MOTEUR 18,5KW 400/690V D42 IE3 ELV NOIR MOTOR 18,5KW 400/690V D42 IE3 ELV NEGRO	MOTORE 18,5KW 400/690V D42 IE3 ELV NERO	1
	65326336	MOTOR 22KW 400/690V D48 IE3 ELV SCHWARZ MOTOR 22KW 400/690V D48 IE3 ELV ZWART	MOTEUR 22KW 400/690V D48 IE3 ELV NOIR MOTOR 22KW 400/690V D48 IE3 ELV NEGRO	MOTORE 22KW 400/690V D48 IE3 ELV NERO	1
1171	65311933	KABELVERSCHRAUBUNG M32X1,5 PAKKINGBUS M32X1,5	PRESSE-ETOUPPE M32X1,5 PRENSAESTOPAS M32X1,5	PREMISTOPPA M32X1,5	1
	65311934	KABELVERSCHRAUBUNG M40X1,5 PAKKINGBUS M40X1,5	PRESSE-ETOUPPE M40X1,5 PRENSAESTOPAS M40X1,5	PREMISTOPPA M40X1,5	1
1172	65312850	KABELVERSCHRAUBUNG ERW. M32-M40 KABELSCHROEFVERBIND. ADAPTER M32-M40	AMPLIFIC. PRESSE-ETOUPPE M32-M40 EXTENSION PRENSAESTOPAS M32-M40	ESTENS. PRESSACAVO M32-M40	1
1200	65312856	LUFTKLAPPE BG EKEVO8/9 COMPLETE LUCHTKLEP EKEVO8/9	VOLET D'AIR EQUIPE EKEVO8/9 VÁLVULA DE AIRE EQUIPADA EKEVO8/9	SERRANDA DELL'ARIA EQUIP. EKEVO8/9	1
1400	65312848	ZAHNRAD Z=100 M=1 BO=12MM EKEVO8/9 TANDWIEL Z=100 M=1 BO=12MM EKEVO8/9	ROUE DENTEE Z=100 M=1 BO=12MM EKEVO8/9 RUEDA DENTADA Z=100 M=1 BO=12MM EKEVO8/9	RUOTA DENTATA Z=100 M=1 BO=12MM EKEVO8/9	1
1510	65312340	BRENNERSCHRANKHAUBE KAP ELEKTRISCHE KAST	CAPOT ARMOIRE ELEC. CUBIERTA ARMARIO ELÉCTRICO	COPERCHIO ARMADIO ELETTRICO	1
1512	65312338	BLINDDECKEL/REGLER 92X45 IP54 AFSLUITER/REGELAAR 92X45 IP54	OBTURATEUR REGULATEUR 92X45 IP54 CONJUNTO/REGULADOR 92X45 IP54	OTTURATORE/REGOLATORE 92X45 IP54	1
1520	65300975	ANZEIGE FÜR FEUERUNGSAUTOMAT BT3XX DISPLAY VOOR BRANDERAUTOMAAT BT3XX	AFFICHEUR POUR COFFRET BT3XX PANTALLA PARA PROGRAMADOR BT3XX	DISPLAY PER APPARECCHIATURA BT3XX	1
1525	65311364	DICHTUNG/ANZEIGE AFDICHTING/DISPLAY	JOINT/AFFICHEUR JUNTA/PANTALLA	GUARNIZIONE/DISPLAY	1
1530	65312451	FEUERUNGSAUTOMAT BT320 G-E, G-EU3, G-EF3 BRANDERAUTOMAAT BT320 G-E, G-EU3, G-EF3	COFFRET BT320 G-E, G-EU3, G-EF3 PROGRAMADOR BT320 G-E, G-EU3, G-EF3	APPARECCHIATURA BT320 G-E, G-EU3, G-EF3	1
1580	65311798	MOTORSCHUTZSCHALTER 15kW GV2ME32 VERMOGENSCHAKEL. MOTOR 15kW GV2ME32	DISJONCTEUR MOTEUR 15kW GV2ME32 INTERRUPTOR MOTOR 15kW GV2ME32	INTERRUTTORE MOTORE 15kW GV2ME32	1

			DE	FR	IT	
			NL	ES		
		65311917	MOTORSCHUTZSCHALTER 22kW GV3P50 VERMOGENSCHAKEL. MOTOR 22kW GV3P50	DISJONCTEUR MOTEUR 22kW GV3P50 INTERRUPTOR MOTOR 22kW GV3P50	INTERRUTTORE MOTORE 22kW GV3P50	1
		65312018	MOTORSCHUTZSCHALTER 11kW GV2ME22 VERMOGENSCHAKEL. MOTOR 11kW GV2ME22	DISJONCTEUR MOTEUR 11kW GV2ME22 INTERRUPTOR MOTOR 11kW GV2ME22	INTERRUTTORE MOTORE 11kW GV2ME22	1
		65312019	MOTORSCHUTZSCHALTER 18,5kW GV3P40 VERMOGENSCHAKEL. MOTOR 18,5kW GV3P40	DISJONCTEUR MOTEUR 18,5kW GV3P40 INTERRUPTOR MOTOR 18,5kW GV3P40	INTERRUTTORE MOTORE 18,5kW GV3P40	1
1585		65311795	HILFSSCHALTER GVAE11 HULPSCHAKELAAR GVAE11	CONTACT AUXILIAIRE GVAE11 INTERRUPTOR AUXILIAR GVAE11	INTERRUTTORE AUSILIARIO GVAE11	1
1595		65311796	MOTORSTARTER Y/D 18kW LC3D18AP7 MOTOR STARTER Y/D 18kW LC3D18AP7	DEMARREUR MOT. ET./TRI. 18kW LC3D18AP7 ARRANQUE MOTOR Y/D 18kW LC3D18AP7	AVVIATORE STELLA/TRIA. 18kW LC3D18AP7	1
		65311797	MOTORSTARTER Y/D 22kW LC3D32AP7 MOTOR STARTER Y/D 22kW LC3D32AP7	DEMARREUR MOT. ET./TRI. 22kW LC3D32AP7 ARRANQUE MOTOR Y/D 22kW LC3D32AP7	AVVIATORE STELLA/TRIA. 22kW LC3D32AP7	1
		65312015	MOTORSTARTER Y/D 11kW LC3D12AP7 MOTOR STARTER Y/D 11kW LC3D12AP7	DEMARREUR MOT. ET./TRI. 11kW LC3D12AP7 ARRANQUE MOTOR Y/D 11kW LC3D12AP7	AVVIATORE STELLA/TRIA. 11kW LC3D12AP7	1
1600		65312334	BRENNERSCHRANK KONTROLLEUCHE CONTROLELAMPJE ELEKTRISCHE KAST	VOYANT ARMOIRE ELECTRIQUE TESTIGO ARMARIO ELÉCTRICO	SPIA ARMADIO ELETTRICO	1
1601		65312335	2-STELL. KIPPSCHALTER SCHAKELAAR 2 POS.	INTERRUPTEUR 2 POS. INTERRUPTOR 2 POS.	INTERRUTTORE 2 POS.	1
1602		65312336	3-STELL. KIPPSCHALTER SCHAKELAAR 3 POS.	INTERRUPTEUR 3 POS. INTERRUPTOR 3 POS.	INTERRUTTORE 3 POS.	1
1604		65312337	2-STELL. DRUCKSCHALTER MOMENTANE SCHAKELAAR 2 POS.	INTERRUPTEUR 2 POS. INSTANTANE INTERRUPTOR DE ACCIÓN INSTANTÁN. 2 POS.	INTERRUTTORE 2 POS. INSTANTANEA	1
1605		65312341	BLINDDECKEL/BRENNERSCHRANKHAUBE AFSLUITER/KAP ELEKTRISCHE KAST	OBTURATEUR/ARMOIRE ELECTRIQUE CONJUNTO/CUBIERTA ARMARIO ELÉCTRICO	OTTURATORE/COPERCHIO ARMADIO ELETTR.	1
1610		65311758	KABELVERSCHRAUBUNG CLICK M20 SCHWARZ SCHROEFKLEM M20	BORNE A VISSER M20 TERMINAL A ATORNILLAR M20	MORSETTO AD AVVITARE M20	1
1611		65311451	KABELVERSCHRAUBUNG CLICK M16 SCHWARZ SCHROEFKLEM M16	BORNE A VISSER M16 BORNE A ATORNILLAR M16	MORSETTO AD AVVITARE M16	1
1612		65312852	KABELVERSCHRAUBUNG CLICK M25 PAKKINGBUS CLICK M25	PRESSE-ETOUPE CLICK M25 PRENSAESTOPAS CLICK M25	PREMISTOPPA CLICK M25	1
1700		65311446	BETAETIGUNGSWERKZEUG 2009-309 BEDIENINGSGEREEDSCHAP 2009-309	OUTIL DE MANOEUVRE 2009-309 HERRAMIENTA D.ACCIONAM. 2009-309	DISPOSITIVO DI MANOVRA 2009-309	1
2020		65311656	FLAMMENROHR D369/303 L555 DELTA BRANDERBUIJS D369/303 L555 DELTA	TUBE DE FLAMME D369/303 L555 DELTA TUBO DE LLAMA D369/303 L555 DELTA	BOCCAGLIO D369/303 L555 DELTA	1
		65311661	FLAMMENROHR D431,5/362 L605 DELTA BRANDERBUIJS D431,5/362 L605 DELTA	TUBE DE FLAMME D431,5/362 L605 DELTA TUBO DE LLAMA D431,5/362 L605 DELTA	BOCCAGLIO D431,5/362 L605 DELTA	1
		65312006	FLAMMENROHR D369/303 L695 DELTA BRANDERBUIJS D369/303 L695 DELTA	TUBE DE FLAMME D369/303 L695 DELTA TUBO DE LLAMA D369/303 L695 DELTA	BOCCAGLIO D369/303 L695 DELTA	1
		65312007	FLAMMENROHR D369/303 L835 DELTA BRANDERBUIJS D369/303 L835 DELTA	TUBE DE FLAMME D369/303 L835 DELTA TUBO DE LLAMA D369/303 L835 DELTA	BOCCAGLIO D369/303 L835 DELTA	1
		65312011	FLAMMENROHR D431,5/362 L755 DELTA BRANDERBUIJS D431,5/362 L755 DELTA	TUBE DE FLAMME D431,5/362 L755 DELTA TUBO DE LLAMA D431,5/362 L755 DELTA	BOCCAGLIO D431,5/362 L755 DELTA	1
		65312012	FLAMMENROHR D431,5/362 L905 DELTA BRANDERBUIJS D431,5/362 L905 DELTA	TUBE DE FLAMME D431,5/362 L905 DELTA TUBO DE LLAMA D431,5/362 L905 DELTA	BOCCAGLIO D431,5/362 L905 DELTA	1
2110		65311654	DRALLSTAUSCHEIBE D298/140 TKD230 45° STUWPLAAT D298/140 TKD230 45°	DEFLECTEUR D298/140 TKD230 45° DEFLECTOR D298/140 TKD230 45°	DIFFUSORE D298/140 TKD230 45°	1
		65311679	DRALLSTAUSCHEIBE D255/140 TKD230 45° STUWPLAAT D255/140 TKD230 45°	DEFLECTEUR D255/140 TKD230 45° DEFLECTOR D255/140 TKD230 45°	DIFFUSORE D255/140 TKD230 45°	1
		65311680	DRALLSTAUSCHEIBE D270/140 TKD230 45° STUWPLAAT D270/140 TKD230 45°	DEFLECTEUR D270/140 TKD230 45° DEFLECTOR D270/140 TKD230 45°	DIFFUSORE D270/140 TKD230 45°	1
		65311697	DRALLSTAUSCHEIBE D260/140 TKD230 45° STUWPLAAT D260/140 TKD230 45°	DEFLECTEUR D260/140 TKD230 45° DEFLECTOR D260/140 TKD230 45°	DIFFUSORE D260/140 TKD230 45°	1
2120	1688611605		VERSCHLUSSBOLZEN D12/30X40 VERGREDELINGSBOUT D12/30X40	OBTURATEUR D12/30X40 OBTURADOR D12/30X40	OTTURATORE D12/30X40	1
2130		65311698	GASDUJSE (ELLBOGEN) D40X2,2 L60 GAS VERSPREIDER (ELLEBOOG) D40X2,2 L60	INJECTEUR GAZ (COUDE) D40X2,2 L60 DIFUSOR DE GAS (CODO) D40X2,2 L60	DIFFUSORE GAS (GOMITO) D40X2,2 L60	1
		65311699	GASDUJSE (ELLBOGEN) D40X2,2 L70 GAS VERSPREIDER (ELLEBOOG) D40X2,2 L70	INJECTEUR GAZ (COUDE) D40X2,2 L70 DIFUSOR DE GAS (CODO) D40X2,2 L70	DIFFUSORE GAS (GOMITO) D40X2,2 L70	1
		65311703	GASDUJSE (ELLBOGEN) D40X2,2 GAS VERSPREIDER (ELLEBOOG) D40X2,2	INJECTEUR GAZ (COUDE) D40X2,2 DIFUSOR DE GAS (CODO) D40X2,2	DIFFUSORE GAS (GOMITO) D40X2,2	1
2140		65311653	GASDUJSE D30X60 45GR. GAS NOZZLE D30X60 45GR.	DIFFUSEUR GAZ D30X60 45GR. DIFUSOR GAS D30X60 45GR.	INIETTORE GAS D30X60 45GR.	1
		65311700	GASDUJSE D30X2 45 L40 GAS VERSPREIDER D30X2 45 L40	INJECTEUR GAZ D30X2 45 L40 DIFUSOR DE GAS D30X2 45 L40	DIFFUSORE GAS D30X2 45 L40	1
		65311711	GASDUJSE D30X45 45GR. GAS NOZZLE D30X45 45GR.	DIFFUSEUR GAZ D30X45 45GR. DIFUSOR GAS D30X45 45GR.	INIETTORE GAS D30X45 45GR.	1
2145		65311692	GASDUJSE D40X2,2X90 GAS NOZZLE D40X2,2X90	DIFFUSEUR GAZ D40X2,2X90 DIFUSOR GAS D40X2,2X90	INIETTORE GAS D40X2,2X90	1
		65311704	GASDUJSE D40X2,2X45GR GAS NOZZLE D40X2,2X45GR	DIFFUSEUR GAZ D40X2,2X45GR DIFUSOR GAS D40X2,2X45GR	INIETTORE GAS D40X2,2X45GR	1
2150		65310279	GASROHR D35X2,2X360 2XM5 GASBUIJS D35X2,2X360 2XM5	TUBE GAZ D35X2,2X360 2XM5 TUBERIA GAS D35X2,2X360 2XM5	TUBO GAS D35X2,2X360 2XM5	1

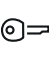
			 DE NL	 FR ES	 IT	
			GASROHR D35X2,2X360 GASBUIJS D35X2,2X360	TUBE GAZ D35X2,2X360 TUBERIA GAS D35X2,2X360	TUBO GAS D35X2,2X360	1
2155			GASROHR D35X2,2X360 1XM5 GASBUIJS D35X2,2X360 1XM5	TUBE GAZ D35X2,2X360 1XM5 TUBERIA GAS D35X2,2X360 1XM5	TUBO GAS D35X2,2X360 1XM5	1
2160			GASROHR D35X2,2X360 1XM5 GASBUIJS D35X2,2X360 1XM5	TUBE GAZ D35X2,2X360 1XM5 TUBERIA GAS D35X2,2X360 1XM5	TUBO GAS D35X2,2X360 1XM5	1
			GASROHR D35X2,2X360 GASBUIJS D35X2,2X360	TUBE GAZ D35X2,2X360 TUBERIA GAS D35X2,2X360	TUBO GAS D35X2,2X360	1
2170			GASDUJSE D30x2/D12x1,5 GAS VERSPREIDER D30x2/D12x1,5	INJECTEUR GAZ D30x2/D12x1,5 DIFUSOR DE GAS D30x2/D12x1,5	DIFFUSORE GAS D30x2/D12x1,5	1
			GASDUJSE D30X2/D12X1 L93 GAS NOZZLE D30X2/D12X1 L93	DIFFUSEUR GAZ D30X2/D12X1 L93 DIFUSOR GAS D30X2/D12X1 L93	INIETTORE GAS D30X2/D12X1 L93	1
2180			GASROHR D35x2,2x45GR. GASBUIJS D35x2,2x45GR.	TUBE GAZ D35x2,2x45GR. TUBERIA GAS D35x2,2x45GR.	TUBO GAS D35x2,2x45GR.	1
2190			IONISATIONSSONDE D11X110 d6,4d2,5X95 45° IONISATIEPEN D11X110 d6,4 D2,5X95 45°	SONDE IONISATION D11X110 d6,4D2,5X95 45° SONDA IONIZACION D11X110 d6,4D2,5X95 45°	SONDA RIVELAZIONE D11X110d6,4D2,5X95 45°	1
			IONISATIONSSONDE D11X110d6,4d2,5X130 45° IONISATIEPEN D11X110 d6,4 D2,5X130 45°	SONDE IONISATION D11X110d6,4D2,5X130 45° SONDA IONIZACION D11X110d6,4D2,5X130 45°	SONDA RIVELAZ. D11X110 d6,4 D2,5X130 45°	1
2200			ZUENDKABEL KPL. L1500 SILIKON ONTSTEKINGSKABEL SILICONE L1500	CABLE ALLUMAGE SILICONE LG1500 CABLE ENCENDIDO SILICONA L1500	CAVO ACCENSIONE SILICONE L1500	1
2210			ELEKTRODENHALTER ELEKTRODESTEUN	SUPPORT ELECTRODE SOPORTE ELECTRODO	SUPPORTO ELETTRODO	1
			ELEKTRODENHALTER (LANG) ELEKTRODESTEUN (LANG)	SUPPORT ELECTRODE (LONG) SOPORTE ELECTRODO (LARGO)	SUPPORTO ELETTRODO (LUNGO)	1
2230			ZUENDELEKTRODE D11X100 d6,4 D2,5X150 45° ONTSTEKINGSPEN D11X100 d6,4 D2,5X150 45°	ELECTRODE ALLU. D11X100 d6,4D2,5X150 45° ELECTRODO ENC. D11X100 d6,4 D2,5X150 45°	ELETTRODO ACC. D11X100 d6,4 D2,5X150 45°	1
2250			DICHTUNG F.OVALFLANSCH LGK DN100 AFDICHTING VOOR OVALE FLENS DN100	JOINT POUR BRIDE OVALE DN100 JUNTA PARA BRIDA OVALADA DN100	GUARNIZIONE PER FLANGIA OVALE DN100	1
2260			ZENTRIERSTÜTZE MZE N8/EKEVO8 CENTREERVOORZIENING N8/EKEVO8 N8/EKEVO8	PIED DE CENTRAGE N8/EKEVO8 PILAR DE CENTRAJE N8/EKEVO8	DISPOSITIVO DI CENTRAGGIO N8/EKEVO8	1
			ZENTRIERSTÜTZE MZE N9/EKEVO9 CENTREERVOORZIENING N8/EKEVO8 N9/EKEVO9	PIED DE CENTRAGE N9/EKEVO9 PILAR DE CENTRAJE N9/EKEVO9	DISPOSITIVO DI CENTRAGGIO N9/EKEVO9	1
3005			DICHTUNG DIN EN 1514-1 DN100 PN16 AFDICHTING DIN EN 1514-1 DN100 PN16	JOINT DIN EN 1514-1 DN100 PN16 JUNTA DIN EN 1514-1 DN100 PN16	GUARNIZIONE DIN EN 1514-1 DN100 PN16	1
3010			GASANSCHLUSSSTÜCK DN100-R2Z 2G1/4 PN16 GASAANSLUITBUIJS DN100-R2Z 2G1/4 PN16	COLLECTEUR DN100-R2Z 2G1/4 PN16 COLECTOR DN100-R2Z 2G1/4 PN16	COLLETTORE DN100-R2Z 2G1/4 PN16	1
3020			GER.-EINSCHRAUBVERS.P-GEV 8LR-WD-VI RECHTE AANSLUITING P-GEV 8LR-WD-VI	RACCORD DROIT P-GEV 8LR-WD-VI RACOR RECTO P-GEV 8LR-WD-VI	RACCORDO DESTRO P-GEV 8LR-WD-VI	1
3030			W-VERSCHRAUBUNG P-EWV 8-L GEBOGEN AANSLUITING P-EWV 8-L	RACCORD COUDE P-EWV 8-L RACOR ACODADO P-EWV 8-L	RACCORDO A GOMITO P-EWV 8-L	1
3040			MESSNIPPEL R1/4Z M.DICHTUNG MEETNIPPEL R1/4Z+AFDICHTING	PRISE DE PRESSION R1/4Z+JOINT TOMA DE PRESIÓN R1/4Z+JUNTA	PRESA DI PRESSIONE R1/4Z+GUARNIZIONE	1
3060			GASVENTIL VGD20 5011 RP2" GASKLEP VGD20 5011 RP2"	VANNE GAZ VGD20 5011 RP2" VALVULA GAS VGD20 5011 RP2"	VALVOLA GAS VGD20 5011 RP2"	1
3070			STELLANTRIEB SKP25.003E2 O. ENDSCHALTER REGELMOT. GAS SKP25.003E2 Z.EINDSCHALTE	SERVOMOT. GAZ SKP25.003E2 S.FIN COURSE SERVOMOTOR SKP25.003 E2 SIN FIN CARRERA	SERVOMOT. GAS SKP25.003E2 S.FINE CORSA	1
3080			ZWISCHENSTECKER AGA62.000A000 VERBINDINGSKABEL AGA62.000A000	CABLE DE LIAISON AGA62.000A000 CABLE AGA62.000A000	CAVO DI COLLEGAMENTO AGA62.000A000	1
3090			STELLANTRIEB SKP15.000E2 OHNE ENDSCHALT. REGELMOTOR GAS SKP15.000E2 Z.EINDSCHALTE	SERVOMOT.GAZ SKP15.000E2 SANS FIN COURSE SERVOMO. GAS SKP15.000E2 SIN FIN CARRERA	SERVOMOT.GAS SKP15.000E2 SENZ.FINE CORSA	1
3110			FLANSCH AGF10.50 RP2 FLENS AGF10.50 RP2	BRIDE AGF10.50 RP2 BRIDA AGF10.50 RP2	FLANGIA AGF10.50 RP2	1
3120			GASDRUCKWAECHTER GW 500 A5 30-500MB GASDRUKSCHAKELAAR GW 500 A5 30-500MB	MANOSTAT GAZ GW 500 A5 30-500MB PRESOSTATO GAS GW 500 A5 30-500MB	PRESSOSTATO GAS GW 500 A5 30-500MB	1
			GASDRUCKWAECHTER GW 150 A6 10-150MB GASDRUKSCHAKELAAR GW 150 A6 10-150MB	MANOSTAT GAZ GW 150 A6 10-150MB PRESOSTATO GAS GW 150 A6 10-150MB	PRESSOSTATO GAS GW 150 A6 10-150MB	1
3130			STECKDOSE AGA64 STEKKER VROUWELIJK AGA64	PRISE FEMELLE AGA64 TOMA HEMBRA AGA64	PRESA FEMMINA AGA64	1
3140			GERAETESTECKDOSE GDMW 30-11 DF STEKKER GDMW 30-11 DF	PRISE GDMW 30-11 DF TOMA GDMW 30-11 DF	PRESA GDMW 30-11 DF	1
3300			GASFILTER GF80M-1616-A-1 RP2 1BAR GASFILTER GF80M-1616-A-1 RP2 1BAR	FILTRE GAZ GF80M-1616-A-1 RP2 1BAR FILTRO GAS GF80M-1616-A-1 RP2 1BAR	FILTRO GAS GF80M-1616-A-1 RP2 1BAR	1
3301			ERSATZTEILSET F.GASFILTER GF 80M FILTERELEMENT GF 80M	ELEMENT FILTRANT GF 80M ELEMENTO FILTRANTE GF 80M	ELEMENTO FILTRANTE GF 80M	1
3505			DICHTUNG DIN EN 1514-1 DN100 PN16 AFDICHTING DIN EN 1514-1 DN100 PN16	JOINT DIN EN 1514-1 DN100 PN16 JUNTA DIN EN 1514-1 DN100 PN16	GUARNIZIONE DIN EN 1514-1 DN100 PN16	1
3510			GASANSCHLUSSSTÜCK DN100 / R2 GASAANSLUITBUIJS DN100 / R2	COLLECTEUR DN100 / R2 COLLECTOR DN100 / R2	COLLETTORE DN100 / R2	1
3580			GASVENTIL MBC1200 SE S82 RP2" 5-80 MBAR GASKLEP MBC1200 SE S82 RP2" 5-80 MBAR	VANNE GAZ MBC1200 SE S82 RP2" 5-80 MBAR VALVULA GAS MBC1200 SE S82 RP2" 5-80MBA	VALVOLA GAS MBC1200 SE S82 RP2" 5-80MBA	1
3620			FLANSCH MBC700/1200 RP2 FLENS MBC700/1200 RP2	BRIDE MBC700/1200 RP2 BRIDA MBC700/1200 RP2	FLANGIA MBC700/1200 RP2	1

		DE	FR	IT	
		NL	ES		
3640	65310852	GASDRUCKWAECHTER GW 500 A5 30-500MB GASDRUKSCHAKELAAR GW 500 A5 30-500MB	MANOSTAT GAZ GW 500 A5 30-500MB PRESOSTATO GAS GW 500 A5 30-500MB	PRESSOSTATO GAS GW 500 A5 30-500MB	1
	65311598	GASDRUCKWAECHTER GW 150 A5 30-150MB GASDRUKSCHAKELAAR GW 150 A5 30-150MB	MANOSTAT GAZ GW 150 A5 30-150MB PRESOSTATO GAS GW 150 A5 30-150MB	PRESSOSTATO GAS GW 150 A5 30-150MB	1
3650	65311615	GERAETESTECKDOSE GDMW 30-11 DF STEKKER GDMW 30-11 DF	PRISE GDMW 30-11 DF TOMA GDMW 30-11 DF	PRESA GDMW 30-11 DF	1
3700	13022417	FILTEREINSATZ F. GASVENTIL MBC1200 ZEEFILTER/GASKLEP MBC1200	FILTRE TAMIS/VANNE GAZ MBC1200 FILTRO DE TAMIZ/VÁLVULA DE GAS MBC1200	SET FILTRI/VALVOLA GAS MBC1200	1
3800	65311459	GASFILTER GF80M-1616-A-1 RP2 1BAR GASFILTER GF80M-1616-A-1 RP2 1BAR	FILTRE GAZ GF80M-1616-A-1 RP2 1BAR FILTRO GAS GF80M-1616-A-1 RP2 1BAR	FILTRO GAS GF80M-1616-A-1 RP2 1BAR	1
3801	65311361	ERSATZTEILSET F.GASFILTER GF 80M FILTERELEMENT GF 80M	ELEMENT FILTRANT GF 80M ELEMENTO FILTRANTE GF 80M	ELEMENTO FILTRANTE GF 80M	1
4005	65311613	DICHTUNG DIN EN 1514-1 DN100 PN16 AFDICHTING DIN EN 1514-1 DN100 PN16	JOINT DIN EN 1514-1 DN100 PN16 JUNTA DIN EN 1514-1 DN100 PN16	GUARNIZIONE DIN EN 1514-1 DN100 PN16	1
4010	65311674	GASANSCHLUSSSTÜCK DN100-DN65 GASAANSLUITBUIJS DN100/DN65	COLLECTEUR DN100/DN65 COLECTOR DN100/DN65	COLLETTORE DN100/DN65	1
	65311675	GASANSCHLUSSSTÜCK DN100-DN80 PN16 GASAANSLUITBUIJS DN100-DN80 PN16	COLLECTEUR DN100-DN80 PN16 COLECTOR DN100-DN80 PN16	COLLETTORE DN100-DN80 PN16	1
	65311676	GASANSCHLUSSSTÜCK DN100-DN100 PN16 GASAANSLUITBUIJS DN100/DN100	COLLECTEUR DN100/DN100 COLECTOR DN100/DN100	COLLETTORE DN100/DN100	1
	65311677	GASANSCHLUSSSTÜCK DN100-DN125 GASAANSLUITBUIJS DN100/DN125	COLLECTEUR DN100/DN125 COLECTOR DN100/DN125	COLLETTORE DN100/DN125	1
4020	65311601	GERADE-EINSCHRAUBST.P-EGES 12L/R 1/4WD RECHTE AANSLUITING P-EGES 12L/R 1/4WD	RACCORD DROIT P-EGES 12L/R 1/4WD RACOR RECTO P-EGES 12L/R 1/4WD	RACCORDO DESTRO P-EGES 12L/R 1/4WD	1
4030	65311608	WINKELANSCHLUSS (ELLSBOGEN) P-EWV12L-SV AANSLUITING (ELLEBOOG) P-EWV12L-SV	RACCORD (COUDE) P-EWV12L-SV RACOR (CODO) P-EWV12L-SV	RACCORDO (GOMITO) P-EWV12L-SV	1
4040	65311605	KREUZVERSCHR. P-KV12L AANSLUITING P-KV12L	RACCORD P-KV12L RACOR P-KV12L	RACCORDO P-KV12L	1
4060	65311607	VERSCHLUSSTOPFEN VSD 12L/S O.M.MB. STOP VSD 12L/S O.M.MB.	BOUCHON VSD 12L/S O.M.MB. TAPÓN VSD 12L/S O.M.MB.	TAPPO VSD 12L/S O.M.MB.	1
4070	65311601	GERADE-EINSCHRAUBST.P-EGES 12L/R 1/4WD RECHTE AANSLUITING P-EGES 12L/R 1/4WD	RACCORD DROIT P-EGES 12L/R 1/4WD RACOR RECTO P-EGES 12L/R 1/4WD	RACCORDO DESTRO P-EGES 12L/R 1/4WD	1
4080	65311453	GASVENTIL VGD40 125 DN125 GASKLEP VGD40 125 DN125	VANNE GAZ VGD40 125 DN125 VALVULA GAS VGD40 125 DN125	VALVOLA GAS VGD40 125 DN125	1
	65311583	GASVENTIL VGD40 080 DN80 GASKLEP VGD40 080 DN80	VANNE GAZ VGD40 080 DN80 VALVULA GAS VGD40 080 DN80	VALVOLA GAS VGD40 080 DN80	1
	65311590	GASVENTIL VGD40 100 DN100 GASKLEP VGD40 100 DN100	VANNE GAZ VGD40 100 DN100 VALVULA GAS VGD40 100 DN100	VALVOLA GAS VGD40 100 DN100	1
	65323661	GASVENTIL VGD40 065 DN65 GASKLEP VGD40 065 DN65	VANNE GAZ VGD40 065 DN65 VÁLVULA GAS VGD40 065 DN65	VALVOLA GAS VGD40 065 DN65	1
4090	65107100	STELLANTRIEB SKP25.003E2 O. ENDSCHALTER REGELMOT. GAS SKP25.003E2 Z.EINDSCHALTE	SERVOMOT. GAZ SKP25.003E2 S.FIN COURSE SERVOMOTOR SKP25.003 E2 SIN FIN CARRERA	SERVOMOT. GAS SKP25.003E2 S.FINE CORSA	1
4100	65311585	ZWISCHENSTECKER AGA62.000A000 VERBINDINGSKABEL AGA62.000A000	CABLE DE LIAISON AGA62.000A000 CABLE AGA62.000A000	CAVO DI COLLEGAMENTO AGA62.000A000	1
4110	1478836180	STELLANTRIEB SKP15.000E2 OHNE ENDSCHALT. REGELMOTOR GAS SKP15.000E2 Z.EINDSCHALTE	SERVOMOT.GAZ SKP15.000E2 SANS FIN COURSE SERVOMO. GAS SKP15.000E2 SIN FIN CARRERA	SERVOMOT.GAS SKP15.000E2 SENZ.FINE CORSA	1
4120	65311611	DICHTUNG DIN EN 1514-1 DN65/PN16 AFDICHTING DIN EN 1514-1 DN65/PN16	JOINT DIN EN 1514-1 DN65/PN16 JUNTA DIN EN 1514-1 DN65/PN16	GUARNIZIONE DIN EN 1514-1 DN65/PN16	1
	65311612	DICHTUNG DIN EN 1514-1DN 80 PN16 AFDICHTING DIN EN 1514-1DN 80 PN16	JOINT DIN EN 1514-1DN 80 PN16 JUNTA DIN EN 1514-1DN 80 PN16	GUARNIZIONE DIN EN 1514-1DN 80 PN16	1
	65311613	DICHTUNG DIN EN 1514-1 DN100 PN16 AFDICHTING DIN EN 1514-1 DN100 PN16	JOINT DIN EN 1514-1 DN100 PN16 JUNTA DIN EN 1514-1 DN100 PN16	GUARNIZIONE DIN EN 1514-1 DN100 PN16	1
	65311614	DICHTUNG DIN EN 1514-1 DN125 PN16 AFDICHTING DIN EN 1514-1 DN125 PN16	JOINT DIN EN 1514-1 DN125 PN16 JUNTA DIN EN 1514-1 DN125 PN16	GUARNIZIONE DIN EN 1514-1 DN125 PN16	1
4130	65311586	STECKDOSE AGA64 STEKKER VROUWELIJK AGA64	PRISE FEMELLE AGA64 TOMA HEMBRA AGA64	PRESA FEMMINA AGA64	1
4140	65311615	GERAETESTECKDOSE GDMW 30-11 DF STEKKER GDMW 30-11 DF	PRISE GDMW 30-11 DF TOMA GDMW 30-11 DF	PRESA GDMW 30-11 DF	1
4150	65310852	GASDRUCKWAECHTER GW 500 A5 30-500MB GASDRUKSCHAKELAAR GW 500 A5 30-500MB	MANOSTAT GAZ GW 500 A5 30-500MB PRESOSTATO GAS GW 500 A5 30-500MB	PRESSOSTATO GAS GW 500 A5 30-500MB	1
	65323022	GASDRUCKWAECHTER GW 150 A6 10-150MB GASDRUKSCHAKELAAR GW 150 A6 10-150MB	MANOSTAT GAZ GW 150 A6 10-150MB PRESOSTATO GAS GW 150 A6 10-150MB	PRESSOSTATO GAS GW 150 A6 10-150MB	1
4300	65311460	GASFILTER GF65MF-2020-A-1 DN65 1BAR GASFILTER GF65MF-2020-A-1 DN65 1BAR	FILTRE GAZ GF65MF-2020-A-1 DN65 1BAR FILTRO GAS GF65MF-2020-A-1 DN65 1BAR	FILTRO GAS GF65MF-2020-A-1 DN65 1BAR	1
	65311461	GASFILTER GF80MF-2424-A-1 DN80 1BAR GASFILTER GF80MF-2424-A-1 DN80 1BAR	FILTRE GAZ GF80MF-2424-A-1 DN80 1BAR FILTRO GAS GF80MF-2424-A-1 DN80 1BAR	FILTRO GAS GF80MF-2424-A-1 DN80 1BAR	1
	65311462	GASFILTER GF100MF-3232-A-1 DN100 1BAR GASFILTER GF100MF-3232-A-1 DN100 1BAR	FILTRE GAZ GF100MF-3232-A-1 DN100 1BAR FILTRO GAS GF100MF-3232-A-1 DN100 1BAR	FILTRO GAS GF100MF-3232-A-1 DN100 1BAR	1
	65311463	GASFILTER GF125MF-4040-A-1 DN125 1BAR GASFILTER GF125MF-4040-A-1 DN125 1BAR	FILTRE GAZ GF125MF-4040-A-1 DN125 1BAR FILTRO GAS GF125MF-4040-A-1 DN125 1BAR	FILTRO GAS GF125MF-4040-A-1 DN125 1BAR	1
4301	65311723	ERSATZTEILSET F.GASFILTER GF65MF FILTERELEMENT GF65MF	ELEMENT FILTRANT GF65MF ELEMENTO FILTRANTE GF65MF	ELEMENTO FILTRANTE GF65MF	1

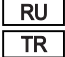
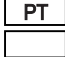
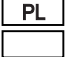

		DE NL	FR ES	IT	X
	65311888	ERSATZTEILSET F.GASFILTER GF80MF FILTERELEMENT GF80MF	ELEMENT FILTRANT GF80MF ELEMENTO FILTRANTE GF80MF	ELEMENTO FILTRANTE GF80MF	1
	65311889	ERSATZTEILSET F.GASFILTER GF100MF FILTERELEMENT GF100MF	ELEMENT FILTRANT GF100MF ELEMENTO FILTRANTE GF100MF	ELEMENTO FILTRANTE GF100MF	1
	65311890	ERSATZTEILSET F.GASFILTER GF125MF FILTERELEMENT GF125MF	ELEMENT FILTRANT GF125MF ELEMENTO FILTRANTE GF125MF	ELEMENTO FILTRANTE GF125MF	1
4505	65311613	DICHTUNG DIN EN 1514-1 DN100 PN16 AFDICHTING DIN EN 1514-1 DN100 PN16	JOINT DIN EN 1514-1 DN100 PN16 JUNTA DIN EN 1514-1 DN100 PN16	GUARNIZIONE DIN EN 1514-1 DN100 PN16	1
4510	65311674	GASANSCHLUSSSTÜCK DN100-DN65 GASAANSLUITBUIJS DN100/DN65	COLLECTEUR DN100/DN65 COLLECTOR DN100/DN65	COLLETTORE DN100/DN65	1
	65311675	GASANSCHLUSSSTÜCK DN100-DN80 PN16 GASAANSLUITBUIJS DN100-DN80 PN16	COLLECTEUR DN100-DN80 PN16 COLECTOR DN100-DN80 PN16	COLLETTORE DN100-DN80 PN16	1
	65311676	GASANSCHLUSSSTÜCK DN100-DN100 PN16 GASAANSLUITBUIJS DN100/DN100	COLLECTEUR DN100/DN100 COLLECTOR DN100/DN100	COLLETTORE DN100/DN100	1
4520	65311601	GERADE-EINSCHRAUBST.P-EGES 12L/R 1/4WD RECHTE AANSLUITING P-EGES 12L/R 1/4WD	RACCORD DROIT P-EGES 12L/R 1/4WD RACOR RECTO P-EGES 12L/R 1/4WD	RACCORDO DESTRO P-EGES 12L/R 1/4WD	1
4530	65311344	T-VERSCHRAUBUNG P-TV 12 L T-STUK P-TV 12 L	RACCORD EN T P-TV 12 L RACOR EN T P-TV 12 L	RACCORDO A T P-TV 12 L	1
4560	65311607	VERSCHLUSSTOPFEN VSD 12L/S O.M.MB. STOP VSD 12L/S O.M.MB.	BOUCHON VSD 12L/S O.M.MB. TAPÓN VSD 12L/S O.M.MB.	TAPPO VSD 12L/S O.M.MB.	1
4580	65311844	GASVENTIL MBC1900 SE DN65 40-80MBAR GASKLEP MBC1900 SE DN65 40-80MBAR	VANNE GAZ MBC1900 SE DN65 40-80MBAR VALVULA GAS MBC1900SE DN65 40-80MBAR	VALVOLA GAS MBC1900 SE DN65 40-80MBAR	1
	65311845	GASVENTIL MBC3100 SE DN80 40-80 MBAR GASKLEP MBC3100 SE DN80 40-80 MBAR	VANNE GAZ MBC3100 SE DN80 40-80 MBAR VALVULA GAS MBC3100 SE DN80 40-80 MBAR	VALVOLA GAS MBC3100 SE DN80 40-80 MBAR	1
	65311846	GASVENTIL MBC5000 SE DN100 40-80 MBAR GASKLEP MBC5000 SE DN100 40-80 MBAR	VANNE GAZ MBC5000 SE DN100 40-80 MBAR VALVULA GAS MBC5000 SE DN100 40-80 MBAR	VALVOLA GAS MBC5000 SE DN100 40-80 MBAR	1
4620	65311611	DICHTUNG DIN EN 1514-1 DN65/PN16 AFDICHTING DIN EN 1514-1 DN65/PN16	JOINT DIN EN 1514-1 DN65/PN16 JUNTA DIN EN 1514-1 DN65/PN16	GUARNIZIONE DIN EN 1514-1 DN65/PN16	1
	65311612	DICHTUNG DIN EN 1514-1DN 80 PN16 AFDICHTING DIN EN 1514-1DN 80 PN16	JOINT DIN EN 1514-1DN 80 PN16 JUNTA DIN EN 1514-1DN 80 PN16	GUARNIZIONE DIN EN 1514-1DN 80 PN16	1
	65311613	DICHTUNG DIN EN 1514-1 DN100 PN16 AFDICHTING DIN EN 1514-1 DN100 PN16	JOINT DIN EN 1514-1 DN100 PN16 JUNTA DIN EN 1514-1 DN100 PN16	GUARNIZIONE DIN EN 1514-1 DN100 PN16	1
4640	65310852	GASDRUCKWAECHTER GW 500 A5 30-500MB GASDRUKSCHAKELAAR GW 500 A5 30-500MB	MANOSTAT GAZ GW 500 A5 30-500MB PRESOSTATO GAS GW 500 A5 30-500MB	PRESSOSTATO GAS GW 500 A5 30-500MB	1
	65323022	GASDRUCKWAECHTER GW 150 A6 10-150MB GASDRUKSCHAKELAAR GW 150 A6 10-150MB	MANOSTAT GAZ GW 150 A6 10-150MB PRESOSTATO GAS GW 150 A6 10-150MB	PRESSOSTATO GAS GW 150 A6 10-150MB	1
4650	65311615	GERAETESTECKDOSE GDMW 30-11 DF STEKKER GDMW 30-11 DF	PRISE GDMW 30-11 DF TOMA GDMW 30-11 DF	PRESA GDMW 30-11 DF	1
4800	65311460	GASFILTER GF65MF-2020-A-1 DN65 1BAR GASFILTER GF65MF-2020-A-1 DN65 1BAR	FILTRE GAZ GF65MF-2020-A-1 DN65 1BAR FILTRO GAS GF65MF-2020-A-1 DN65 1BAR	FILTRO GAS GF65MF-2020-A-1 DN65 1BAR	1
	65311461	GASFILTER GF80MF-2424-A-1 DN80 1BAR GASFILTER GF80MF-2424-A-1 DN80 1BAR	FILTRE GAZ GF80MF-2424-A-1 DN80 1BAR FILTRO GAS GF80MF-2424-A-1 DN80 1BAR	FILTRO GAS GF80MF-2424-A-1 DN80 1BAR	1
	65311462	GASFILTER GF100MF-3232-A-1 DN100 1BAR GASFILTER GF100MF-3232-A-1 DN100 1BAR	FILTRE GAZ GF100MF-3232-A-1 DN100 1BAR FILTRO GAS GF100MF-3232-A-1 DN100 1BAR	FILTRO GAS GF100MF-3232-A-1 DN100 1BAR	1
4801	65311723	ERSATZTEILSET F.GASFILTER GF65MF FILTERELEMENT GF65MF	ELEMENT FILTRANT GF65MF ELEMENTO FILTRANTE GF65MF	ELEMENTO FILTRANTE GF65MF	1
	65311888	ERSATZTEILSET F.GASFILTER GF80MF FILTERELEMENT GF80MF	ELEMENT FILTRANT GF80MF ELEMENTO FILTRANTE GF80MF	ELEMENTO FILTRANTE GF80MF	1
	65311889	ERSATZTEILSET F.GASFILTER GF100MF FILTERELEMENT GF100MF	ELEMENT FILTRANT GF100MF ELEMENTO FILTRANTE GF100MF	ELEMENTO FILTRANTE GF100MF	1
5002	65312445	FEUERUNGSAUT. BT320 BASISEINSTELL. BRANDERAUT. BT320 BASIS AFSTELLING	COFFRET BT320 REGLAGE DE BASE PROGRAMADOR BT320 CONFIGUR. BÁSICA	APPARECCH. BT320 REGOL. BASE	1
	65312446	FEUERUNGSAUT. BT330 BASISEINSTELL. BRANDERAUT. BT330 BASIS AFSTELLING	COFFRET BT330 REGLAGE DE BASE PROGRAMADOR BT330 CONFIGUR. BÁSICA	APPARECCH. BT330 REGOL. BASE	1
	65312448	FEUERUNGSAUT. BT320 SPEZIAL EINSTELL. BRANDERAUT. BT320 SPEZIAL. AFSTELLING	COFFRET BT320 REGLAGE SPECIFIQUE PROGRAMADOR BT320 CONFIG. ESPECÍFICA	APPARECCH. BT320 REGOL. SPEZIAL.	1
	65312449	FEUERUNGSAUT. BT330 SPEZIAL EINSTELL. BRANDERAUT. BT330 SPEZIAL. AFSTELLING	COFFRET BT330 REGLAGE SPECIFIQUE PROGRAMADOR BT330 CONFIG. ESPECÍFICA	APPARECCH. BT330 REGOL. SPEZIAL.	1
	65312452	FEUERUNGSAUT. BT320 G-E,EU3,EF3(FQZ.UM.) BRANDERAUT.BT320 G-E,G-EU3,G-EF3(+FQ.O.)	COFFRET BT320 G-E,G-EU3,G-EF3(+REG.FRQ.) PROGR.BT320 G-E,G-EU3,G-EF3(+CONV.FREQ.)	APPAREC.BT320 G-E, G-EU3,G-EF3(+VARIAT.)	1
5010	65311362	PRUEFBR.M.DRUCKKNOPFHahn PB2 PROEFBRANDER MET DRUKKNOP PB2	BRULEUR ESSAI AVEC B. POUSSOIR PB2 QUEMADOR DE PRUEBA CON PULSADOR PB2	BRUCIATORE DI PROVA CON PULSANTE PB2	1
5015	65311790	LCM100 MODUL (LSB-M 667R0500-1) LCM100-MODULE (LSB-M 667R0500-1)	MODULE LCM100 (LSB-M 667R0500-1) MÓDULO LCM100 (LSB-M 667R0500-1)	MODULO LCM100 (LSB-M 667R0500-1)	1
5020	65311918	VSM100 MODUL VMS100-MODULE	MODULE VSM100 MÓDULO VSM100	MODULO VSM100	1
5035	65312550	IND. NÄHERUNGSSCHALTER NAMUR NI5-G12-Y1 SENSOR NAMUR NI5-G12-Y1	CAPTEUR NAMUR NI5-G12-Y1 SENSOR NAMUR NI5-G12-Y1	SENSORE NAMUR NI5-G12-Y1	1
5300	65114033	UNIVERSALREGLER RWF 55.50A9 REGELAAR RWF 55.50A9	REGULATEUR RWF 55.50A9 REGULADOR RWF 55.50A9	REGOLATORE RWF 55.50A9	1
5500	65312274	FOTOZELLE FFS08-UV1 659D31 - 5M W/O FOTOCEL FFS08-UV1 659D31 - 5M W/O	CELLULE FFS08-UV1 659D31 - 5M W/O CELULA FFS08-UV1 659D31 - 5M W/O	CELLULA FFS08-UV1 659D31 - 5M W/O	1



		RU TR	PT	PL	X
1040	65311665	ВОЗДУХОЗАБОРНИК D332x127,5 HAVA GİRİŞ D332x127,5	ENTRADA DE AR D332x127,5	WLOT POWIETRZA D332x127,5	1
	65311672	ВОЗДУХОЗАБОРНИК D318x134 HAVA GİRİŞ D318x134	ENTRADA DE AR D318x134	WLOT POWIETRZA D318x134	1
	65311673	ВОЗДУХОЗАБОРНИК D288x127 HAVA GİRİŞ D288x127	ENTRADA DE AR D288x127	WLOT POWIETRZA D288x127	1
1050	1180603227	БЕСЦВЕТ. ГЛАЗОК ДЛЯ КОНТРОЛЯ ПЛАМЕНИ RENKSİZ GÖZETLEME CAMI D55X21	VIGIA INCOLOR D55X21	WZIERNIK BEZBARWNA D55X21	1
1060	1188052260	ГЛАЗОК ДЛЯ КОНТРОЛЯ ПЛАМЕНИ КОРОБ KARAK/GÖZETLEME CAMI D55X61	TAMPA VIGIA D55X61	POKRYWA/WZIERNIK D55X61	1
1065	65312849	ШКАЛУ-ИНДИКАТОР ХОДА ЕКЕВО 8/9 INDICATOR ISKALA EKEVO 8/9	INDICADOR AJUST. CON ESCALA EKEVO 8/9	WSKAŹNIK + SKALI EKEVO 8/9	1
1070	1180559591	ГАЙКА/ГЛАЗОК ДЛЯ КОНТРОЛЯ ПЛАМЕНИ SOMUN/GÖZETLEME CAMI M48X1,5 SW60	PARAFUSO VIGIA M48X1,5 SW60	NAKRĘTKA/WZIERNIK M48X1,5 SW60	1
1075	65312851	ОСЬ ЗАСЛОНКИ УКАЗАТЕЛЯ ЕКЕВО 8/9 GÖSTERGE KLAPE AKSI EKEVO 8/9	VEIO ALETA AR COM PONTEIRO EKEVO 8/9	OS PRZEPUSTNICY WSKAZNIK EKEVO 8/9	1
1076	65312854	ОСЬ ЗАСЛОНКИ СЕРВОДВИГАТЕЛЬ ЕКЕВО8/9G GÖSTERGE KLAPE AKSI SERVOMOT. EKEVO8/9G	VEIO ALETA AR ACTUADOR EKEVO8/9G	OS PRZEPUSTNICY SERWOMOTOR EKEVO8/9G	1
1080	65311663	РАБОЧЕЕ КОЛЕСО D580/334X92 d48 TÜRBİN D580/334X92 d48	TURBINA D580/334X92 d48	WIMIK D580/334X92 d48	1
	65311664	РАБОЧЕЕ КОЛЕСО D580/334X90 d42 TÜRBİN D580/334X90 d42	TURBINA D580/334X90 d42	WIMIK D580/334X90 d42	1
	65311670	РАБОЧЕЕ КОЛЕСО D556/320X86 d42 TÜRBİN D556/320X86 d42	TURBINA D556/320X86 d42	WIMIK D556/320X86 d42	1
	65311671	РАБОЧЕЕ КОЛЕСО D525/290X81 d42 TÜRBİN D525/290X81 d42	TURBINA D525/290X81 d42	WIMIK D525/290X81 d42	1
1090	65311471	ТРАНСФО РОЗЖИГА ЕБИ 1X11 230V ATEŞLEME TRAFO. EBI 1X11 230V	TRANSFO IGNIÇÃO EBI 1X11 230V	TRANSFO ZAPŁONOWY EBI 1X11 230V	1
1100	65311472	ЗЕРКАЛО/ГЛАЗОК ДЛЯ КОНТРОЛЯ ПЛАМЕНИ AYNA/GÖZETLEME CAMI	ESPELHO/VIGIA	LUSTRO/WZIERNIK	1
1110	65311595	РЕЛЕ ДАВ. ВОЗДУХА LGW 50 A2P 2,5-50MB HAVA BASINÇ ŞALT. LGW 50 A2P 2,5-50MB	PRESSOSTATO AR LGW 50 A2P 2,5-50MB	CZUJNIK CIŚ. POW. LGW 50 A2P 2,5-50MB	1
1120	65312855	ГАЗОВЫЙ КЛАПАН+СЕРВОДВИГАТЕЛЬ В СБОРЕ GAZ KLAPEŞİ+KOMPLE SERVO MOTOR	VÁLVULA DE GÁS + ATUADOR COMPLETO	ZAWÓR GAZU+SERWOMOTOR KOMPLETNY	1
1121	65312853	ГАЗОВЫЙ КЛАПАН RP4 STE4,5 3N-STM30+O'RG GAZ KLAPEŞİ RP4 STE4,5 3N-STM30+O'RING	VÁLVULA GÁS RP4 STE4,5 3N-STM30+O'RING	ZAWÓR GAZU.RP4 STE4,5 3N-STM30+O'RING	1
1122	65323999	O-RING NBR 8475 (120,00x6,99) O-RING NBR 8475 (120,00x6,99)	O-RING NBR 8475 (120,00x6,99)	O-RING NBR 8475 (120,00x6,99)	1
1150	65311650	СЕРВОДВИГАТЕЛЬ STE 4,5 BT3XX SERVOMOTOR STE 4,5 BT3XX	SERVOMOTOR STE 4,5 BT3XX	SERWOMOTOR STE 4,5 BT3XX	1
1160	65311650	СЕРВОДВИГАТЕЛЬ STE 4,5 BT3XX SERVOMOTOR STE 4,5 BT3XX	SERVOMOTOR STE 4,5 BT3XX	SERWOMOTOR STE 4,5 BT3XX	1
1170	65326333	ЭЛЕКТРОДВИГАТЕ. 11KW 400/690 D42 IE3 BK MOTORU 11KW 400/690V D42 IE3 ELV BLACK	MOTOR 11KW 400/690V D42 IE3 ELV NEGRO	SILNIK 11KW 400/690V D42 IE3 ELV BLACK	1
	65326334	ЭЛЕКТРОДВИГАТЕ. 15KW 400/690V D42 IE3 BK MOTORU 15KW 400/690V D42 IE3 ELV BLACK	MOTOR 15KW 400/690V D42 IE3 ELV NEGRO	SILNIK 15KW 400/690V D42 IE3 ELV BLACK	1
	65326335	ЭЛЕКТРОДВИГА. 18,5KW 400/690V D42 IE3 BK MOTORU 18,5KW 400/690V D42 IE3 ELV BLACK	MOTOR 18,5KW 400/690V D42 IE3 ELV NEGRO	SILNIK 18,5KW 400/690V D42 IE3 ELV BLACK	1
	65326336	ЭЛЕКТРОДВИГАТЕ. 22KW 400/690V D48 IE3 BK MOTORU 22KW 400/690V D48 IE3 ELV BLACK	MOTOR 22KW 400/690V D48 IE3 ELV NEGRO	SILNIK 22KW 400/690V D48 IE3 ELV BLACK	1
1171	65311933	САЛБНИК M32X1,5 KABLO BEZİ M32X1,5	PRENSAESTOPAS M32X1,5	DLAWNICA M32X1,5	1
	65311934	САЛБНИК M40X1,5 KABLO BEZİ M40X1,5	PRENSAESTOPAS M40X1,5	DLAWNICA M40X1,5	1
1172	65312850	ТЕРМИНАЛ ВИНТ РАСШИРЕНИЕ M32-M40 KABLO BEZİ UZANTISI M32-M40	EXTENSAO PRENSAESTOPAS M32-M40	PRZEDŁUŻENIE DŁAWIK M32-M40	1
1200	65312856	ВОЗДУШНАЯ ЗАСЛОНКА В СБОРЕ ЕКЕВО8/9 DONANIMLI HAVA KLAPEŞİ EKEVO8/9	CONJUNTO ALETA DE AR EKEVO8/9	PRZEPUSTNICA POWIETR. Z OSPR.EKEVO8/9	1
1400	65312848	ЗУБЧАТОЕ КОЛЕ. Z=100 M=1 BO=12MM ЕКЕВО8/9 DIŞLI ÇARK Z=100 M=1 BO=12MM ЕКЕВО8/9	RODA DENTADA Z=100 M=1 BO=12MM EKEVO8/9	KOŁO ZĘBATE Z=100 M=1 BO=12MM EKEVO8/9	1
1510	65312340	ЧЕХОЛ ЭЛЕКТРОННОГО ЩИТА ELEKTRİK MUHAFAZA KAPAĞI	TAMPA DO ARMÁRIO ELÉTRICO	POKRYWA URZĄDZEŃ ELEKTRYCZNYCH	1
1512	65312338	ЗАГЛУШКА/РЕГУЛЯТОР 92X45 IP54 OBTURATOER/REGÜLATÖR 92X45 IP54	TAMPA CEGA/CONTROLADOR 92X45 IP54	ZASŁEPKA/REGULATOR 92X45 IP54	1
1520	65300975	ДИСПЛЕЙ FOR БЛОК УПРАВЛЕНИЯ BT3XX EKRAN KUTU BT3XX	VISOR UNIDADE DE CONTROLE BT3XX	WYŚWIETLACZ MODUŁ BT3XX	1
1525	65311364	УПЛОТНИТЕЛЬНАЯ ПРОКЛАДКА/ДИСПЛЕЙ CONTA/EKRAN	JUNTA/VISOR	USZCZELKA/WYŚWIETLACZ	1
1530	65312451	БЛОК УПРАВЛЕНИЯ BT320 G-E, G-EU3, G-EF3 KUTU BT320 G-E, G-EU3, G-EF3	UNIDADE CONTROLE BT320 G-E, G-EU3	MODUŁ BT320 G-E, G-EU3, G-EF3	1
1580	65311798	РАЗЪЕДИНИТ. ЭЛЕКТРОДВИ. 15kW GV2ME32 DEVRE KESİCİ MOTOR 15kW GV2ME32	DISJUNTOR MOTOR 15kW GV2ME32	WYŁĄCZNIKI SILNIK 15kW GV2ME32	1

						
		<b>RU</b> <b>TR</b>	<b>PT</b>	<b>PL</b>		
	65311917	РАЗЪЕДИНИТ. ЭЛЕКТРОДВИ. 22kW GV3P50 DEVRE KESİCİ MOTOR 22kW GV3P50	DISJUNTOR MOTOR 22kW GV3P50	WYŁĄCZNIKI SILNIK 22kW GV3P50	1	
	65312018	РАЗЪЕДИНИТ. ЭЛЕКТРОДВИ. 11kW GV2ME22 DEVRE KESİCİ MOTOR 11kW GV2ME22	DISJUNTOR MOTOR 11kW GV2ME22	WYŁĄCZNIKI SILNIK 11kW GV2ME22	1	
	65312019	РАЗЪЕДИНИТ. ЭЛЕКТРОДВИ. 18,5kW GV3P40 DEVRE KESİCİ MOTOR 18,5kW GV3P40	DISJUNTOR MOTOR 18,5kW GV3P40	WYŁĄCZNIKI SILNIK 18,5kW GV3P40	1	
1585	65311795	ВСПОМОГАТЕЛЬНЫЙ ПЕРЕКЛЮЧАТЕЛЬ GVAE11 YARDIMCI ANAHTARI GVAE11	INTERRUPTOR AUXILIAR GVAE11	PRZEŁĄCZNIK POMOCNICZY GVAE11	1	
1595	65311796	ПУСКАТЕЛЬ ДВИГАТЕЛЯ Y/D 18kW LC3D18AP7 MARŞ MOTORU Y/D 18kW LC3D18AP7	ARRANCADOR MOTOR Y/D 18kW LC3D18AP7	ROZRUSZ. SILNIKA Y/D 18kW LC3D18AP7	1	
	65311797	ПУСКАТЕЛЬ ДВИГАТЕЛЯ Y/D 22kW LC3D32AP7 MARŞ MOTORU Y/D 22kW LC3D32AP7	ARRANCADOR MOTOR Y/D 22kW LC3D32AP7	ROZRUSZ. SILNIKA Y/D 22kW LC3D32AP7	1	
	65312015	ПУСКАТЕЛЬ ДВИГАТЕЛЯ Y/D 11kW LC3D12AP7 MARŞ MOTORU Y/D 11kW LC3D12AP7	ARRANCADOR MOTOR Y/D 11kW LC3D12AP7	ROZRUSZ. SILNIKA Y/D 11kW LC3D12AP7	1	
1600	65312334	СИГНАЛЬНАЯ ЛАМПА ЭЛЕКТРОННОГО ЩИТА İKAZ IŞIĞI ELEKTRİK MUHAFAZA	LUZ INDICADORA DO ARMÁRIO ELÉTRICO	LAMPKA KONTROLNA URZĄDZEŃ ELEKTRY.	1	
1601	65312335	ПЕРЕКЛЮЧАТЕЛЬ 2 ПОЗ. ANAHTARI İKİ POZİSYONLU	INTERRUPTOR 2 POS.	PRZEŁĄCZNIK 2 POZ.	1	
1602	65312336	ПЕРЕКЛЮЧАТЕЛЬ 3 ПОЗ. ANAHTARI ÜÇ POZİSYONLU	INTERRUPTOR 3 POS.	PRZEŁĄCZNIK 3 POZ.	1	
1604	65312337	ПЕРЕКЛЮЧАТЕЛЬ 2 ПОЗ. МОМЕНТ. СНИМОК ANAHTARI İKİ POZİSYONLU ANINDA	INTERRUPTOR MOMENTÂNEO 2 POS.	PRZEŁĄCZNIK 2 POZ. MIGAWKA	1	
1605	65312341	ЗАГЛУШКА/ЧЕХОЛ ЭЛЕКТРОННОГО ЩИТА OBTURATOR/ELEKTR. MUHAFAZA KAPAĞI	TAMPA CEGA/TAMPA DO ARMÁRIO ELÉTRICO	ZASŁEPKA/POKRYWA URZĄDZEŃ ELEKTR.	1	
1610	65311758	ТЕРМИНАЛ ВИНТ M20 VIDALI TERMINAL M20	TERMINAL DE APARAFUSAR M20	ZACISKI ŚRUBOWE M20	1	
1611	65311451	ТЕРМИНАЛ ВИНТ M16 VIDALI TERMINAL M16	TERMINAL DE APARAFUSAR M16	ZACISKI ŚRUBOWE M16	1	
1612	65312852	КАБЕЛЬНЫЙ ВВОД CLICK M25 KABLO BEZİ CLICK M25	PRENSAESTOPAS CLICK M25	DŁAWNICA CLICK M25	1	
1700	65311446	ИНСТРУМЕНТЫ 2009-309 İŞLETİM ARAC 2009-309	FERRAMENTA 2009-309	NARZĘD. D.PRZEŁĄCZANIA 2009-309	1	
2020	65311656	СОПЛО ГОРЕЛКИ D369/303 L555 DELTA BRÜLÖR BORUSU D369/303 L555 DELTA	TUBO DO QUEIMADOR D369/303 L555 DELTA	RURA PALNIKA D369/303 L555 DELTA	1	
	65311661	СОПЛО ГОРЕЛКИ D431,5/362 L605 DELTA BRÜLÖR BORUSU D431,5/362 L605 DELTA	TUBO DO QUEIMADOR D431,5/362 L605 DELTA	RURA PALNIKA D431,5/362 L605 DELTA	1	
	65312006	СОПЛО ГОРЕЛКИ D369/303 L695 DELTA BRÜLÖR BORUSU D369/303 L695 DELTA	TUBO DO QUEIMADOR D369/303 L695 DELTA	RURA PALNIKA D369/303 L695 DELTA	1	
	65312007	СОПЛО ГОРЕЛКИ D369/303 L835 DELTA BRÜLÖR BORUSU D369/303 L835 DELTA	TUBO DO QUEIMADOR D369/303 L835 DELTA	RURA PALNIKA D369/303 L835 DELTA	1	
	65312011	СОПЛО ГОРЕЛКИ D431,5/362 L755 DELTA BRÜLÖR BORUSU D431,5/362 L755 DELTA	TUBO DO QUEIMADOR D431,5/362 L755 DELTA	RURA PALNIKA D431,5/362 L755 DELTA	1	
	65312012	СОПЛО ГОРЕЛКИ D431,5/362 L905 DELTA BRÜLÖR BORUSU D431,5/362 L905 DELTA	TUBO DO QUEIMADOR D431,5/362 L905 DELTA	RURA PALNIKA D431,5/362 L905 DELTA	1	
2110	65311654	ДЕФЛЕКТОР D298/140 TKD230 45° DEFLEKTOR D298/140 TKD230 45°	DEFLECTOR D298/140 TKD230 45°	DEFLEKTOR D298/140 TKD230 45°	1	
	65311679	ДЕФЛЕКТОР D255/140 TKD230 45° DEFLEKTOR D255/140 TKD230 45°	DEFLECTOR D255/140 TKD230 45°	DEFLEKTOR D255/140 TKD230 45°	1	
	65311680	ДЕФЛЕКТОР D270/140 TKD230 45° DEFLEKTOR D270/140 TKD230 45°	DEFLECTOR D270/140 TKD230 45°	DEFLEKTOR D270/140 TKD230 45°	1	
	65311697	ДЕФЛЕКТОР D260/140 TKD230 45° DEFLEKTOR D260/140 TKD230 45°	DEFLECTOR D260/140 TKD230 45°	DEFLEKTOR D260/140 TKD230 45°	1	
2120	1688611605	ЗАГЛУШКА D12/30X40 KERENK D12/30X40	OBTURADOR D12/30X40	ZASŁEPKA D12/30X40	1	
2130	65311698	ГАЗОВЫЕ ДИФФУЗОРЫ (ЛОКОТЬ) D40X2,2 L60 GAZ DİFÜZOERÜ (DIRSEK) D40X2,2 L60	BICO DE GÁS (COTOVELO) D40X2,2 L60	DYSZA GAZU (ŁOKIEĆ) D40X2,2 L60	1	
	65311699	ГАЗОВЫЕ ДИФФУЗОРЫ (ЛОКОТЬ) D40X2,2 L70 GAZ DİFÜZOERÜ (DIRSEK) D40X2,2 L70	BICO DE GÁS (COTOVELO) D40X2,2 L70	DYSZA GAZU (ŁOKIEĆ) D40X2,2 L70	1	
	65311703	ГАЗОВЫЕ ДИФФУЗОРЫ (ЛОКОТЬ) D40X2,2 GAZ DİFÜZOERÜ (DIRSEK) D40X2,2	BICO DE GÁS (COTOVELO) D40X2,2	DYSZA GAZU (ŁOKIEĆ) D40X2,2	1	
2140	65311653	ГАЗОВЫЕ ДИФФУЗОРЫ D30X60 45GR. GAZ DİFÜZOERÜ D30X60 45GR.	BICO DE GÁS D30X60 45GR.	DYSZA GAZU D30X60 45GR.	1	
	65311700	ГАЗОВЫЕ ДИФФУЗОРЫ D30X2 45 L40 GAZ DİFÜZOERÜ D30X2 45 L40	BICO DE GÁS D30X2 45 L40	DYSZA GAZU D30X2 45 L40	1	
	65311711	ГАЗОВЫЕ ДИФФУЗОРЫ D30X45 45GR. GAZ DİFÜZOERÜ D30X45 45GR.	BICO DE GÁS D30X45 45GR.	DYSZA GAZU D30X45 45GR.	1	
2145	65311692	ГАЗОВЫЕ ДИФФУЗОРЫ D40X2,2X90 GAZ DİFÜZOERÜ D40X2,2X90	BICO DE GÁS D40X2,2X90	DYSZA GAZU D40X2,2X90	1	
	65311704	ГАЗОВЫЕ ДИФФУЗОРЫ D40X2,2X45GR GAZ DİFÜZOERÜ D40X2,2X45GR	BICO DE GÁS D40X2,2X45GR	DYSZA GAZU D40X2,2X45GR	1	
2150	65310279	ГАЗОВЫЙ ТРУБКА D35X2,2X360 2XM5 GAZ TUPLU D35X2,2X360 2XM5	TUBO GAS D35X2,2X360 2XM5	BORUSU GAZOWY D35X2,2X360 2XM5	1	

		RU TR	PT	PL	X
	65311710	ГАЗОВЫЙ ТРУБКА D35X2,2X360 GAZ TUPLU D35X2,2X360	TUBO GAS D35X2,2X360	BORUSU GAZOWY D35X2,2X360	1
2155	65310278	ГАЗОВЫЙ ТРУБКА D35X2,2X360 1XM5 GAZ TUPLU D35X2,2X360 1XM5	TUBO GAS D35X2,2X360 1XM5	BORUSU GAZOWY D35X2,2X360 1XM5	1
2160	65310278	ГАЗОВЫЙ ТРУБКА D35X2,2X360 1XM5 GAZ TUPLU D35X2,2X360 1XM5	TUBO GAS D35X2,2X360 1XM5	BORUSU GAZOWY D35X2,2X360 1XM5	1
	65311702	ТРУБКА ГАЗОВЫЕ D35X2,2X360 GAZ TUPLU D35X2,2X360	TUBO GAS D35X2,2X360	BORUSU GAZOWY D35X2,2X360	1
2170	65311683	ГАЗОВЫЕ ДИФФУЗОРЫ D30x2/D12x1,5 GAZ DIFÜZOERÜ D30x2/D12x1,5	BICO DE GÁS D30x2/D12x1,5	DYSZA GAZU D30x2/D12x1,5	1
	65311693	ГАЗОВЫЕ ДИФФУЗОРЫ D30X2/D12X1 L90 GAZ DIFÜZOERÜ D30X2/D12X1 L90	BICO DE GÁS D30X2/D12X1 L90	DYSZA GAZU D30X2/D12X1 L90	1
2180	65311712	ГАЗОВЫЙ ТРУБКА D35x2.2x45GR. GAZ TUPLU D35x2.2x45GR.	TUBO GAS D35x2.2x45GR.	BORUSU GAZOWY D35x2.2x45GR.	1
2190	65311691	ДАТЧИК ИОНИЗА. D11X110 d6,4 D2,5X95 45° İYONIZASYON SONDA D11X110d6,4d2,5X95 45°	SONDA IONIZACION D11X110 d6,4D2,5X95 45°	SONDA JONIZACYJNY D11X110d6,4d2,5X95 45°	1
	65311694	ДАТЧИК ИОНИЗА. D11X110 d6,4 D2,5X130 45° İYONIZA. SONDA D11X110 d6,4 D2,5X130 45°	SONDA IONIZACION D11X110d6,4D2,5X130 45°	SONDA JONIZAC. D11X110 d6,4 D2,5X130 45°	1
2200	1728777751	РОЗЖИГОВЫЙ КАБЕЛЬ СИЛИКОНОВЫЙ L1500 ATEŞLEME KABLOSU SILIKON L1500	CABO DE IGNIÇÃO SILICONE C.1500	PRZEWÓD ZAPŁONOWY SILIKON L1500	1
2210	65311662	ДЕРЖАТЕЛЬ ЭЛЕКТРОД DESTEĞİ ELEKTROD	SUPORTE ELETRODO	WSPORNIK ELEKTRODA	1
	65311695	ДЕРЖАТЕЛЬ ЭЛЕКТРОД (ПОДОЛГУ) DESTEĞİ ELEKTROD (UZUN)	SUPORTE ELETRODO (LONGO)	WSPORNIK ELEKTRODA (DŁUGI)	1
2230	65311690	ЭЛЕКТРОД ЗАЖИ. D11X100D6,4D2,5X150 45° ATEŞLEYİCİ ELEKT.D11X100D6,4D2,5X150 45°	ELETRODO ENC. D11X100 d6,4 D2,5X150 45°	ELEKTRODA ALU. D11X100 d6,4 D2,5X150 45°	1
2250	65311713	ПРОКЛАДКА ДЛЯ ОВАЛЬНОГО ФЛАНЦА DN100 CONTASI OVAL FLANŞ İÇİN DN100	GAXETA PARA FLANGE OVAL DN100	USZCZELKA ZA KOŁNIERZ OWALNY DN100	1
2260	65312022	ЦЕНТРИРОВАНИЯ СТОЛБ N8/EKEVO8 MERKEZLEME AYAGI N8/EKEVO8	PILAR DE CENTRAGEM N8/EKEVO8	CENTROWANIE FILAR N8/EKEVO8	1
	65312023	ЦЕНТРИРОВАНИЯ СТОЛБ N9/EKEVO9 MERKEZLEME AYAGI N9/EKEVO9	PILAR DE CENTRAGEM N9/EKEVO9	CENTROWANIE FILAR N9/EKEVO9	1
3005	65311613	УПЛОТНИТ. ПРОКЛАДКА DIN EN 1514-1 DN100 CONTA DIN EN 1514-1 DN100 PN16	JUNTA DIN EN 1514-1 DN100 PN16	USZCZELKA DIN EN 1514-1 DN100 PN16	1
3010	65311678	КОЛЛЕКТОР DN100-R2Z 2G1/4 PN16 MANIFOLD DN100-R2Z 2G1/4 PN16	COLETOR DN100-R2Z 2G1/4 PN16	KOLEKTOR DN100-R2Z 2G1/4 PN16	1
3020	65311606	ПРЯМОЙ ШТУЦЕР P-GEV 8LR-WD-VI SAĞ RAKOR P-GEV 8LR-WD-VI	UNIÃO DIREITA P-GEV 8LR-WD-VI	ZŁĄCZE PRAWIE P-GEV 8LR-WD-VI	1
3030	65311604	УГЛОВОЙ ШТУЦЕР P-EWV 8-L DIRSEKLI RAKOR P-EWV 8-L	UNIÃO COTOVELO P-EWV 8-L	ZŁĄCZKA TYPU KOLANKO P-EWV 8-L	1
3040	65311579	ШТУЦЕР ОТБОРА ДАВЛЕНИЯ R1/4Z+УПЛОТ. BASINÇ GIRIŞI R1/4Z+CONTA	TOMADA DE PRESSÃO R1/4Z+JUNTA	GNIĄZ. POMIARU CIŚNIEN. R1/4Z+USZCZEL	1
3060	65311581	ГАЗОВЫЙ КЛАПАН VGD20 5011 RP2" GAZ VANASI VGD20 5011 RP2"	VALVULA GAS VGD20 5011 RP2"	ZAWÓR GAZOWY VGD20 5011 RP2"	1
3070	65107100	СЕРВОДВИГАТЕЛЬ SKP25.003 E2 БЕЗ КОНЦЕВЫ SERVOMOTOR SKP 25.003 E2 LIMIT ANAHTAR	SERVOMOT. GÁS SKP25.003 E2 SEM FIM CURSO	SERWOSILNIK SKP25.003E2 BEZ WYŁĄCZNIKI	1
3080	65311585	СОЕДИНИТЕЛЬНЫЙ КАБЕЛЬ AGA62.000A000 BAĞLANTI KABLOSU AGA62.000A000	CABO DE LIGAÇÃO AGA62.000A000	PRZEWÓD POŁĄCZENIOWY AGA62.000A000	1
3090	1478836180	СЕРВОДВИГАТЕЛЬ SKP15.000E2 БЕЗ КОНЦЕВЫ SERVOMOTOR SKP15.000E2 LIMIT ANAHTAR	SERVOMOTOR GAS SKP15.000E2 SEM FIM CURSA	SERWOSILNIK SKP15.000E2 BEZ WYŁĄCZNIKI	1
3110	65311377	ФЛАНЕЦ AGF10.50 RP2 FLANŞI AGF10.50 RP2	FLANGE AGF10.50 RP2	KOŁNIERZ AGF10.50 RP2	1
3120	65310852	РЕЛЕ ДАВ. ВОЗДУХА GW 500 A5 30-500MB GAZ BASINÇ ŞALT. GW 500 A5 30-500MB	PRESSOSTATO GÁS GW 500 A5 30-500MB	CZUJNIK CIŚ. GAZU GW 500 A5 30-500MB	1
	65323022	РЕЛЕ ДАВ. ВОЗДУХА GW 150 A6 10-150MB GAZ BASINÇ ŞALT. GW 150 A6 10-150MB	PRESSOSTATO GAS GW 150 A6 10-150MB	CZUJNIK CIŚ. GAZU GW 150 A6 10-150MB	1
3130	65311586	ГНЕЗДОВОЙ РАЗЪЕМ AGA64 DIŞİ PRIZ AGA64	TOMADA FÊMEA AGA64	GNIĄZDO AGA64	1
3140	65311615	РАЗЪЕМ GDMW 30-11 DF PRIZ GDMW 30-11 DF	TOMADA GDMW 30-11 DF	GNIĄZDO GDMW 30-11 DF	1
3300	65311459	ГАЗОВЫЙ ФИЛЬТР GF80M-1616-A-1 RP2 1BAR GAZ FILTR. GF80M-1616-A-1 RP2 1BAR	FILTRO GÁS GF80M-1616-A-1 RP2 1BAR	FILTR GAZU GF80M-1616-A-1 RP2 1BAR	1
3301	65311361	ФИЛЬТРУЮЩИЙ ЭЛЕМЕНТ GF 80M FILTRE ELEMANI GF 80M	ELEMENTO FILTRANTE GF 80M	WKŁAD FILTRA GF 80M	1
3505	65311613	УПЛОТНИТ. ПРОКЛАДКА DIN EN 1514-1 DN100 CONTA DIN EN 1514-1 DN100 PN16	JUNTA DIN EN 1514-1 DN100 PN16	USZCZELKA DIN EN 1514-1 DN100 PN16	1
3510	65311973	КОЛЛЕКТОР DN100 / R2 MANIFOLD DN100 / R2	COLETOR DN100 / R2	KOLEKTOR DN100 / R2	1
3580	65311840	ГАЗОВЫЙ КЛАПАН MBC1200SES82RP2" 5-80MB GAZ VANA. MBC1200 SE S82 RP2" 5-80 MB	VÁLVULA GÁS MBC1200 SE S82 RP2" 5-80MBA	ZAWÓR GAZ. MBC1200SES82 RP2" 5-80MB	1
3620	65313022	ФЛАНЕЦ MBC700/1200 RP2 FLANŞI MBC700/1200 RP2	FLANGE MBC700/1200 RP2	KOŁNIERZ MBC700/1200 RP2	1

					
3640	65310852	РЕЛЕ ДАВ. ВОЗДУХА GW 500 A5 30-500MB GAZ BASINÇ ŞALT. GW 500 A5 30-500MB	PRESSOSTATO GÁS GW 500 A5 30-500MB	CZUJNIK CIŚ. GAZU GW 500 A5 30-500MB	1
	65311598	РЕЛЕ ДАВ. ВОЗДУХА GW 150 A5 30-150MB GAZ BASINÇ ŞALT. GW 150 A5 30-150MB	PRESSOSTATO GAS GW 150 A5 30-150MB	CZUJNIK CIŚ. GAZU GW 150 A5 30-150MB	1
3650	65311615	РАЗЪЕМ GDMW 30-11 DF PRIZ GDMW 30-11 DF	TOMADA GDMW 30-11 DF	GNIAZDO GDMW 30-11 DF	1
3700	13022417	СЕТЧАТЫЙ ФИЛЬТР/ГАЗОВЫЙ КЛАП. MBC1200 FILTRE SÜZGECİ/GAZ VANASI MBC1200	ELEMENTO FILTRANTE/VÁLVULA GÁS MBC1200	FILTR SITOWY/ZAWÓR GAZOWY MBC1200	1
3800	65311459	ГАЗОВЫЙ ФИЛЬТР GF80M-1616-A-1 RP2 1BAR GAZ FILTR. GF80M-1616-A-1 RP2 1BAR	FILTRO GÁS GF80M-1616-A-1 RP2 1BAR	FILTR GAZU GF80M-1616-A-1 RP2 1BAR	1
3801	65311361	ФИЛЬТРУЮЩИЙ ЭЛЕМЕНТ GF 80M FILTRE ELEMANI GF 80M	ELEMENTO FILTRANTE GF 80M	WKŁAD FILTRA GF 80M	1
4005	65311613	УПЛОТНИТ. ПРОКЛАДКА DIN EN 1514-1 DN100 CONTA DIN EN 1514-1 DN100 PN16	JUNTA DIN EN 1514-1 DN100 PN16	USZCZELKA DIN EN 1514-1 DN100 PN16	1
4010	65311674	КОЛЛЕКТОР DN100/DN65 MANIFOLD DN100/DN65	COLETOR DN100/DN65	KOLEKTOR DN100/DN65	1
	65311675	КОЛЛЕКТОР DN100-DN80 PN16 MANIFOLD DN100-DN80 PN16	COLETOR DN100-DN80 PN16	KOLEKTOR DN100-DN80 PN16	1
	65311676	КОЛЛЕКТОР DN100/DN100 MANIFOLD DN100/DN100	COLETOR DN100/DN100	KOLEKTOR DN100/DN100	1
	65311677	КОЛЛЕКТОР DN100/DN125 MANIFOLD DN100/DN125	COLETOR DN100/DN125	KOLEKTOR DN100/DN125	1
4020	65311601	ПРЯМОЙ ШТУЦЕР P-EGES 12L/R 1/4WD SAĞ RAKOR P-EGES 12L/R 1/4WD	CONEXÃO DIREITA P-EGES 12L/R 1/4WD	ZŁĄCZE PRAWIE P-EGES 12L/R 1/4WD	1
4030	65311608	ШТУЦЕР (ЛОКОТЬ) P-EWV12L-SV RAKOR (DIRSEK) P-EWV12L-SV	UNIÃO (COTOVELO) P-EWV12L-SV	ZŁĄCZE (ŁOKIEC) P-EWV12L-SV	1
4040	65311605	ШТУЦЕР P-KV12L RAKOR P-KV12L	CONEXÃO P-KV12L	ZŁĄCZE P-KV12L	1
4060	65311607	КРЫШКА VSD 12L/S O.M.MB. TAPA VSD 12L/S O.M.MB.	TAMPA VSD 12L/S O.M.MB.	NAKRĘTKA VSD 12L/S O.M.MB.	1
4070	65311601	ПРЯМОЙ ШТУЦЕР P-EGES 12L/R 1/4WD SAĞ RAKOR P-EGES 12L/R 1/4WD	CONEXÃO DIREITA P-EGES 12L/R 1/4WD	ZŁĄCZE PRAWIE P-EGES 12L/R 1/4WD	1
4080	65311453	ГАЗОВЫЙ КЛАПАН VGD40 125 DN125 GAZ VANASI VGD40 125 DN125	VALVULA GAS VGD40 125 DN125	ZAWÓR GAZOWY VGD40 125 DN125	1
	65311583	ГАЗОВЫЙ КЛАПАН VGD40 080 DN80 GAZ VANASI VGD40 080 DN80	VALVULA GAS VGD40 080 DN80	ZAWÓR GAZOWY VGD40 080 DN80	1
	65311590	ГАЗОВЫЙ КЛАПАН VGD40 100 DN100 GAZ VANASI VGD40 100 DN100	VALVULA GAS VGD40 100 DN100	ZAWÓR GAZOWY VGD40 100 DN100	1
	65323661	ГАЗОВЫЙ КЛАПАН VGD40 065 DN65 GAZ VANASI VGD40 065 DN65	VÁLVULA GÁS VGD40 065 DN65	ZAWÓR GAZ. VGD40 065 DN65	1
4090	65107100	СЕРВОДВИГАТЕЛЬ SKP25.003 E2 БЕЗ КОНЦЕВЫ SERVOMOTOR SKP 25.003 E2 LIMIT ANAHTAR	SERVOMOT. GÁS SKP25.003 E2 SEM FIM CURSO	SERWOSILNIK SKP25.003E2 BEZ WYŁĄCZNIKI	1
4100	65311585	СОЕДИНИТЕЛЬНЫЙ КАБЕЛЬ AGA62.000A000 BAĞLANTI KABLOSU AGA62.000A000	CABO DE LIGAÇÃO AGA62.000A000	PRZEWÓD POŁĄCZENIOWY AGA62.000A000	1
4110	1478836180	СЕРВОДВИГАТЕЛЬ SKP15.000E2 БЕЗ КОНЦЕВЫ SERVOMOTOR SKP15.000E2 LIMIT ANAHTAR	SERVOMOTOR GAS SKP15.000E2 SEM FIM CURSA	SERWOSILNIK SKP15.000E2 BEZ WYŁĄCZNIKI	1
4120	65311611	УПЛОТНИТ. ПРОКЛАДКА DIN EN 1514-1 DN65 CONTA DIN EN 1514-1 DN65/PN16	JUNTA DIN EN 1514-1 DN65/PN16	USZCZELKA DIN EN 1514-1 DN65/PN16	1
	65311612	УПЛОТНИТ. ПРОКЛАДКА DIN EN 1514-1 DN80 CONTA DIN EN 1514-1DN 80 PN16	JUNTA DIN EN 1514-1DN 80 PN16	USZCZELKA DIN EN 1514-1DN 80 PN16	1
	65311613	УПЛОТНИТ. ПРОКЛАДКА DIN EN 1514-1 DN100 CONTA DIN EN 1514-1 DN100 PN16	JUNTA DIN EN 1514-1 DN100 PN16	USZCZELKA DIN EN 1514-1 DN100 PN16	1
	65311614	УПЛОТНИТ. ПРОКЛАДКА DIN EN 1514-1 DN125 CONTA DIN EN 1514-1 DN125 PN16	JUNTA DIN EN 1514-1 DN125 PN16	USZCZELKA DIN EN 1514-1 DN125 PN16	1
4130	65311586	ГНЕЗДОВОЙ РАЗЪЕМ AGA64 DIŞI PRIZ AGA64	TOMADA FÉMEA AGA64	GNIAZDO AGA64	1
4140	65311615	РАЗЪЕМ GDMW 30-11 DF PRIZ GDMW 30-11 DF	TOMADA GDMW 30-11 DF	GNIAZDO GDMW 30-11 DF	1
4150	65310852	РЕЛЕ ДАВ. ВОЗДУХА GW 500 A5 30-500MB GAZ BASINÇ ŞALT. GW 500 A5 30-500MB	PRESSOSTATO GÁS GW 500 A5 30-500MB	CZUJNIK CIŚ. GAZU GW 500 A5 30-500MB	1
	65323022	РЕЛЕ ДАВ. ВОЗДУХА GW 150 A6 10-150MB GAZ BASINÇ ŞALT. GW 150 A6 10-150MB	PRESSOSTATO GAS GW 150 A6 10-150MB	CZUJNIK CIŚ. GAZU GW 150 A6 10-150MB	1
4300	65311460	ГАЗОВЫЙ ФИЛЬТР GF65MF-2020-A-1 DN65 1BAR GAZ FILTR. GF65MF-2020-A-1 DN65 1BAR	FILTRO GÁS GF65MF-2020-A-1 DN65 1BAR	FILTR GAZU GF65MF-2020-A-1 DN65 1BAR	1
	65311461	ГАЗОВЫЙ ФИЛЬТР GF80MF-2424-A-1 DN80 1BAR GAZ FILTR. GF80MF-2424-A-1 DN80 1BAR	FILTRO GÁS GF80MF-2424-A-1 DN80 1BAR	FILTR GAZU GF80MF-2424-A-1 DN80 1BAR	1
	65311462	ГАЗОВЫЙ ФИЛЬТР GF100MF-3232-A-1 DN100 1B GAZ FILTR. GF100MF-3232-A-1 DN100 1BAR	FILTRO GÁS GF100MF-3232-A-1 DN100 1BAR	FILTR GAZU GF100MF-3232-A-1 DN100 1BAR	1
	65311463	ГАЗОВЫЙ ФИЛЬТР GF125MF-4040-A-1 DN125 1B GAZ FILTR. GF125MF-4040-A-1 DN125 1BAR	FILTRO GÁS GF125MF-4040-A-1 DN125 1BAR	FILTR GAZU GF125MF-4040-A-1 DN125 1BAR	1
4301	65311723	ФИЛЬТРУЮЩИЙ ЭЛЕМЕНТ GF65MF FILTRE ELEMANI GF65MF	ELEMENTO FILTRANTE GF65MF	WKŁAD FILTRA GF65MF	1

		<b>RU</b> <b>TR</b>	<b>PT</b>	<b>PL</b>	
	65311888	ФИЛЬТРУЮЩИЙ ЭЛЕМЕНТ GF80MF FILTRE ELEMANI GF80MF	ELEMENTO FILTRANTE GF80MF	WKŁAD FILTRA GF80MF	1
	65311889	ФИЛЬТРУЮЩИЙ ЭЛЕМЕНТ GF100MF FILTRE ELEMANI GF100MF	ELEMENTO FILTRANTE GF100MF	WKŁAD FILTRA GF100MF	1
	65311890	ФИЛЬТРУЮЩИЙ ЭЛЕМЕНТ GF125MF FILTRE ELEMANI GF125MF	ELEMENTO FILTRANTE GF125MF	WKŁAD FILTRA GF125MF	1
4505	65311613	УПЛОТНИТ. ПРОКЛАДКА DIN EN 1514-1 DN100 CONTA DIN EN 1514-1 DN100 PN16	JUNTA DIN EN 1514-1 DN100 PN16	USZCZELKA DIN EN 1514-1 DN100 PN16	1
4510	65311674	КОЛЛЕКТОР DN100/DN65 MANIFOLD DN100/DN65	COLETOR DN100/DN65	KOLEKTOR DN100/DN65	1
	65311675	КОЛЛЕКТОР DN100-DN80 PN16 MANIFOLD DN100-DN80 PN16	COLETOR DN100-DN80 PN16	KOLEKTOR DN100-DN80 PN16	1
	65311676	КОЛЛЕКТОР DN100/DN100 MANIFOLD DN100/DN100	COLETOR DN100/DN100	KOLEKTOR DN100/DN100	1
4520	65311601	ПРЯМОЙ ШТУЦЕР P-EGES 12L/R 1/4WD SAĞ RAKOR P-EGES 12L/R 1/4WD	CONEXÃO DIREITA P-EGES 12L/R 1/4WD	ZŁĄCZE PRAWO P-EGES 12L/R 1/4WD	1
4530	65311344	Т-ШТУЦЕР P-TV 12 L T-RAKOR P-TV 12 L	CONEXÃO EM T P-TV 12 L	T-ZŁĄCZKA P-TV 12 L	1
4560	65311607	КРЫШКА VSD 12L/S O.M.MB. TAPA VSD 12L/S O.M.MB.	TAMPA VSD 12L/S O.M.MB.	NAKRĘTKA VSD 12L/S O.M.MB.	1
4580	65311844	ГАЗОВЫЙ КЛАПАН MBC1900SE DN65 40-80MBAR GAZ VANASI MBC1900SE DN65 40-80 MBAR	VÁLVULA GÁS MBC1900SE DN65 40-80MBAR	ZAWÓR GAZ. MBC1900SE DN65 40-80 MBAR	1
	65311845	ГАЗОВЫЙ КЛАПАН MBC3100SE DN80 40-80MBAR GAZ VANASI MBC3100SE DN80 40-80 MBAR	VÁLVULA GÁS MBC3100 SE DN80 40-80 MBAR	ZAWÓR GAZ. MBC3100SE DN80 40-80 MBAR	1
	65311846	ГАЗОВЫЙ КЛАПАН MBC5000SE DN100 40-80MB GAZ VANASI MBC5000 SE DN100 40-80 MB	VÁLVULA GÁS MBC5000 SE DN100 40-80 MBAR	ZAWÓR GAZ. MBC5000SE DN100 40-80MBAR	1
4620	65311611	УПЛОТНИТ. ПРОКЛАДКА DIN EN 1514-1 DN65 CONTA DIN EN 1514-1 DN65/PN16	JUNTA DIN EN 1514-1 DN65/PN16	USZCZELKA DIN EN 1514-1 DN65/PN16	1
	65311612	УПЛОТНИТ. ПРОКЛАДКА DIN EN 1514-1 DN80 CONTA DIN EN 1514-1DN 80 PN16	JUNTA DIN EN 1514-1DN 80 PN16	USZCZELKA DIN EN 1514-1DN 80 PN16	1
	65311613	УПЛОТНИТ. ПРОКЛАДКА DIN EN 1514-1 DN100 CONTA DIN EN 1514-1 DN100 PN16	JUNTA DIN EN 1514-1 DN100 PN16	USZCZELKA DIN EN 1514-1 DN100 PN16	1
4640	65310852	РЕЛЕ ДАВ. ВОЗДУХА GW 500 A5 30-500MB GAZ BASINÇ ŞALT. GW 500 A5 30-500MB	PRESSOSTATO GÁS GW 500 A5 30-500MB	CZUJNIK CIŚ. GAZU GW 500 A5 30-500MB	1
	65323022	РЕЛЕ ДАВ. ВОЗДУХА GW 150 A6 10-150MB GAZ BASINÇ ŞALT. GW 150 A6 10-150MB	PRESSOSTATO GAS GW 150 A6 10-150MB	CZUJNIK CIŚ. GAZU GW 150 A6 10-150MB	1
4650	65311615	РАЗЪЕМ GDMW 30-11 DF PRIZ GDMW 30-11 DF	TOMADA GDMW 30-11 DF	GNIAZDO GDMW 30-11 DF	1
4800	65311460	ГАЗОВЫЙ ФИЛЬТР GF65MF-2020-A-1 DN65 1BAR GAZ FILTR. GF65MF-2020-A-1 DN65 1BAR	FILTRO GÁS GF65MF-2020-A-1 DN65 1BAR	FILTR GAZU GF65MF-2020-A-1 DN65 1BAR	1
	65311461	ГАЗОВЫЙ ФИЛЬТР GF80MF-2424-A-1 DN80 1BAR GAZ FILTR. GF80MF-2424-A-1 DN80 1BAR	FILTRO GÁS GF80MF-2424-A-1 DN80 1BAR	FILTR GAZU GF80MF-2424-A-1 DN80 1BAR	1
	65311462	ГАЗОВЫЙ ФИЛЬТР GF100MF-3232-A-1 DN100 1B GAZ FILTR. GF100MF-3232-A-1 DN100 1BAR	FILTRO GÁS GF100MF-3232-A-1 DN100 1BAR	FILTR GAZU GF100MF-3232-A-1 DN100 1BAR	1
4801	65311723	ФИЛЬТРУЮЩИЙ ЭЛЕМЕНТ GF65MF FILTRE ELEMANI GF65MF	ELEMENTO FILTRANTE GF65MF	WKŁAD FILTRA GF65MF	1
	65311888	ФИЛЬТРУЮЩИЙ ЭЛЕМЕНТ GF80MF FILTRE ELEMANI GF80MF	ELEMENTO FILTRANTE GF80MF	WKŁAD FILTRA GF80MF	1
	65311889	ФИЛЬТРУЮЩИЙ ЭЛЕМЕНТ GF100MF FILTRE ELEMANI GF100MF	ELEMENTO FILTRANTE GF100MF	WKŁAD FILTRA GF100MF	1
5002	65312445	БЛОК УПРА. BT320 ОСНОВНЫЕ НАСТРОЙКИ KUTU BT320 TEMEL AYARI	UNIDADE CONTROLE BT320 CONFIGUR. BÁSICA	MODUŁ BT320 USTAWIENIE PODSTAWOWE	1
	65312446	БЛОК УПРА. BT330 ОСНОВНЫЕ НАСТРОЙКИ KUTU BT330 TEMEL AYARI	UNIDADE CONTROLE BT330 CONFIGUR. BÁSICA	MODUŁ BT330 USTAWIENIE PODSTAWOWE	1
	65312448	БЛОК УПРА. BT320 ОПРЕДЕЛ. ПАРАМ. KUTU BT320 ÖZEL AYAR	UNIDADE CONTROLE BT320 CONF. ESPECÍFICA	MODUŁ BT320 SPECYFICZNE USTAWIENIE	1
	65312449	БЛОК УПРА. BT330 ОПРЕДЕЛ. ПАРАМ. KUTU BT330 ÖZEL AYAR	UNIDADE CONTROLE BT330 CONF. ESPECÍFICA	MODUŁ BT330 SPECYFICZNE USTAWIENIE	1
	65312452	БЛОК УП. BT320 G-E, G-EU3, G-EF3(+BEC.PEG.) KUTU BT320 G-E, G-EU3, G-EF3(+FREK.DÖNÜS.)	UNIDADE CTL. BT320 G-E, G-EU3(+CTL.FR.)	MOD. BT320 G-E, G-EU3, G-EF3(+PRZET.CZEST.)	1
5010	65311362	ИСПЫТАТЕЛЬНАЯ ГОРЕЛКА С КНОПКОЙ PB2 BASMA DÜĞMESİ İLE BRÜLÖR TEST PB2	QUEIMADOR DE ENSAIO COM B. PRESSÃO PB2	PALNIK TEST Z PRZYCISKIEM PB2	1
5015	65311790	МОДУЛЬ LCM100 (LSB-M 667R0500-1) MODÜLÜ LCM100 (LSB-M 667R0500-1)	MÓDULO LCM100 (LSB-M 667R0500-1)	MODUL LCM100 (LSB-M 667R0500-1)	1
5020	65311918	МОДУЛЬ VSM100 VSM100 MODÜLÜ	MÓDULO VMS100	MODUL VSM100	1
5035	65312550	ДАТЧИК NAMUR NI5-G12-Y1 SENSÖR NAMUR NI5-G12-Y1	SENSOR NAMUR NI5-G12-Y1	CZUJNIK NAMUR NI5-G12-Y1	1
5300	65114033	РЕГУЛЯТОР RWF 55.50A9 REGÜLATÖR RWF 55.50A9	REGULADOR RWF 55.50A9	REGULATOR RWF 55.50A9	1
5500	65312274	ФОТОРЕЗИСТОР FFS08-UV1 659D31 - 5M W/O HÜCRE FFS08-UV1 659D31 - 5M W/O	FOTOCÉLULA FFS08-UV1 659D31 - 5M W/O	FOTOKOMÓRKA FFS08-UV1 659D31 - 5M W/O	1





## ADDRESSES

www.elco.net



## LIST OF THE ABBREVIATIONS

- 🔧 : Maintenance parts / Pièces d'entretien / Materiali di consumo /  
: Piezas de mantenimiento / Hilfsmaterial / Onderhoudsonderdelen
- 🔄 : Wearing parts / Pièces d'usure / Parti di usura  
: Piezas de desgaste / Verschleisstelle / Slijtageonderdelen
- \* : Item not stocked, manufactured to order / Article non stocké, fabrication à la demande /  
: Articolo non a magazzino, produzione all'ordine / Artículo no almacenado, fabricación previa solicitud /  
: Keine Lagerware, wird bei Bedarf bestellt, Artikel niet op voorraad, fabricage op bestelling

## IDENTIFICATION PLATE

### SERIAL NUMBER

**7 Characters :**  
00001 / K A

Sequential number

Trimester of manufacture : from A to D  
Year of manufacture : K → 2003  
L → 2004  
M → 2005  
etc ...

**8 Characters :**  
00001 / L 09

Sequential number

Month of manufacture  
Year of manufacture : K → 2003  
L → 2004  
M → 2005  
etc ...

**11 Characters :**  
2007 1370 P 07

Year of manufacture

Month of manufacture  
Year of manufacture : P → 2007  
R → 2008  
S → 2009  
T → 2010  
U → 2011  
W → 2012  
X → 2013  
Y → 2014  
Z → 2015  
Sequential number

The indications mentioned on the prices, commercial or technical literature and the scheme are written for your guidance and are available at a given time. The CONSTRUCTOR retains the power to modify the presentation, the form, the size, the conception or the material of the products.