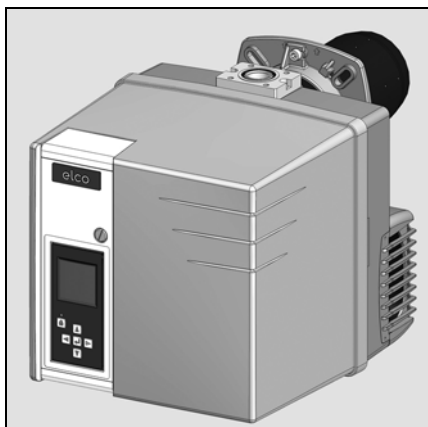


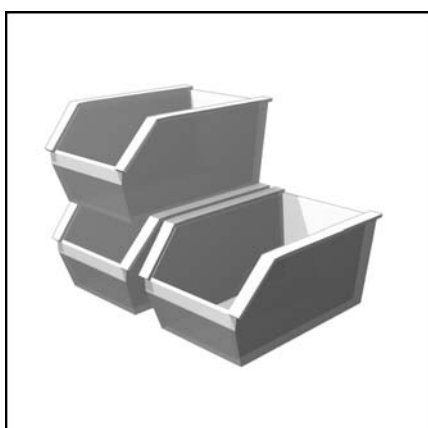
**Технические характеристики**  
**Datos técnicos**  
**Τεχνικά δεδομένα**  
**Parametry techniczne**  
**Teknik veriler**



ru, es ..... 4200 1053 3100  
 gr, pl ..... 4200 1053 3200  
 tr ..... 4200 1053 3300



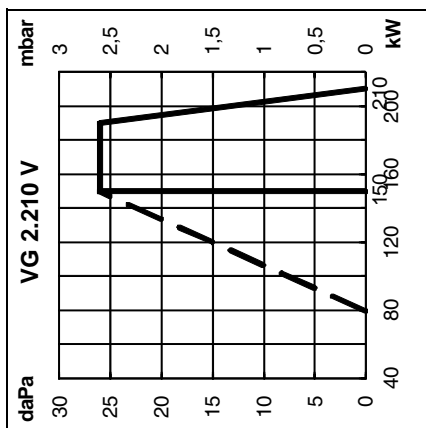
**Электрические и гидравлические схемы**  
**Esquemas eléctrico e hidráulico**  
**Ηλεκτρικά και υδραυλικά σχεδιαγράμματα**  
**Schemat elektryczny i hydrauliczny**  
**Elektrik ve hidrolik şemalar**



**Запчасти**  
**Piezas de recambio**  
**Ανταλλακτικά**  
**Części zamienne**  
**Yedek parçalar**







### Кривые мощности

Кривая мощности показывает изменение мощности горелки в зависимости от давления в топочной камере сгорания. Она соответствует максимальным значениям, измеренным в соответствии со стандартом EN676 в стандартном канале.

### При выборе горелки необходимо учитывать КПД котла.

Расчет мощности горелки:

$$Q_F = \frac{Q_N}{\eta} \times 100$$

$Q_F$  = мощность горелки, кВт  
 $Q_N$  = номинальная мощность котла, кВт  
 $\eta$  = КПД котла, %

### Условные обозначения:

**V** = VECTRON  
**G** = Природный газ/пропан  
**2** = Типоразмер  
**210** = Базовая мощность, кВт  
**V** = модулируемая горелка/с плавно-двухступенчатый регулированием мощности с изменением скорости вентиляции  
**KN** = Головка горелки стандартной длины  
**KL** = Длинная головка горелки

### Curvas de potencia

La curva de potencia representa la potencia del quemador en función de la presión existente en el hogar. Corresponde a los valores máx. medidos, según la norma EN676, en un túnel normalizado.

### Para seleccionar el quemador es necesario tener en cuenta el coeficiente de rendimiento de la caldera.

Cálculo de la potencia del quemador:

$$Q_F = \frac{Q_N}{\eta} \times 100$$

$Q_F$  = potencia del quemador (kW)  
 $Q_N$  = potencia nominal de la caldera (kW)  
 $\eta$  = rendimiento de la caldera (%)

### Leyenda:

**V** = VECTRON  
**G** = Gas natural/Gas propano  
**2** = Medidas  
**210** = Referencia de potencia en kW  
**V** = quemador de 2 etapas progresivas modulantes con variación de velocidad del motor de ventilación  
**KN** = Cabezal de combustión de longitud normal  
**KL** = Cabezal de combustión largo

### Καμπύλες ισχύος

Οι καμπύλες ισχύος αναπαριστούν την ισχύ του καυστήρα σε συνάρτηση με την πίεση που επικρατεί στο θάλαμο καύσης. Αντιστοιχεί στις μέγ. τιμές που μετρήθηκαν σύμφωνα με το πρότυπο EN676, σε τυποποιημένο θάλαμο καύσης.

### Για την επιλογή του καυστήρα, πρέπει να λαμβάνεται υπόψη ο βαθμός απόδοσης του λέβητα.

Υπολογισμός της ισχύος του καυστήρα:

$$Q_F = \frac{Q_N}{\eta} \times 100$$

$Q_F$  = ισχύς του καυστήρα (kW)  
 $Q_N$  = ονομαστική ισχύς του λέβητα (kW)  
 $\eta$  = απόδοση του λέβητα (%)

### Λεζάντα:

**V** = VECTRON  
**G** = Φυσικό αέριο / αέριο προπάνιο  
**2** = Μέγεθος  
**210** = Κωδικός ισχύος σε kW  
**V** = καυστήρας διβάθμιας λειτουργίας/προοδευτική ρυθμιζόμενη λειτουργία με τη διακύμανση της ταχύτητας μηχανών εξερισμού  
**KN** = Κεφαλή καύσης κανονικού μήκους  
**KL** = Μακριά κεφαλή καύσης

### Krzywe mocy

Zakres działania określa moc palnika w stosunku do ciśnienia panującego w palenisku. Odpowiada on maksymalnym wartościom zmierzonym zgodnie z normą EN676, w znormalizowanym tunelu.

### Przy wyborze palnika należy uwzględnić współczynnik sprawności cieplnej kotła.

Obliczenie mocy palnika:

$$Q_F = \frac{Q_N}{\eta} \times 100$$

$Q_F$  = moc palnika (kW)  
 $Q_N$  = moc znamionowa kotła (kW)  
 $\eta$  = sprawność cieplna kotła (%)

### Legenda:

**V** = VECTRON  
**G** = Gaz ziemny / Propan  
**2** = Wielkość  
**210** = Wartość odniesienia mocy w kW  
**V** = palnik 2-stopniowy progresywny modulacyjny z wentylacją silnika prędkości zmiary  
**KN** = Glowica spalania normalnej długości  
**KL** = Glowica spalania długa

### Güç eğrileri

Çalışma alanı, ocak tertibatında mevcut basınca göre brülör gücünü gösterir. Standart tünelde EN676 normuna göre ölçülen maksimum değerlere uymaktadır.

### Brülör seçeneği için kazan randımanının katsayısı dikkate alınmalıdır.

Brülör gücü hesabı

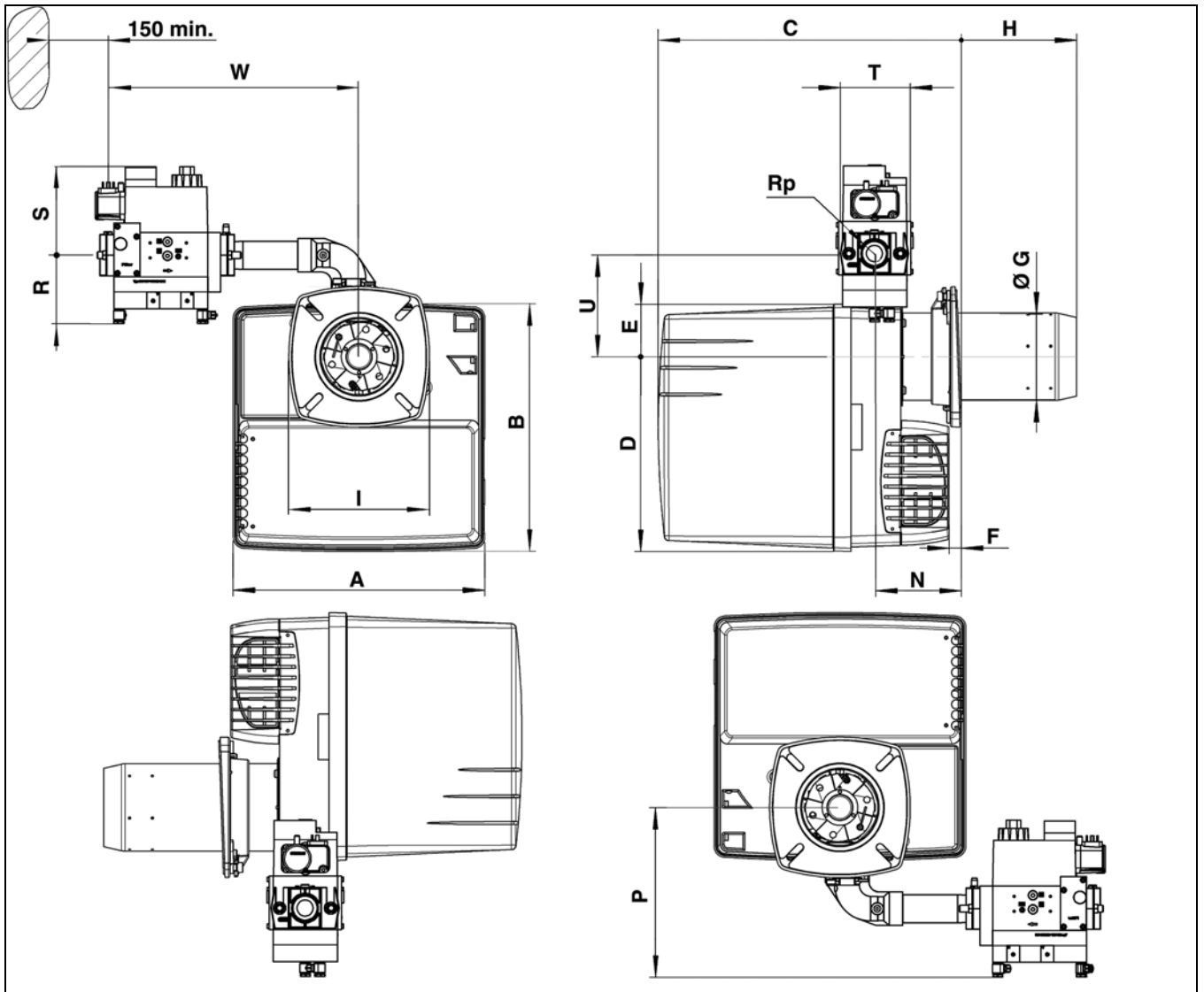
$$Q_F = \frac{Q_N}{\eta} \times 100$$

$Q_F$  = brülör gücü  
 $Q_N$  = kazan nominal gücü (kW)  
 $\eta$  = kazan randımanı (%)

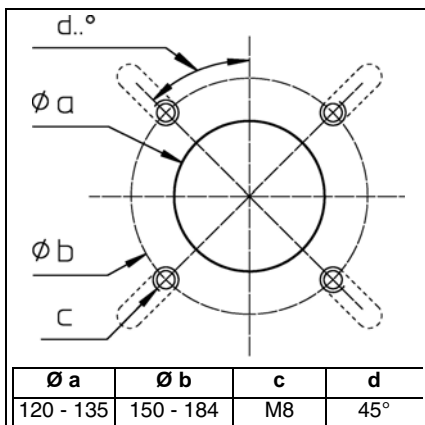
### Açıklama:

**V** = VECTRON  
**G** = Doğal Gaz / Propan Gazı  
**2** = Boyut  
**210** = kW olarak güç referansı  
**V** = aşamalı kademeli /2 oranlı brülör değişikken hızlı fan motoru ile  
**KN** = Normal uzunlukta yanma kafası  
**KL** = Uzun yanma kafası





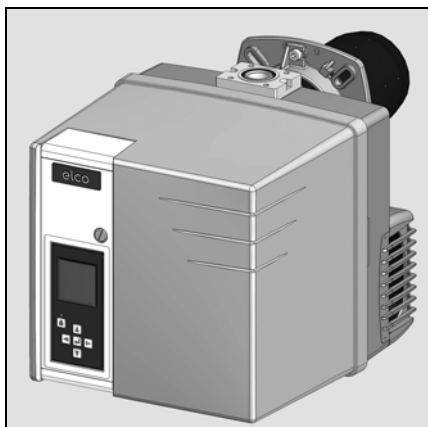
|                         | A   | B   | C        |          | D   | E  | F       | ØG  | H       |         | I       | N        | P   | Rp    | R  | S   | T   | U   | W   |
|-------------------------|-----|-----|----------|----------|-----|----|---------|-----|---------|---------|---------|----------|-----|-------|----|-----|-----|-----|-----|
|                         |     |     | KN       | KL       |     |    |         |     | KN      | KL      |         |          |     |       |    |     |     |     |     |
| VG2V - d3/4" - Rp3/4"   | 331 | 325 | 398..518 | 398..638 | 256 | 69 | 15 min. | 115 | 30..150 | 30..270 | 185x185 | 113 min. | 179 | 3/4"  | 70 | 160 | 120 | 133 | 345 |
| VG2V - d1"1/4 - Rp1"1/4 |     |     |          |          |     |    |         |     |         |         |         |          | 188 | 1"1/4 | 80 | 175 | 145 |     | 380 |





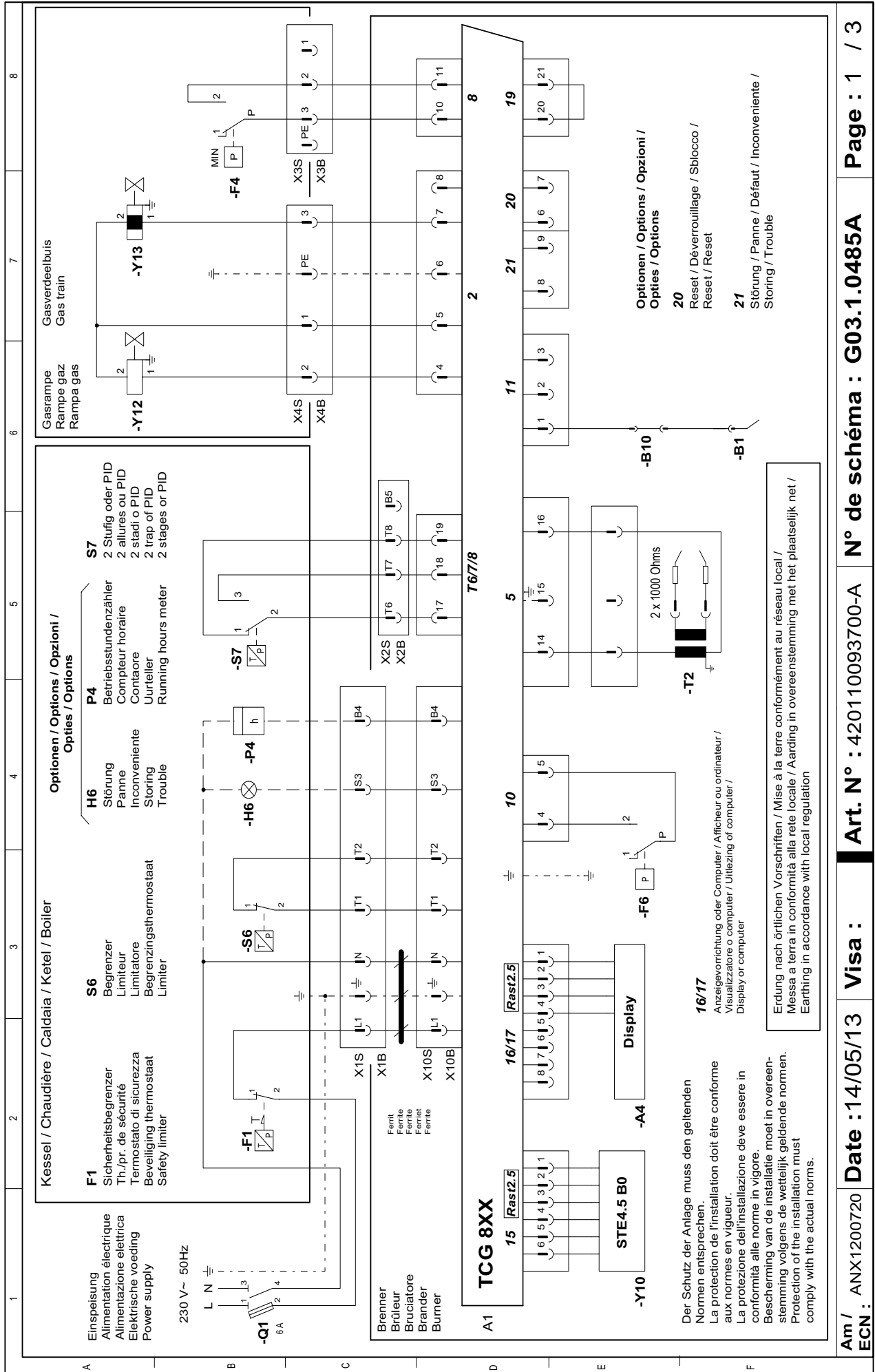
Электрические и гидравлические схемы  
 Esquemas eléctrico e hidráulico  
 Ηλεκτρικά και υδραυλικά σχεδιαγράμματα  
 Schemat elektryczny i hydrauliczny  
 Elektrik ve hidrolik şemalar

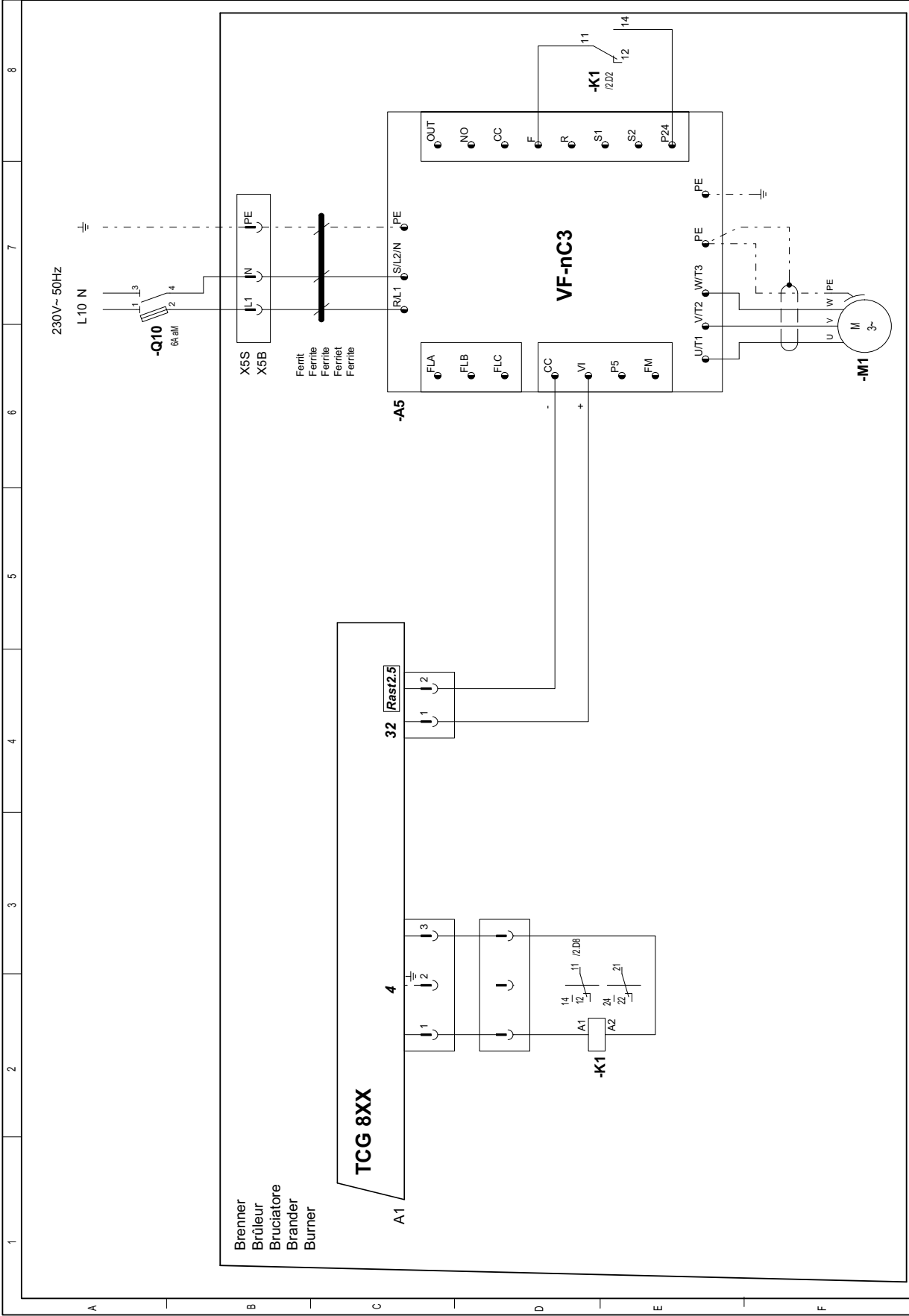
..... 4201 1009 3700



| VG 2.210 V            |    |           |
|-----------------------|----|-----------|
| d3/4" - Rp3/4"        | KN | 3 834 358 |
| d3/4" - Rp3/4"        | KL | 3 834 359 |
| d332 - d3/4" - Rp3/4" | KN | 3 834 416 |
| d332 - d3/4" - Rp3/4" | KL | 3 834 417 |
| d1,1/4" - Rp1,1/4"    | KN | 3 834 360 |
| d1,1/4" - Rp1,1/4"    | KL | 3 834 361 |

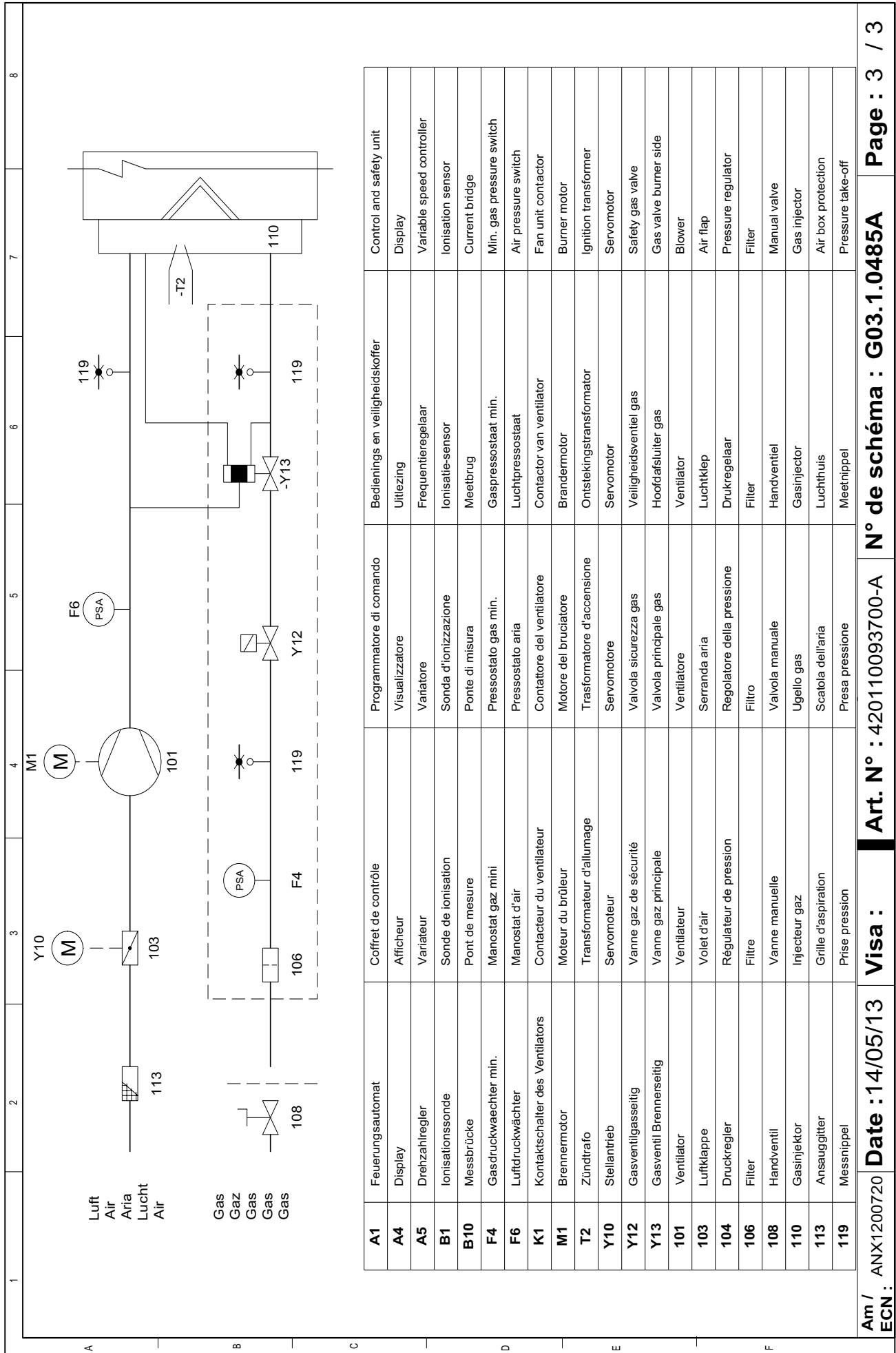






1 2 3 4 5 6 7 8







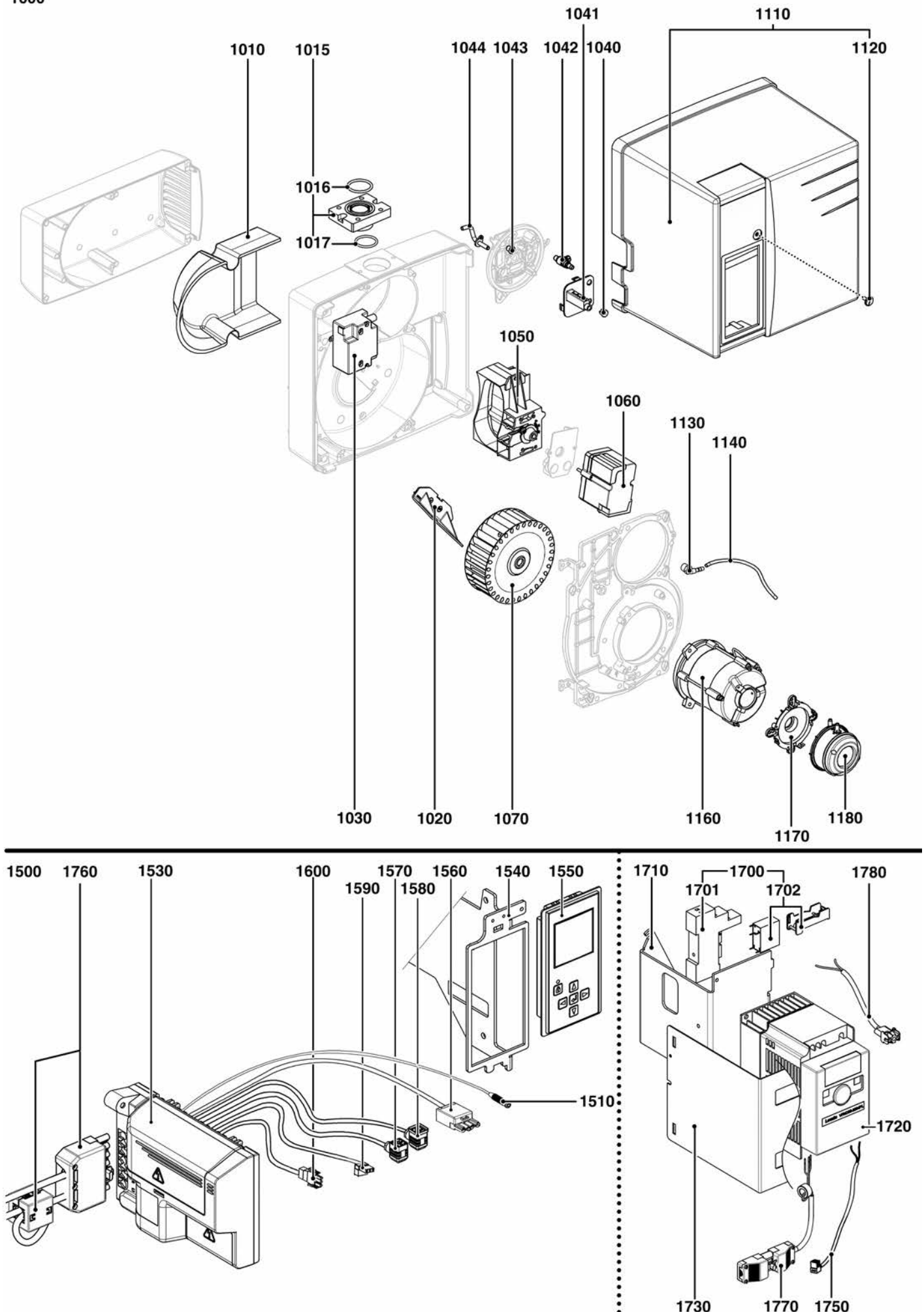
## SPARE PARTS EXPLODED VIEW GAS BURNER

Model

**CB-VG2V**

R8220087-01 - 16/07/2013

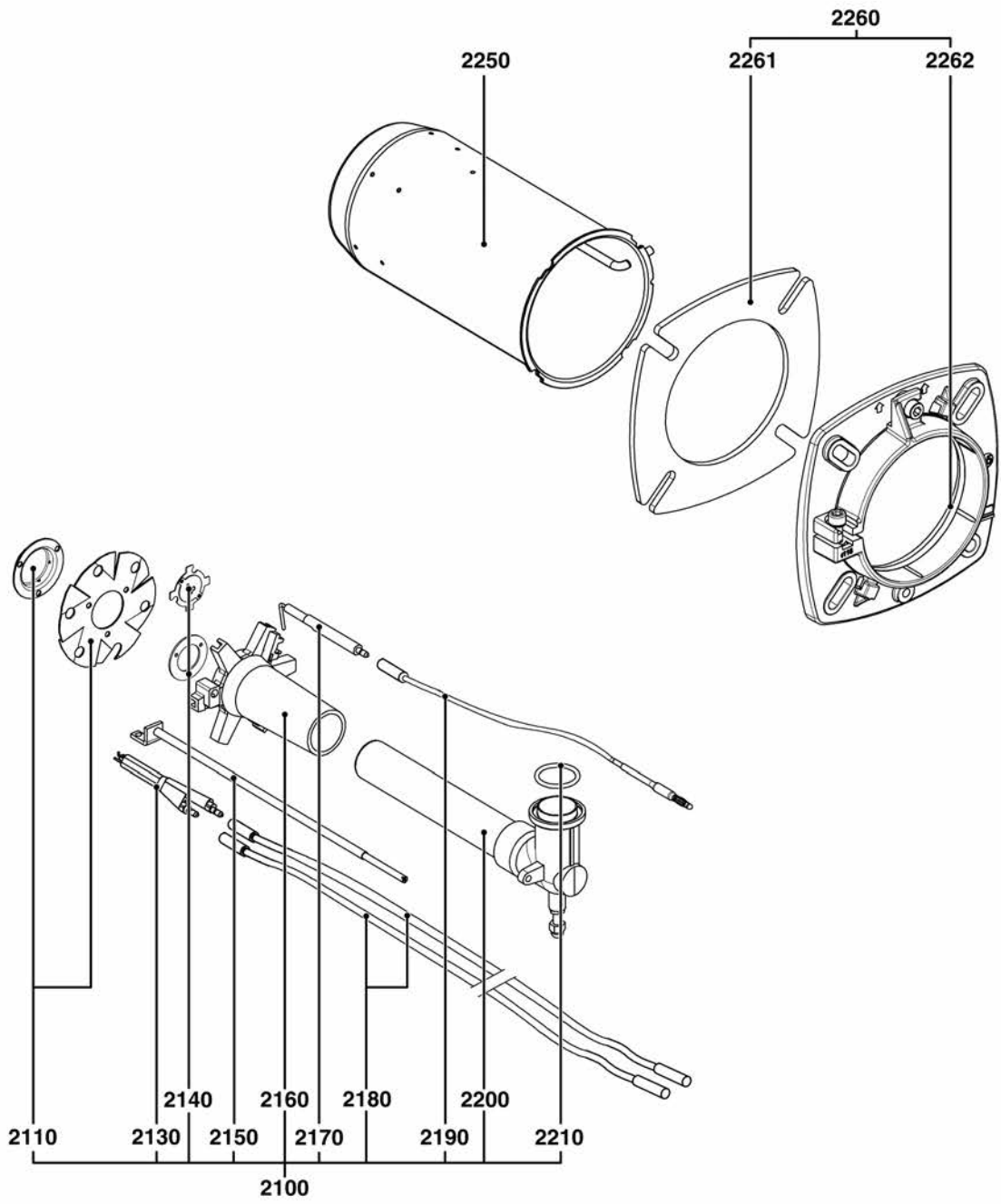
| 1   | 3834358   | CB-VG2.210 V D3/4"-RP3/4" KN       | 09-2013 | -   |
|-----|-----------|------------------------------------|---------|-----|
| 2   | 3834359   | CB-VG2.210 V D3/4"-RP3/4" KL       | 09-2013 | -   |
| 3   | 3834416   | CB-VG2.210 V D332 - 3/4"-RP3/4" KN | 09-2013 | -   |
| 4   | 3834417   | CB-VG2.210 V D332 - 3/4"-RP3/4" KL | 09-2013 | -   |
| 5   | 3834360   | CB-VG2.210 V D1"1/4-RP1"1/4 KN     | 09-2013 | -   |
| 6   | 3834361   | CB-VG2.210 V D1"1/4-RP1"1/4 KL     | 09-2013 | -   |
| Col | Reference | Model type                         | Begin   | End |



| ☉⇒          | Description                            | Manf. Pt. N | Type |   |   |   |   |   |   |   |   |   |    |    |    |    |    |    |    |    |    | 31 |
|-------------|--|-------------|------|---|---|---|---|---|---|---|---|---|----|----|----|----|----|----|----|----|----|----|
|             |  |             |      | 1 | 2 | 3 | 4 | 5 | 6 | 7 | 8 | 9 | 10 | 11 | 12 | 13 | 14 | 15 | 16 | 17 | 18 |    |
| <b>1000</b> | <b>BURNER BODY</b>                     |             |      |   |   |   |   |   |   |   |   |   |    |    |    |    |    |    |    |    |    |    |
| 1010        | INSULATION AIR INTAKE BOX              | 13017369    |      | ● | ● | ● | ● | ● | ● |   |   |   |    |    |    |    |    |    |    |    |    |    |
| 1015        | FLANGE+SEALS                           | 13022109    |      | ● | ● | ● | ● | ● | ● |   |   |   |    |    |    |    |    |    |    |    |    |    |
| 1016        | D.34.5X3.5 GASKET                      | 13022908    |      | ● | ● | ● | ● | ● | ● |   |   |   |    |    |    |    |    |    |    |    |    |    |
| 1017        | O-RING D.30X3                          | 13018089    |      | ● | ● | ● | ● | ● | ● |   |   |   |    |    |    |    |    |    |    |    |    |    |
| 1020        | AIR RECYCLING (BLACK)                  | 13017364    |      | ● | ● | ● | ● | ● | ● |   |   |   |    |    |    |    |    |    |    |    |    |    |
| 1030        | IGNITER 2P 2X7,5KV                     | 13009663    |      | ● | ● | ● | ● | ● | ● |   |   |   |    |    |    |    |    |    |    |    |    |    |
| 1040        | GROMMET                                | 13010058    |      | ● | ● | ● | ● | ● | ● |   |   |   |    |    |    |    |    |    |    |    |    |    |
| 1041        | CONTROL PANEL PLATE                    | 13021960    |      | ● | ● | ● | ● | ● | ● |   |   |   |    |    |    |    |    |    |    |    |    |    |
| 1042        | PRESSURE TAP                           | 13015502    |      | ● | ● | ● | ● | ● | ● |   |   |   |    |    |    |    |    |    |    |    |    |    |
| 1043        | GROMMET D.5/9/IGNITION LEAD            | 13007808    |      | ● | ● | ● | ● | ● | ● |   |   |   |    |    |    |    |    |    |    |    |    |    |
| 1044        | TUBE D.6+ AIR MEASURE FLANGE           | 13021961    |      | ● | ● | ● | ● | ● | ● |   |   |   |    |    |    |    |    |    |    |    |    |    |
| 1050        | AIR FLAP                               | 13018138    |      | ● | ● | ● | ● | ● | ● |   |   |   |    |    |    |    |    |    |    |    |    |    |
| 1060        | SERVOMOTOR                             | 65300527    |      | ● | ● | ● | ● | ● | ● |   |   |   |    |    |    |    |    |    |    |    |    |    |
| 1070        | TURBINE D.160X52                       | 13010095    |      | ● | ● | ● | ● | ● | ● |   |   |   |    |    |    |    |    |    |    |    |    |    |
| 1110        | HOOD VECTRON2+MOUNTING SCREW           | 65300723    |      | ● | ● | ● | ● | ● | ● |   |   |   |    |    |    |    |    |    |    |    |    |    |
| 1120        | FLAT HEAD SCREW M5X15                  | 65300519    |      | ● | ● | ● | ● | ● | ● |   |   |   |    |    |    |    |    |    |    |    |    |    |
| 1130        | PRESSURE TAP                           | 13013352    |      | ● | ● | ● | ● | ● | ● |   |   |   |    |    |    |    |    |    |    |    |    |    |
| 1140        | HOSE D.4/7 LG. 500 MM                  | 13015497    |      | ● | ● | ● | ● | ● | ● |   |   |   |    |    |    |    |    |    |    |    |    |    |
| 1160        | MOTOR 250W 230V-TRI.C111-D12,7         | 65301172    |      | ● | ● | ● | ● | ● | ● |   |   |   |    |    |    |    |    |    |    |    |    |    |
| 1170        | AIR PRESSURE SWITCH SUPPORT            | 13020723    |      | ● | ● | ● | ● | ● | ● |   |   |   |    |    |    |    |    |    |    |    |    |    |
| 1180        | AIR PRESSURE SWITCH                    | 13020502    |      | ● | ● | ● | ● | ● | ● |   |   |   |    |    |    |    |    |    |    |    |    |    |
| <b>1500</b> | <b>ELECTRIC PART</b>                   |             |      |   |   |   |   |   |   |   |   |   |    |    |    |    |    |    |    |    |    |    |
| 1510        | IONISATION PROBE CABLE                 | 65300158    |      | ● | ● | ● | ● | ● | ● |   |   |   |    |    |    |    |    |    |    |    |    |    |
| 1530        | B.C.U. TCG 811.00 (R2.2)               | 65301179    |      | ● | ● | ● | ● | ● | ● |   |   |   |    |    |    |    |    |    |    |    |    |    |
| 1540        | CONTROL UNIT BRACKET+DISPLAY           | 65300727    |      | ● | ● | ● | ● | ● | ● |   |   |   |    |    |    |    |    |    |    |    |    |    |
| 1550        | DISPLAY/CONTROL UNIT TCH2/3XX-TCG2/5XX | 65301109    |      | ● | ● | ● | ● | ● | ● |   |   |   |    |    |    |    |    |    |    |    |    |    |
| 1560        | CABLE+4-PIN WIELAND CONNECTOR (2° ALL) | 65300531    |      | ● | ● | ● | ● | ● | ● |   |   |   |    |    |    |    |    |    |    |    |    |    |
| 1570        | CABLE VALVE MBVEF                      | 65300648    |      | ● | ● | ● | ● | ● | ● |   |   |   |    |    |    |    |    |    |    |    |    |    |
| 1580        | CABLE+GAS PRESSURE SWITCH CONNECTOR    | 13023698    |      | ● | ● | ● | ● | ● | ● |   |   |   |    |    |    |    |    |    |    |    |    |    |
| 1590        | CABLE+CONNECTOR/IGNITER                | 65300619    |      | ● | ● | ● | ● | ● | ● |   |   |   |    |    |    |    |    |    |    |    |    |    |
| 1600        | CABLE+CONNECTOR/MOTOR                  | 13010519    |      | ● | ● | ● | ● | ● | ● |   |   |   |    |    |    |    |    |    |    |    |    |    |
| 1700        | SET RELAY                              | 13017722    |      | ● | ● | ● | ● | ● | ● |   |   |   |    |    |    |    |    |    |    |    |    |    |
| 1701        | SUPPORT RELAY FINDER 95.05             | 13017720    |      | ● | ● | ● | ● | ● | ● |   |   |   |    |    |    |    |    |    |    |    |    |    |
| 1702        | RELAY                                  | 13017721    |      | ● | ● | ● | ● | ● | ● |   |   |   |    |    |    |    |    |    |    |    |    |    |
| 1710        | VARIATOR SUPPORT                       | 65301173    |      | ● | ● | ● | ● | ● | ● |   |   |   |    |    |    |    |    |    |    |    |    |    |
| 1720        | VARIATOR VFNC3S-2004PL                 | 65301161    |      | ● | ● | ● | ● | ● | ● |   |   |   |    |    |    |    |    |    |    |    |    |    |
| 1730        | VARIATOR HOOD                          | 65301175    |      | ● | ● | ● | ● | ● | ● |   |   |   |    |    |    |    |    |    |    |    |    |    |
| 1750        | CABLE+CONTROL UNIT CONNECTOR/VARIATOR  | 65301163    |      | ● | ● | ● | ● | ● | ● |   |   |   |    |    |    |    |    |    |    |    |    |    |
| 1760        | POWER CABLE+7P CONNec./CTRL UNIT LG450 | 65301164    |      | ● | ● | ● | ● | ● | ● |   |   |   |    |    |    |    |    |    |    |    |    |    |
| 1770        | CABLE+CONNECTOR VARIATOR LG.270        | 65301165    |      | ● | ● | ● | ● | ● | ● |   |   |   |    |    |    |    |    |    |    |    |    |    |
| 1780        | CABLE+CTRL UNIT CONNec./RELAY LG.250   | 65301167    |      | ● | ● | ● | ● | ● | ● |   |   |   |    |    |    |    |    |    |    |    |    |    |

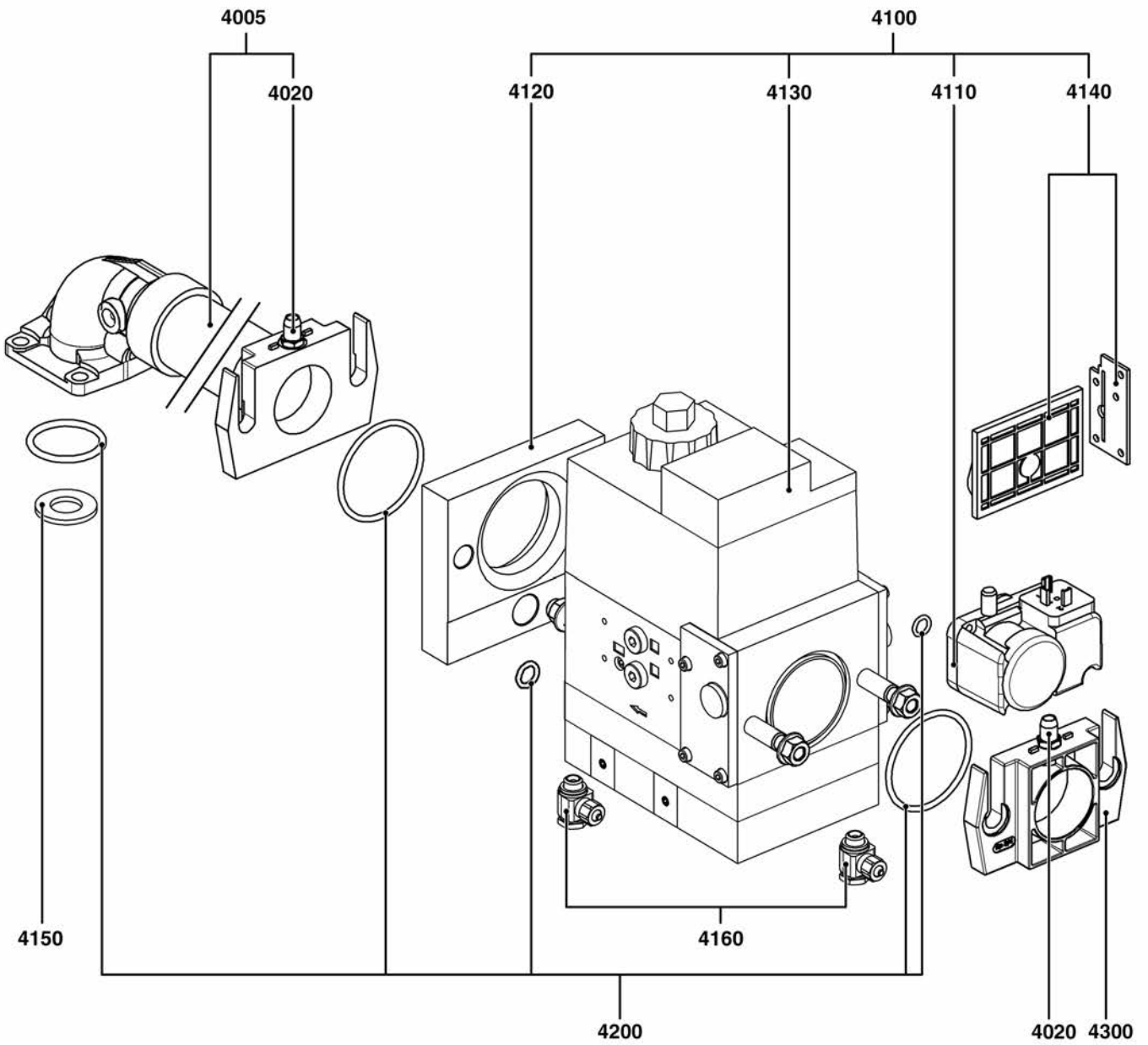
CB-VG2V

Gas burner



| ☉⇒   | Description                       | Manf. Pt. N | Type |   |   |   |   |   |   |   |   |   |    |    |    |    |    |    |    |    |    |
|------|-----------------------------------|-------------|------|---|---|---|---|---|---|---|---|---|----|----|----|----|----|----|----|----|----|
|      |                                   |             |      | 1 | 2 | 3 | 4 | 5 | 6 | 7 | 8 | 9 | 10 | 11 | 12 | 13 | 14 | 15 | 16 | 17 | 18 |
| 2000 | <b>COMBUSTION HEAD</b>            |             |      |   |   |   |   |   |   |   |   |   |    |    |    |    |    |    |    |    |    |
| 2100 | GAS LINE WITH FITTINGS            | 65300764    |      | • |   | • |   | • |   |   |   |   |    |    |    |    |    |    |    |    |    |
|      | GAS LINE WITH FITTINGS            | 65300765    |      |   | • |   | • |   | • |   |   |   |    |    |    |    |    |    |    |    |    |
| 2110 | BAFFLE PLATE D.63/18              | 13010020    |      | • | • | • | • | • | • |   |   |   |    |    |    |    |    |    |    |    |    |
| 2130 | IGNITION ELECTRODE                | 65300738    |      | • | • | • | • | • | • |   |   |   |    |    |    |    |    |    |    |    |    |
| 2140 | PROPANE DIFFUSER                  | 13018630    |      | • | • | • | • | • | • |   |   |   |    |    |    |    |    |    |    |    |    |
| 2150 | ADJUSTMENT SPINDLE                | 13018033    |      | • |   | • |   | • |   |   |   |   |    |    |    |    |    |    |    |    |    |
|      | ADJUSTMENT SPINDLE                | 13018034    |      |   | • |   | • |   | • |   |   |   |    |    |    |    |    |    |    |    |    |
| 2160 | STAR HEAD D.93                    | 13010023    |      | • | • | • | • | • | • |   |   |   |    |    |    |    |    |    |    |    |    |
| 2170 | IONISATION PROBE D.6/8X80         | 13010529    |      | • | • | • | • | • | • |   |   |   |    |    |    |    |    |    |    |    |    |
| 2180 | IGNITION LEAD                     | 13013524    |      | • |   | • |   | • |   |   |   |   |    |    |    |    |    |    |    |    |    |
|      | IGNITION LEAD                     | 13014990    |      |   | • |   | • |   | • |   |   |   |    |    |    |    |    |    |    |    |    |
| 2190 | IONISATION CABLE LG.650MM         | 13015121    |      |   | • |   | • |   | • |   |   |   |    |    |    |    |    |    |    |    |    |
|      | PROBE CABLE                       | 13013525    |      | • |   | • |   | • |   |   |   |   |    |    |    |    |    |    |    |    |    |
| 2200 | GAS INLET TUBE+ ELBOW             | 13020258    |      |   | • |   | • |   | • |   |   |   |    |    |    |    |    |    |    |    |    |
|      | GAS INLET TUBE+ ELBOW             | 13021643    |      | • |   | • |   | • |   |   |   |   |    |    |    |    |    |    |    |    |    |
| 2210 | O-RING D.30X3                     | 13018089    |      | • | • | • | • | • | • |   |   |   |    |    |    |    |    |    |    |    |    |
| 2250 | BURNER TUBE D115/100X230 (DP-GX5) | 13021991    |      | • |   | • |   | • |   |   |   |   |    |    |    |    |    |    |    |    |    |
|      | BURNER TUBE D115/100X350 (DP-GX5) | 13021992    |      |   | • |   | • |   | • |   |   |   |    |    |    |    |    |    |    |    |    |
| 2260 | CONNECTION FLANGE D.115           | 13018134    |      | • | • | • | • | • | • |   |   |   |    |    |    |    |    |    |    |    |    |
| 2261 | GASKET/BOILER FRONT D.115         | 13018135    |      | • | • | • | • | • | • |   |   |   |    |    |    |    |    |    |    |    |    |
| 2262 | MESH GASKETING D.115 5X5-377      | 13020517    |      | • | • | • | • | • | • |   |   |   |    |    |    |    |    |    |    |    |    |

CB-VG2V  
Gas burner



V62-210 V D14-RP214 KN  
 V62-210 V D14-RP214 KL  
 V62-210 V D32-RP214 KN  
 V62-210 V D32-RP214 KL  
 V62-210 V D14-RP114 KN  
 V62-210 V D14-RP114 KL

31

| Description                            | Manf. Pt. N | Type |   |   |   |   |   |   |   |   |   |    |    |    |    |    |    |    |    |    |
|--|-------------|------|---|---|---|---|---|---|---|---|---|----|----|----|----|----|----|----|----|----|
|  |             |      | 1 | 2 | 3 | 4 | 5 | 6 | 7 | 8 | 9 | 10 | 11 | 12 | 13 | 14 | 15 | 16 | 17 | 18 |
| <b>4000 GAS TRAIN</b>                  |             |      |   |   |   |   |   |   |   |   |   |    |    |    |    |    |    |    |    |    |
| 4005 COMPLETE COLLECTOR                | 13018098    |      | • | • | • |   |   |   |   |   |   |    |    |    |    |    |    |    |    |    |
| COMPLETE COLLECTOR                     | 13018623    |      |   |   |   |   |   |   | • | • |   |    |    |    |    |    |    |    |    |    |
| 4020 PRESSURE TAKE-OFF R1/8            | 13009722    |      | • | • | • | • | • | • |   |   |   |    |    |    |    |    |    |    |    |    |
| 4100 GAS VALVE 407 B01 S10+F           | 13020612    |      |   |   |   | • | • |   |   |   |   |    |    |    |    |    |    |    |    |    |
| GAS VALVE 407 B01 S30+F                | 13020611    |      | • | • |   |   |   |   |   |   |   |    |    |    |    |    |    |    |    |    |
| GAS VALVE 412 B01 S10+F                | 13020613    |      |   |   |   |   |   |   | • | • |   |    |    |    |    |    |    |    |    |    |
| 4110 GAS PRESSURE SWITCH GW 150 A5 DIN | 13010078    |      | • | • | • | • | • | • |   |   |   |    |    |    |    |    |    |    |    |    |
| 4120 PULSE FLANGE MBVEF 407            | 13019202    |      | • | • | • | • |   |   |   |   |   |    |    |    |    |    |    |    |    |    |
| PULSE FLANGE MBVEF 412                 | 13019203    |      |   |   |   |   |   |   | • | • |   |    |    |    |    |    |    |    |    |    |
| 4130 COIL N°1105(VS+VA)                | 13010083    |      | • | • | • | • |   |   |   |   |   |    |    |    |    |    |    |    |    |    |
| COIL N°1205(VS+VA)                     | 13010084    |      |   |   |   |   |   |   | • | • |   |    |    |    |    |    |    |    |    |    |
| 4140 SCREEN FILTER                     | 13016011    |      | • | • | • | • |   |   |   |   |   |    |    |    |    |    |    |    |    |    |
| SCREEN FILTER DUNGS MB..410/412        | 13012041    |      |   |   |   |   |   |   | • | • |   |    |    |    |    |    |    |    |    |    |
| 4150 ORIFICE RESTRICTING PIECE D14/29  | 13019198    |      | • | • | • | • | • | • |   |   |   |    |    |    |    |    |    |    |    |    |
| 4160 SET CONNECTORS + TUBES            | 65300673    |      | • | • | • | • | • | • |   |   |   |    |    |    |    |    |    |    |    |    |
| 4200 GASKET SET 407                    | 13019200    |      | • | • | • | • |   |   |   |   |   |    |    |    |    |    |    |    |    |    |
| GASKET SET 412                         | 13019201    |      |   |   |   |   |   |   | • | • |   |    |    |    |    |    |    |    |    |    |
| 4300 INLET FLANGE                      | 13010074    |      | • | • | • | • |   |   |   |   |   |    |    |    |    |    |    |    |    |    |
| INLET FLANGE                           | 13010085    |      |   |   |   |   |   |   | • | • |   |    |    |    |    |    |    |    |    |    |

CB-VG2V  
Gas burner

|      |          | RU<br>PL   | ES<br>TR  | EL                                 | X |
|------|----------|--|---|------------------------------------|---|
| 1010 | 13017369 | ЗВУКОИЗОЛЯЦИЯ ВОЗДУШНЫЙ БЛОК<br>IZOLACJA OBUDOWA UKŁADU POWIE.         | AISLAMIENTO CAJA DE AIRE<br>İZOLASYONU HAVA KUTUSU                    | ΜΟΝΩΣΗ ΚΟΥΤΙ ΑΕΡΑ                  | 1 |
| 1015 | 13022109 | ФЛАНЕЦ+УПЛОТНИТЕЛЬНЫЕ ПРОКЛАДКИ<br>KOŁNIERZ+USZCZELKI                  | BRIDA+JUNTAS<br>FLANŞI+CONTALAR                                       | ΦΛΑΝΤΖΑ ΕΙΣΟΔΟΥ+ΤΣΙΜΟΥΧΕΣ          | 1 |
| 1016 | 13022908 | УПЛОТНИТЕЛЬНАЯ ПРОКЛАДКА Д34,5X3,5<br>USZCZELKA D.34.5X3.5             | JUNTA D.34.5X3.5<br>CONTA D.34.5X3.5                                  | ΦΛΑΝΤΖΑ D.34.5X3.5                 | 1 |
| 1017 | 13018089 | O-RING Д.34,52X3,53<br>O-RING D.30X3                                   | O-RING D.30X3<br>O-RING D.30X3  | O-RING D.30X3                      | 1 |
| 1020 | 13017364 | РЕЦИРКУЛЯТОР ВОЗДУХА (ЧЕРНЫЙ)<br>RECYRKULACJA POWIETRZA (CZARNY)       | RECICLAJE DE AIRE (NEGRO)<br>HAVA GERI DOENÜŞÜMÜ (SIYAH)              | ΑΝΑΚΥΚΛΩΣΗ ΑΕΡΑ (ΜΑΥΡΟΣ)           | 1 |
| 1030 | 13009663 | УСТРОЙСТВО РОЗЖИГА 2P 2X7,5KV<br>APARAT ZAPŁONOWY 2P 2X7,5KV           | ENCENDEDOR 2P 2X7,5KV<br>ATEŞLEYICI 2P 2X7,5KV                        | ΑΝΑΦΛΕΚΤΗΡΑΣ 2P 2X7,5KV            | 1 |
| 1040 | 13010058 | ПРОХОДНАЯ МУФТА ДЛЯ ПРОВОДА<br>PRZELOTKA PRZEWODU                      | PASACABLES<br>KABLO KANALI  | ΣΤΥΠΙΟΘΛΙΠΤΗΣ ΚΑΛΩΔΙΩΝ             | 1 |
| 1041 | 13021960 | ЩИТОК ПАНЕЛИ УПРАВЛЕНИЯ<br>PŁYTA PANELU WSKAŹNIKÓW                     | PLACA DEL PANEL DE CONTROL<br>GOESTERGE PLAKASI                       | ΠΛΑΚΕΤΑ ΕΛΕΓΧΟΥ ΑΕΡΑ               | 1 |
| 1042 | 13015502 | ОТБОР ДАВЛЕНИЯ<br>GNIAZDO POMIARU CIŚNIENIA                            | TOMA DE PRESIÓN<br>BASINÇ GIRIŞI                                      | ΣΗΜΕΙΟ ΛΗΨΗΣ ΠΙΕΣΗΣ                | 1 |
| 1043 | 13007808 | ПРОХОДНАЯ МУФТА ДЛЯ ПРОВОДА Д5/9<br>PRZELOTKA D5/9/PRZEWÓD             | PASACABLES D.5/9 /CABLE ENCENDIDO<br>KABLO KANALI D5/9/ATEŞLEME       | ΣΤΥΠΙΟΘΛΙΠΤΗΣ ΚΑΛΩΔΙΩΝ ΚΑΛΩΔΙΟ ΕΝΑ | 1 |
| 1044 | 13021961 | ТРУБКА Д.6+ФЛАНЕЦ МЕРА ВОЗДУХА<br>PRZEWÓD D6+KOŁNIERZ                  | TUBO D.6+ BRIDA PARA MEDICIÓN AIRE<br>BORU D.6+HAVA OELÇMEK İÇİN      | ΣΩΛΗΝΑ D.6+ ΦΛΑΝΤΖΑ ΓΙΑ ΤΗ ΜΕΤΡΗΣΗ | 1 |
| 1050 | 13018138 | ВОЗДУШНАЯ ЗАСЛОНКА<br>PRZEPUSTNICA POWIETRZA                           | VÁLVULA DE AIRE<br>HAVA KLAPESE                                       | ΤΑΜΠΕΡ ΑΕΡΑ                        | 1 |
| 1060 | 65300527 | СЕРВОДВИГАТЕЛЬ STE 4,5 В0.37/6-R<br>SERVOMOTOR                         | SERVOMOTOR<br>SERVO MOTOR   | ΣΕΡΒΟΜΟΤΕΡ                         | 1 |
| 1070 | 13010095 | РАБОЧЕЕ КОЛЕСО Д.160X52<br>TURBINA D.160X52                            | TURBINA D.160X52<br>TÜRBİN D.160X52                                   | ΦΤΕΡΩΤΗ D.160X52                   | 1 |
| 1110 | 65300723 | ЧЕХОЛ VECTRON2+ ВИНТ КРЕПЛЕНИЯ<br>POKRYWA VEC.2+ SRUBA MOCUJĄCA        | CUBIERTA VECTRON2+ TORNIL. FIJACIÓN<br>MUHAFAZA KAPAĞI VEC.2+BAĞLANTI | ΚΑΒΟΥΚΙ VECTRON2+ ΒΙΔΑ ΣΤΕΡΕΩΣΗΣ   | 1 |
| 1120 | 65300519 | ВИНТ С ПЛОСКОЙ ГОЛОВКОЙ М5Х15<br>SRUBA Z ŁBEM NIOWYM PŁASKIM           | TORNILLO DE CABEZA PLANA M5X15<br>DÜZ BAŞLI VIDA M5X15                | ΒΙΔΑ ΕΠΙΠΕΔΗΣ ΚΕΦΑΛΗΣ Μ5Χ15        | 1 |
| 1130 | 13013352 | ОТБОР ДАВЛЕНИЯ R1/8Z<br>GNIAZDO POMIARU CIŚNIENIA                      | TOMA DE PRESIÓN<br>BASINÇ GIRIŞI                                      | ΣΗΜΕΙΟ ΛΗΨΗΣ ΠΙΕΣΗΣ                | 1 |
| 1140 | 13015497 | ТРУБА Д. 4/7 LG. 500 MM<br>PRZEWÓD D.4/7 LG. 500 MM                    | MANGUERA D.4/7 LG. 500 MM<br>BORU D.4/7 LG. 500 MM                    | ΣΩΛΗΝΑΣ D.4/7 LG. 500 MM           | 1 |
| 1160 | 65301172 | ЭЛЕКТРОДВИГАТЕЛЬ 250W 230V-TRI.C111<br>SILNIK 250W 230V-TRI.C111-D12,7 | MOTOR 250W 230V-TRI.C111-D12,7<br>MOTOR 250W 230V-TRI.C111-D12,7      | ΜΟΤΕΡ 250W 230V-TRI.C111-D12,7     | 1 |
| 1170 | 13020723 | КРОНШТЕЙН Д32 РЕЛЕ ДАВЛЕНИЯ<br>WSPORNIK CZUJNIKA CIŚNIENIA             | SOPORTE DEL MANOSTATO DE AIRE<br>HAVA BASINÇ ŞALTERI MESNEDI          | ΒΑΣΗ ΠΙΕΣΟΣΤΑΤΗ ΑΕΡΑ               | 1 |
| 1180 | 13020502 | РЕЛЕ ДАВЛЕНИЯ ВОЗДУХА<br>CZUJNIK CIŚNIENIA POWIETRZA                   | MANOSTATO DE AIRE<br>HAVA BASINÇ ŞALTERI                              | ΠΙΕΣΟΣΤΑΤΗΣ ΑΕΡΑ                   | 1 |
| 1510 | 65300158 | КАБЕЛЬ ИОНИЗАЦИОННОГО ЗОНДА<br>PRZEWÓD SONDY JONIZACYJNEJ              | CABLE DE LA Sonda DE IONIZACIÓN<br>İYONLAŞMA SONDASI KABLOSU          | ΚΑΛΩΔΙΟ ΑΙΣΘΗΤΗΡΑ ΙΟΝΙΣΜΟΥ         | 1 |
| 1530 | 65301179 | B.C.U. TCG 811.00 (R2.2)<br>B.C.U. TCG 811.00 (R2.2)                   | B.C.U. TCG 811.00 (R2.2)<br>B.C.U. TCG 811.00 (R2.2)                  | B.C.U. TCG 811.00 (R2.2)           | 1 |
| 1540 | 65300727 | ОПОРА БЛОКА УПРАВЛЕНИЯ+ДИСПЛЕЙ<br>WSPORNIK MODUŁU+WYŚWIETLACZ          | SOPORTE DEL CAJETÍN+PANTALLA<br>KUTU DESTEĞİ+EKRAN                    | ΒΑΣΗ ΗΛΕΚΤΡΟΝΙΚΟΥ+ΟΘΟΝΗΣ           | 1 |
| 1550 | 65301109 | ДИСПЛЕЙ/БЛОК УПРАВЛЕНИЯ<br>WYŚWIETLACZ/MODUŁ                           | PANTALLA/CAJETIN TCH2/3XX-TCG2/5XX<br>EKРАН/KUTU TCH2/3XX-TCG2/5XX    | ΟΘΟΝΗ/ΗΛΕΚΤΡΟΝΙΚΟ ΤCH2/3X-TCG2/5X  | 1 |
| 1560 | 65300531 | КАБЕЛЬ+4-КОНТАКТНЫЙ РАЗЪЕМ<br>PRZEWÓD+GNIAZDO WIELAND 4-BIE.           | CABLE+TOMA WIELAND DE 4 P.(2ª ETAPA)<br>KABLO+4 KUT.WIELAND GIRIŞ     | ΚΑΛΩΔΙΟ+ΤΕΤΡΑΠΟΛΙΚΟ ΦΙΣ WIELAND    | 1 |
| 1570 | 65300648 | КАБЕЛЬ ГЛАПАНА MBVEF<br>PRZEWÓD ZAWORU MBVEF                           | CABLE VÁLVULA MBVEF<br>KABLO VANA MBVEF                               | ΚΑΛΩΔΙΟ ΒΑΛΒΙΔΑΣ MBVEF             | 1 |
| 1580 | 13023698 | КАБЕЛЬ+РАЗЪЕМ РЕЛЕ ДАВЛЕНИЯ ГАЗА<br>PRZEWÓD+WTYCZKA CZUJNIKA           | CABLE+TOMA PARA MANOSTATO DE GAS<br>KABLO+GAZ BASINÇ ŞALTERI GIRIŞI   | ΚΑΛΩΔΙΟ+ΥΠΟΔΟΧΗ ΠΙΕΣΟΣΤΑΤΗ ΑΕΡΙΟΥ  | 1 |
| 1590 | 65300619 | КАБЕЛЬ+РАЗЪЕМ/УСТРОЙСТВО РОЗЖИГА<br>PRZEWÓD+GNIAZDO/APARAT             | CABLE+TOMA/ ENCENDEDOR<br>KABLO+PRIZ/ATEŞLEYICI                       | ΚΑΛΩΔΙΟ+ΦΙΣ/ΑΝΑΦΛΕΚΤΗΡΑΣ           | 1 |
| 1600 | 13010519 | КАБЕЛЬ+РАЗЪЕМ/ЭЛЕКТРОДВИГАТЕЛЬ<br>PRZEWÓD+GNIAZDO/SILNIK               | CABLE+TOMA/MOTOR<br>KABLO+PRIZ/MOTOR                                  | ΚΑΛΩΔΙΟ+ΦΙΣ/ΜΟΤΕΡ                  | 1 |
| 1700 | 13017722 | SET RELAY<br>SET RELAY   | RELAIS+SUPP. 2RT 8A AGNI 230V<br>SET RELAY                            | SET RELAY                          | 1 |
| 1701 | 13017720 | ОПОРА РЕЛЕ FINDER 95.05<br>WSPORNIK PRZEKAŹNIK FINDER 95.05            | SOPORTE DEL RELÉ FINDER 95.05<br>HIZ ROELE FINDER 95.05               | ΒΑΣΗ ΤΑΧΥΤΗΤΑ ΡΕΛΕ FINDER 95.05    | 1 |
| 1702 | 13017721 | РЕЛЕ<br>PRZEKAŹNIK   | RELÉ<br>ROELE   | ΡΕΛΕ                               | 1 |
| 1710 | 65301173 | ОПОРА ВАРИАТОРА<br>WSPORNIK REGULACJĄ PRĘDKOŚCI                        | SOPORTE DEL VARIADOR<br>HIZ VARYATÖR DESTEĞİ                          | ΒΑΣΗ ΤΑΧΥΤΗΤΑ VARIATOR             | 1 |
| 1720 | 65301161 | ВАРИАТОРА VFNC3S-2004PL<br>REGULACJĄ PRĘDKOŚCI                         | VARIADOR VFNC3S-2004PL<br>HIZ VARYATÖR VFNC3S-2004PL                  | ΤΑΧΥΤΗΤΑ VARIATOR VFNC3S-2004PL    | 1 |
| 1730 | 65301175 | ВАРИАТОРА ЧЕХОЛ<br>POKRYWA REGULACJĄ PRĘDKOŚCI                         | CUBIERTA VARIADOR<br>MUHAFAZA KAPAĞI HIZ VARYATÖR                     | ΚΑΒΟΥΚΙ ΤΑΧΥΤΗΤΑ VARIATOR          | 1 |



| ☞    | ☒        | RU   |  | ES  |  | EL                                   |  | X |
|------|----------|--|--|---|--|--------------------------------------|--|---|
|      |          | PL   |  | TR  |  |                                      |  |   |
| 1750 | 65301163 | КАБЕЛЬ+РАЗЪЕМ БЛОК УПРАВЛЕНИЯ PRZEWÓD+GNIAZDO MODUŁ                    |  | CABLE+TOMA CAJETÍN/VARIADOR KABLO+KUTU GIRIŞ/HIZ VARYATÖR       |  | ΚΑΛΩΔΙΟ+ΦΙΣ ΗΛΕΚΤΡΟΝΙΚΟ/ΤΑΧΥΤΗΤΑ     |  | 1 |
| 1760 | 65301164 | КАБЕЛЬ+7-КОНТАКТНЫЙ РАЗЪЕМ/БЛОК PRZEWÓD+GNIAZDO 7-BIE./MODUŁ           |  | CABLE+TOMA 7 P./CAJETÍN LG.450 KABLO+7 KUTUPLU GIRIŞ/KUTU       |  | ΚΑΛΩΔΙΟ+ΕΠΤΑΠΟΛΙΚΟ ΦΙΣ/ΗΛΕΚΤΡΟΝΙΚΟ   |  | 1 |
| 1770 | 65301165 | КАБЕЛЬ+РАЗЪЕМ ВАРИАТОРА LG.270 PRZEWÓD+GNIAZDO REGULACJA               |  | CABLE+TOMA VARIADOR LG.270 KABLO+GIRIŞ HIZ VARYATÖR LG.270      |  | ΚΑΛΩΔΙΟ+ΦΙΣ ΤΑΧΥΤΗΤΑ VARIATOR LG.270 |  | 1 |
| 1780 | 65301167 | КАБЕЛЬ+РАЗЪЕМ БЛОК УПРАВЛЕНИЯ PRZEWÓD+GNIAZDO MODUŁ                    |  | CABLE+TOMA CAJETÍN/RELE LG.250 KABLO+KUTU GIRIŞ/ROELE LG.250    |  | ΚΑΛΩΔΙΟ+ΦΙΣ ΗΛΕΚΤΡΟΝΙΚΟ/ΡΕΛΕ LG.250  |  | 1 |
| 2100 | 65300764 | АРМАТУРА ГАЗОПРОВОДА UKŁAD CIŚNIENIA Z WYPOSAŻENIEM                    |  | LÍNEA DE GAS EQUIPADA DONANIMLI GAZ HATTI                       |  | ΕΞΟΠΛΙΣΜΕΝΗ ΓΡΑΜΜΗ ΑΕΡΙΟΥ            |  | 1 |
|      | 65300765 | АРМАТУРА ГАЗОПРОВОДА UKŁAD CIŚNIENIA Z WYPOSAŻENIEM                    |  | LÍNEA DE GAS EQUIPADA DONANIMLI GAZ HATTI                       |  | ΕΞΟΠΛΙΣΜΕΝΗ ΓΡΑΜΜΗ ΑΕΡΙΟΥ            |  | 1 |
| 2110 | 13010020 | ДЕФЛЕКТОР Д.89/30 DEFLEKTOR D.89/30                                    |  | DEFLECTOR D.89/30 DEFLEKTÖR D.89/30                             |  | ΔΙΑΣΚΟΡΠΙΣΤΗΡΑΣ D.89/30              |  | 1 |
| 2130 | 65300738 | РОЗЖИГОВЫЙ ЭЛЕКТРОД ELEKTRODY ZAPŁONOWY                                |  | ELECTRODO DE ENCENDIDO ATEŞLEME ELEKTRODU                       |  | ΗΛΕΚΤΡΟΔΙΟ ΕΝΑΥΣΗΣ                   |  | 1 |
| 2140 | 13018630 | ПРОПАНОВЫЙ ДИФФУЗОР DYSZA PROPANU                                      |  | DIFUSOR DE PROPANO PROPAN DIFÜZOERÜ                             |  | ΔΙΑΝΟΜΕΑΣ ΠΡΟΠΑΝΙΟΥ                  |  | 1 |
| 2150 | 13018033 | РЕГУЛИРОВОЧНЫЙ СТЕРЖЕНЬ TRZPIEŃ REGULACYJNY                            |  | VARILLA DE AJUSTE AYAR ÇUBUĞU                                   |  | ΡΑΒΔΟΣ ΡΥΘΜΙΣΗΣ                      |  | 1 |
|      | 13018034 | РЕГУЛИРОВОЧНЫЙ СТЕРЖЕНЬ TRZPIEŃ REGULACYJNY                            |  | VARILLA DE AJUSTE AYAR ÇUBUĞU                                   |  | ΡΑΒΔΟΣ ΡΥΘΜΙΣΗΣ                      |  | 1 |
| 2160 | 13010023 | ЗВЕЗДОЧКА D.93 GŁOWICA GAZOWA GWIAZDA D.93                             |  | ESTRELLA D.93 YILDIZ D.93                                       |  | ΑΣΤΕΡΙ D.93                          |  | 1 |
| 2170 | 13010529 | ИОНИЗАЦИОННЫЙ ЗОНД Д.6/8X80 SONTA JONIZACYJNA D.6/8X80                 |  | SONDA DE IONIZACIÓN D.6/8X80 İYONLAŞMA SONDASI D.6/8X80         |  | ΑΙΣΘΗΤΗΡΑΣ ΙΟΝΙΣΜΟΥ D.6/8X80         |  | 1 |
| 2180 | 13013524 | КАБЕЛЬ РОЗЖИГА PRZEWÓD ZAPŁONOWY                                       |  | CABLE DE ENCENDIDO ATEŞLEME KABLOSU                             |  | ΚΑΛΩΔΙΟ ΕΝΑΥΣΗΣ                      |  | 1 |
|      | 13014990 | КАБЕЛЬ РОЗЖИГА PRZEWÓD ZAPŁONOWY                                       |  | CABLE DE ENCENDIDO ATEŞLEME KABLOSU                             |  | ΚΑΛΩΔΙΟ ΕΝΑΥΣΗΣ                      |  | 1 |
| 2190 | 13013525 | КАБЕЛЬ ЗОНДА PRZEWÓD SONDY   |  | CABLE DE LA SONTA SONTA KABLOSU                                 |  | ΚΑΛΩΔΙΟ ΑΙΣΘΗΤΗΡΑ                    |  | 1 |
|      | 13015121 | ИОНИЗАЦИОННЫЙ КАБЕЛЬ LG.650MM PRZEWÓD JONIZACJI LG.650MM               |  | IONIZACIÓN CABLE LG.650MM İYONIZASYON KABLOSU LG.650MM          |  | ΚΑΛΩΔΙΟ ΙΟΝΙΣΜΟΥ LG.650MM            |  | 1 |
| 2200 | 13020258 | ТРУБКА ПОДВОДА ГАЗА+КОЛЕНО PRZEWÓD DOPROWADZANIA                       |  | TUBO DE CONDUCCIÓN GAS+CODO GAZ GELIŞ BORUSU+DIRSEK             |  | ΣΩΛΗΝΑΣ ΠΑΡΟΧΗΣ ΑΕΡΙΟΥ+ΚΕΚΑΜΜ.       |  | 1 |
|      | 13021643 | ТРУБКА ПОДВОДА ГАЗА+КОЛЕНО PRZEWÓD DOPROWADZANIA                       |  | TUBO DE CONDUCCIÓN DEL GAS+CODO GAZ GELIŞ BORUSU+DIRSEK         |  | ΣΩΛΗΝΑΣ ΠΑΡΟΧΗΣ ΑΕΡΙΟΥ+ΚΕΚΑΜΜ.       |  | 1 |
| 2210 | 13018089 | O-RING Д.34.52X3.53 O-RING D.30X3                                      |  | O-RING D.30X3 O-RING D.30X3                                     |  | O-RING D.30X3                        |  | 1 |
| 2250 | 13021991 | СОПЛО ГОРЕЛКИ Д115/100X230 (DP-GX5) RURA PALNIKA D115/100X230 (DP-GX5) |  | TUBO QUEMADOR D115/100X230 (DP-GX5) BRÜLÖR BORUSU D115/100X230  |  | ΦΛΟΓΟΣΩΛΗΝΑΣ D115/100X230 (DP-GX5)   |  | 1 |
|      | 13021992 | СОПЛО ГОРЕЛКИ Д115/100X350 (DP-GX5) RURA PALNIKA D115/100X350 (DP-GX5) |  | TUBO QUEMADOR D115/100X350 (DP-GX5) BRÜLÖR BORUSU D115/100X350  |  | ΦΛΟΓΟΣΩΛΗΝΑΣ D115/100X350 (DP-GX5)   |  | 1 |
| 2260 | 13018134 | ПРИСОЕДИНИТЕЛЬНЫЙ ФЛАНЕЦ Д.115 РОЉАCZENIA KOŁNIERZOWE D.115            |  | BRIDA DE CONEXIÓN D.115 BAĞLANTI FLANŞI D.115                   |  | ΦΛΑΝΤΖΑ ΣΥΝΔΕΣΗΣ D.115               |  | 1 |
| 2261 | 13018135 | УПЛОТНИТЕЛЬНАЯ ПРОКЛАДКА USZCZELKA/PRZEDNIA CZĘŚĆ KOTŁA                |  | JUNTA/FRONTAL DE LA CALDERA D.115 KAZAN CONTA/OEN YÜZ D.115     |  | ΦΛΑΝΤΖΑ/ΠΡΟΣΟΨΗ ΛΕΒΗΤΑ D.115         |  | 1 |
| 2262 | 13020517 | ПЛЕТЕНАЯ ПРОКЛАДКА Д.115 5X5-377 USZCZELKA PLECIONA D.115 5X5-377      |  | JUNTA TRENZADA D.115 5X5-377 OERÜLÜ CONTA D.115 5X5-377         |  | ΣΤΕΓΑΝΩΤΙΚΟ ΚΟΡΔΟΝΙ D.115 5X5-377    |  | 1 |
| 4005 | 13018098 | КОЛЛЕКТОР В СБОРЕ KOLEKTOR KOMPL.                                      |  | COLECTOR ACPL. MANIFOLD KMPL                                    |  | ΣΥΛΛΕΚΤΗΣ, ΜΗΧΑΝΙΣΜΟΣ ΣΥΖΕΥΞΗΣ       |  | 1 |
|      | 13018623 | КОЛЛЕКТОР В СБОРЕ KOLEKTOR KOMPL.                                      |  | COLECTOR ACPL. MANIFOLD KMPL                                    |  | ΣΥΛΛΕΚΤΗΣ, ΜΗΧΑΝΙΣΜΟΣ ΣΥΖΕΥΞΗΣ       |  | 1 |
| 4020 | 13009722 | ОТБОР ДАВЛЕНИЯ R1/8 GNIAZDO POMIARU CIŚNIENIA R1/8                     |  | TOMA DE PRESIÓN R1/8 BASINÇ GIRIŞI R1/8                         |  | ΑΚΡΟ ΠΙΕΣΗΣ R1/8                     |  | 1 |
| 4100 | 13020611 | ГАЗОВЫЙ КЛАПАН 407 B01 S30+F ZAWÓR GAZOWY 407 B01 S30+F                |  | VÁLVULA GAS 407 B01 S30+F GAZ VANASI 407 B01 S30+F              |  | ΒΑΛΒΙΔΑ ΑΕΡΙΟΥ 407 B01 S30+F         |  | 1 |
|      | 13020612 | ГАЗОВЫЙ КЛАПАН 407 B01 S10+F ZAWÓR GAZOWY 407 B01 S10+F                |  | VÁLVULA GAS 407 B01 S10+F GAZ VANASI 407 B01 S10+F              |  | ΒΑΛΒΙΔΑ ΑΕΡΙΟΥ 407 B01 S10+F         |  | 1 |
|      | 13020613 | ГАЗОВЫЙ КЛАПАН 412 B01 S10+F ZAWÓR GAZOWY 412 B01 S10+F                |  | VÁLVULA GAS 412 B01 S10+F GAZ VANASI 412 B01 S10+F              |  | ΒΑΛΒΙΔΑ ΑΕΡΙΟΥ 412 B01 S10+F         |  | 1 |
| 4110 | 13010078 | ГАЗОВЫЙ РЕЛЕ ДАВЛЕНИЯ GW 150 A5 DIN CZUJNIK CIŚNIENIA GW 150 A5 DIN    |  | MANOSTATO DE GAS GW 150 A5 DIN GAZ BASINÇ ŞALTERI GW 150 A5 DIN |  | ΠΙΕΣΟΣΤΑΤΗΣ ΑΕΡΙΟΥ GW 150 A5 DIN     |  | 1 |
| 4120 | 13019202 | ПУЛЬС ФЛАНЕЦ 407 IMPULS KOŁNIERZA 407                                  |  | BRIDA DE PULSO 407 DARBE FLANŞ 407                              |  | ΦΛΑΝΤΖΑ ΣΦΥΓΜΟΥ 407                  |  | 1 |
|      | 13019203 | ПУЛЬС ФЛАНЕЦ 412 IMPULS KOŁNIERZA 407                                  |  | BRIDA DE PULSO 412 DARBE FLANŞ 412                              |  | ΦΛΑΝΤΖΑ ΣΦΥΓΜΟΥ 412                  |  | 1 |
| 4130 | 13010083 | КАТУШКА N°1105(VS+VA) CEWKA N°1105(VS+VA)                              |  | BOBINA N°1105(VS+VA) BOBIN N°1105(VS+VA)                        |  | ΠΗΝΙΟ N°1105(VS+VA)                  |  | 1 |
|      | 13010084 | КАТУШКА N°1205(VS+VA) CEWKA N°1205(VS+VA)                              |  | BOBINA N°1205(VS+VA) BOBIN N°1205(VS+VA)                        |  | ΠΗΝΙΟ N°1205(VS+VA)                  |  | 1 |

| ☰    | XXXXXXXXXX | RU  | ES  | EL                               | ☒ |
|------|------------|---|---|----------------------------------|---|
|      |            | PL  | TR  |                                  |   |
| 4140 | 13012041   | СЕТЧАТЫЙ ФИЛЬТР DUNGS MB..410/412<br>FILTR SITOWY DUNGS MB..410/412 | FILTRO DE TAMIZ DUNGS MB..410/412<br>FILTRE SÜZGEÇİ DUNGS MB..410/412 | ΦΙΛΤΡΟ ΜΕ ΣΗΤΑ DUNGS MB..410/412 | 1 |
|      | 13016011   | СЕТЧАТЫЙ ФИЛЬТР<br>FILTR SITOWY                                     | FILTRO DE TAMIZ<br>FILTRE SÜZGEÇİ                                     | ΦΙΛΤΡΟ ΜΕ ΣΗΤΑ                   | 1 |
| 4150 | 13019198   | ДИАФРАГМА D.14/29<br>OTWÓR D14/29                                   | APERTURA D14/29<br>DİYAFRAM D14/29                                    | ΔΙΑΦΡΑΓΜΑ D14/29                 | 1 |
| 4160 | 65300673   | ШТУЦЕР + ТРУБКИ<br>ZESTAW ZŁĄCZY + PRZEWÓDY                         | KIT DE CONEXIÓN + TUBOS<br>BAĞLANTI KİTİ + BORUSU                     | ΚΙΤ ΣΥΝΔΕΣΗΣ + ΣΩΛΗΝΕΣ           | 1 |
| 4200 | 13019200   | КОМПЛЕКТ ПРОКЛАДОК 407<br>ZESTAW USZCZELEK 407                      | KIT DE JUNTAS 407<br>CONTA KITI 407                                   | ΚΙΤ ΦΛΑΝΤΖΩΝ 407                 | 1 |
|      | 13019201   | КОМПЛЕКТ ПРОКЛАДОК 412<br>ZESTAW USZCZELEK 412                      | KIT DE JUNTAS 412<br>CONTA KITI 412                                   | ΚΙΤ ΦΛΑΝΤΖΩΝ 412                 | 1 |
| 4300 | 13010074   | ВХОДНОЙ ФЛАНЕЦ<br>KOŁNIERZ WEJŚCIOWY                                | BRIDA DE ENTRADA<br>GİRİŞ FLANŞI                                      | ΦΛΑΝΤΖΑ ΕΙΣΟΔΟΥ                  | 1 |
|      | 13010085   | ВХОДНОЙ ФЛАНЕЦ<br>KOŁNIERZ WEJŚCIOWY                                | BRIDA DE ENTRADA<br>GİRİŞ FLANŞI                                      | ΦΛΑΝΤΖΑ ΕΙΣΟΔΟΥ                  | 1 |
|      |            |   |   |                                  |   |
|      |            |   |   |                                  |   |
|      |            |   |   |                                  |   |
|      |            |   |   |                                  |   |
|      |            |   |   |                                  |   |
|      |            |   |   |                                  |   |
|      |            |   |   |                                  |   |
|      |            |   |   |                                  |   |
|      |            |   |   |                                  |   |
|      |            |   |   |                                  |   |
|      |            |   |   |                                  |   |
|      |            |   |   |                                  |   |
|      |            |   |   |                                  |   |
|      |            |   |   |                                  |   |
|      |            |   |   |                                  |   |
|      |            |   |   |                                  |   |
|      |            |   |   |                                  |   |
|      |            |   |   |                                  |   |
|      |            |   |   |                                  |   |
|      |            |   |   |                                  |   |

CB-VG2V  
 Gas burner



## ADDRESSES

[www.elco.net](http://www.elco.net)

Hotline



**ELCO Austria GmbH**

Aredstr.16-18  
2544 Leobersdorf

+43 (0)810-400010



**ELCO Belgium n.v./s.a.**

Industrielaan 61  
1070 Anderlecht

+32 (0)2-4631902



**ELCOTHERM AG**

Sarganserstrasse 100  
7324 Vilters

+41 (0)848 808 808



**ELCO GmbH**

Dreieichstr.10  
64546 Mörfelden-Walldorf

+49 (0)180-3526180



**ELCO Industry Italy**

Corte degli Speciali 10/14  
28100 Novara

+39 (0)321 338600



**ELCO Burners B.V.**

Meerpaalweg 1  
1332 BB ALMERE

+31 (0)88 69 573 11



**OOO «Ariston Thermo RUS LLC»**

Bolshaya Novodmitrovskaya 14/1 6th  
floor-Office 626  
127015 Moscow-Russia

+7 495 213  
0300#4128

## LIST OF THE ABBREVIATIONS



: Maintenance parts / Pièces d'entretien / Materiali di consumo /  
: Piezas de mantenimiento / Hilfsmaterial / Onderhoudsonderdelen



: Wearing parts / Pièces d'usure / Parti di usura  
: Piezas de desgaste / Verschleissteile / Slijtageonderdelen



: Item not stocked, manufactured to order / Article non stocké, fabrication à la demande /  
: Articolo non a magazzino, produzione all'ordine / Artículo no almacenado, fabricación previa solicitud /  
: Keine Lagerware, wird bei Bedarf bestellt, Artikel niet op voorraad, fabricage op bestelling

## IDENTIFICATION PLATE

### SERIAL NUMBER

7 Characters :

00001 / K A

Sequential number

Trimester of manufacture : from A to D

Year of manufacture : → K → 2003

L → 2004

M → 2005

etc ...

8 Characters :

00001 / L 09

Sequential number

Month of manufacture

Year of manufacture : → K → 2003

L → 2004

M → 2005

etc ...

11 Characters :

2007 1370 P 07

Year of manufacture

Month of manufacture

Year of manufacture : P → 2007

R → 2008

S → 2009

T → 2010

U → 2011

W → 2012

X → 2013

Y → 2014

Z → 2015

Sequential number

The indications mentioned on the prices, commercial or technical literature and the scheme are written for your guidance and are available at a given time. The CONSTRUCTOR retains the power to modify the presentation, the form, the size, the conception or the material of the products.