

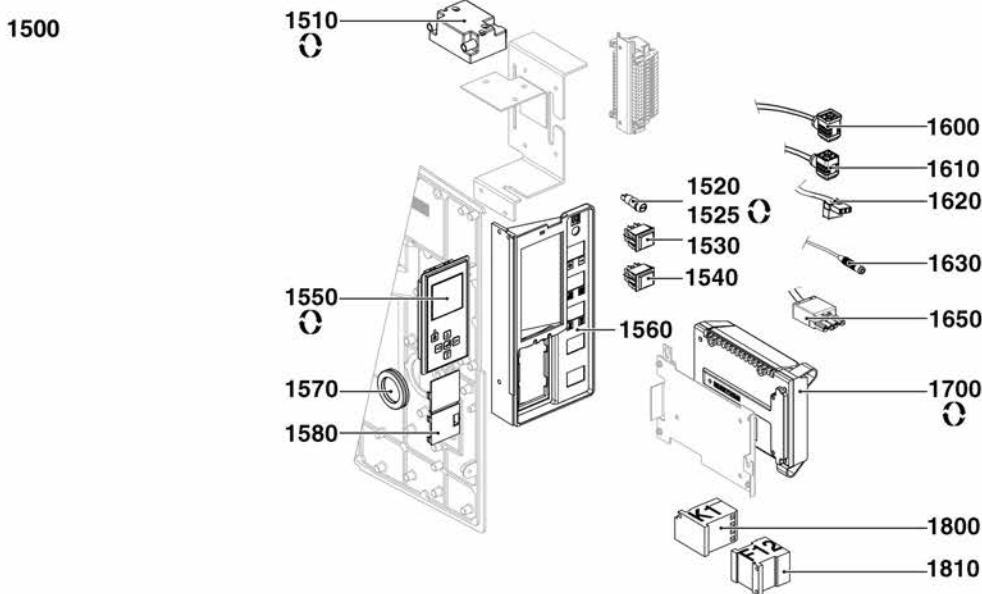
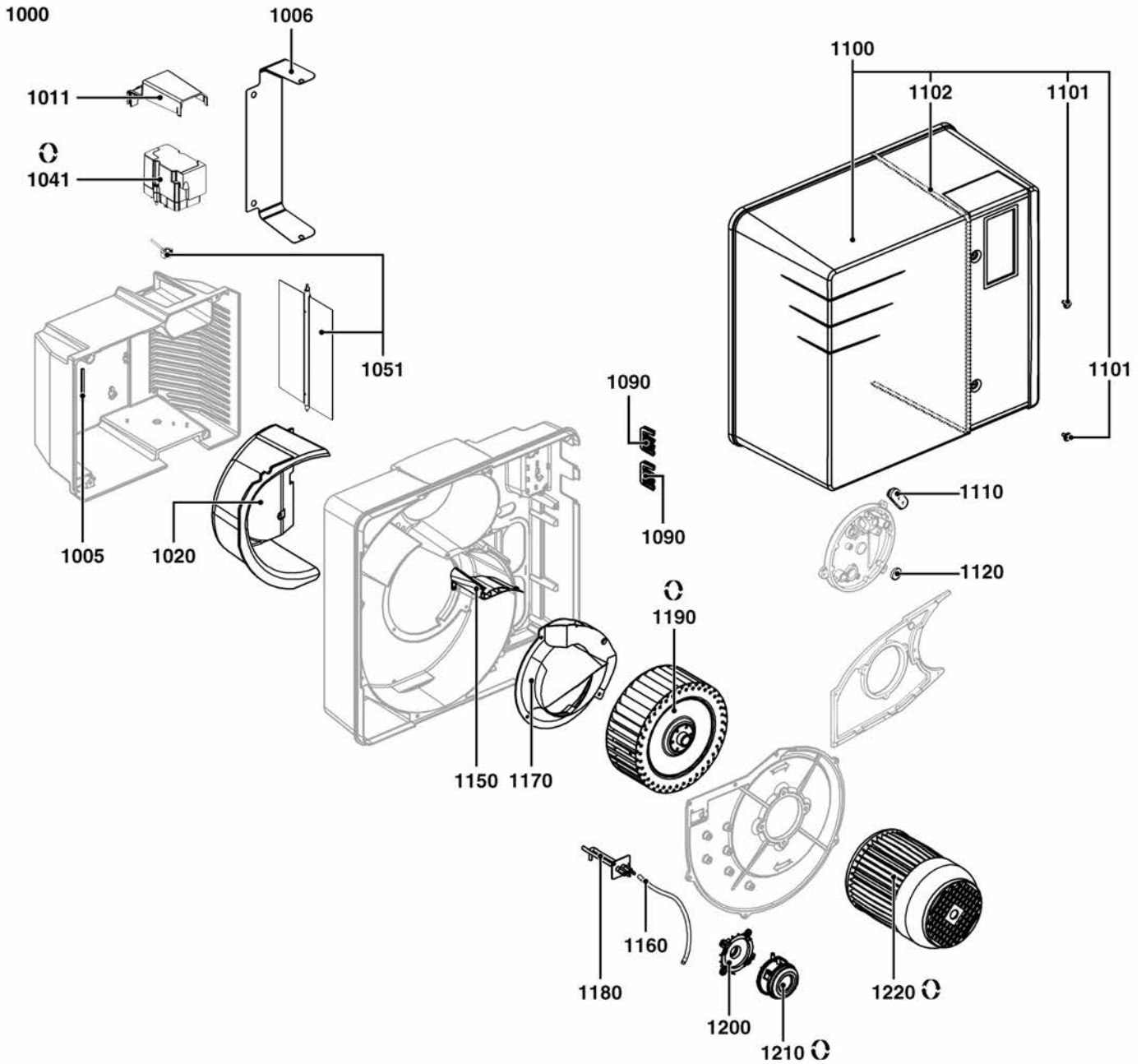
## SPARE PARTS EXPLODED VIEW GAS BURNERS

Model

### **CB-VG5DP R (50/60Hz)**

R8220161-01 - 27/01/2016

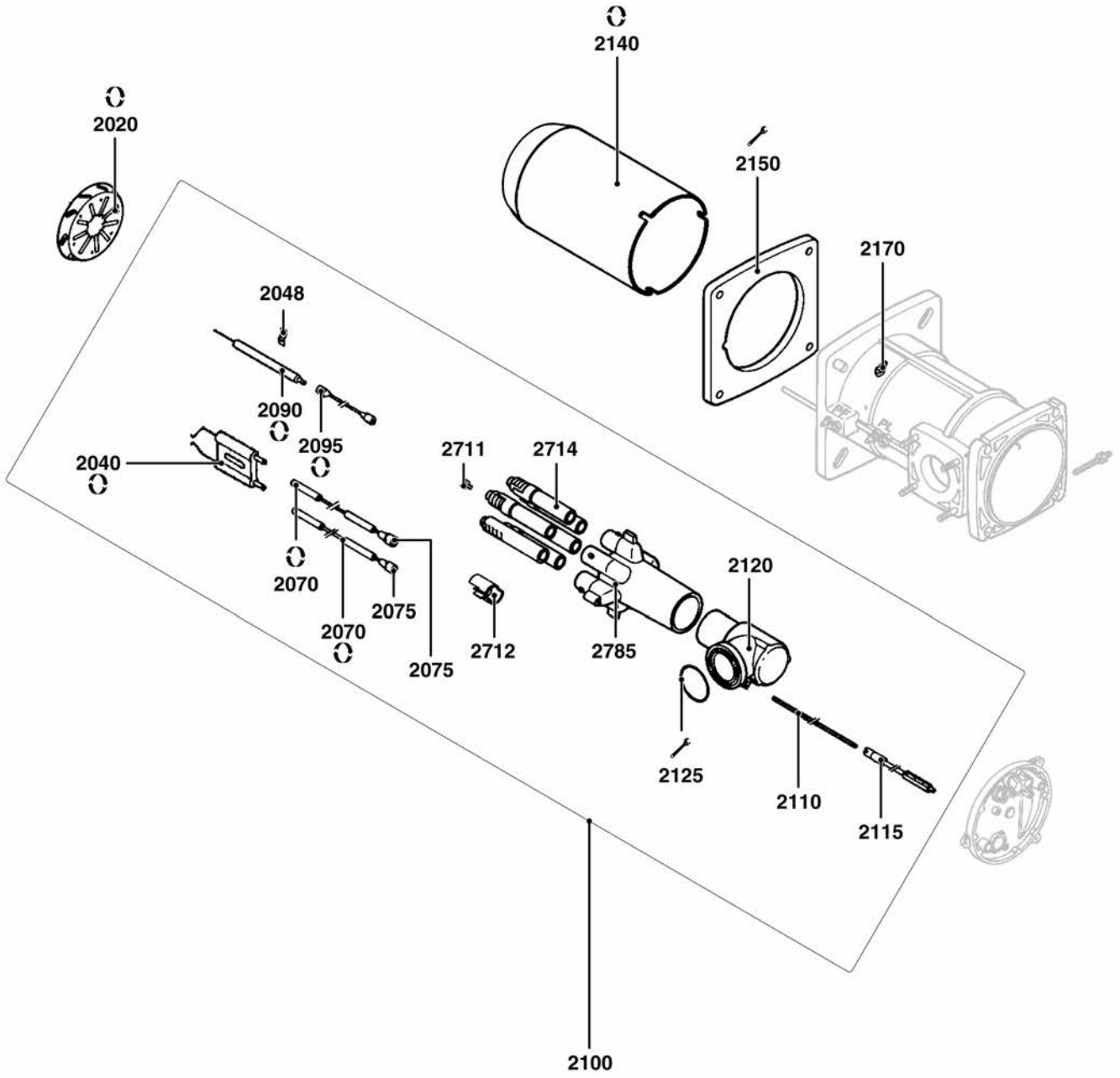
1	3834739	BB-VG5.950 DP R	08-2015	-
2	3834740	BB-VG5.950 DP R 60HZ		
3	3834738	BB-VG5.1200 DP R	07-2015	-
4	3834741	BB-VG5.1200 DP R 60HZ		
5	3835823	CH-G0633 - T1/KN	01-2016	-
6	3835824	CH-G0633 - T2/KL	01-2016	-
7	3835825	CH-G0633 - T3/KM	01-2016	-
8	3835826	CH-G0634 - T1/KN	01-2016	-
9	3835827	CH-G0634 - T2/KL	01-2016	-
10	3835828	CH-G0634 - T3/KM	01-2016	-
11	3832064	GT-d311 - 3/4" - Rp1"	06-2010	-
12	3833474	GT-d331 - 1"1/4-Rp2"	01-2011	-
13	3833192	GT-d327 - 1"1/2-Rp2"	02-2011	-
14	3833482	GT-s313 - 2"-Rp2"	07-2012	-
15	3833483	GT-s314 - 65-DN65	07-2012	-
Col	Reference	Model type	Begin	End



☉	Description	Manf. Pt. N	Type	<div style="border: 1px solid black; padding: 2px;"> <span style="font-size: small; display: inline-block; transform: rotate(-45deg);">BB-VG5-90 DP R</span>  <span style="font-size: small; display: inline-block; transform: rotate(-45deg);">BB-VG6-90 DP R 60HZ</span>  <span style="font-size: small; display: inline-block; transform: rotate(-45deg);">BB-VG6-1200 DP R</span>  <span style="font-size: small; display: inline-block; transform: rotate(-45deg);">CH-G0083 - 11/KN</span>  <span style="font-size: small; display: inline-block; transform: rotate(-45deg);">CH-G0083 - 12/KL</span>  <span style="font-size: small; display: inline-block; transform: rotate(-45deg);">CH-G0083 - 13/KM</span>  <span style="font-size: small; display: inline-block; transform: rotate(-45deg);">CH-G0083 - 11/KN</span>  <span style="font-size: small; display: inline-block; transform: rotate(-45deg);">CH-G0083 - 12/KL</span>  <span style="font-size: small; display: inline-block; transform: rotate(-45deg);">GT-831 - 3/4" - R07"</span>  <span style="font-size: small; display: inline-block; transform: rotate(-45deg);">GT-831 - 1 1/4" R02"</span>  <span style="font-size: small; display: inline-block; transform: rotate(-45deg);">GT-831 - 2" R02"</span>  <span style="font-size: small; display: inline-block; transform: rotate(-45deg);">GT-831 - 65-DN65</span> </div>																		From	to
				1	2	3	4	5	6	7	8	9	10	11	12	13	14	15	16	17	18		
<b>1000</b>	<b>BURNER BODY</b>																						
1005	AIR BOX GASKET	13009640		●	●	●	●																
1006	AIR GUIDING PIECE	65326224		●	●	●	●																
1011	ACTUATOR COVER	65326223		●	●	●	●																
1020	AIR BOX INSULATION	13009641		●	●	●	●																
1041	ACTUATOR STE 4,5 B0.37/6-L	65326229		●	●	●	●																
1051	AIR FLAP CPL.	65326225		●	●	●	●																
1090	GROMMET/HOUSING	13016845		●	●	●	●																
1100	HOOD VECTRON5 AND V6+MOUNTING SCREW	65301016		●	●	●	●																
1101	FLAT HEAD SCREW M5X15	65300519		●	●	●	●																
1102	GASKET STRIP/COVER	13009772		●	●	●	●																
1110	CABLE GROMMET	13009648		●	●	●	●																
1120	INDICATOR LIGHT	13020327		●	●	●	●																
1150	AIR RECYCLING	65301017		●	●	●	●																
1160	HOSE D.4/7 LG. 500 MM	13015497		●	●	●	●																
1170	AIR RECIRCULATION (BLACK)	13009645		●	●	●	●																
1180	DIFFERENTIAL PRESS. TAP (WHITE)	13009651		●	●	●	●																
1190	FAN WHEEL D215X82 d19	65300542		●	●	●	●																
	FAN WHEEL D240X82 d19	13009649		●	●	●	●																
1200	AIR PRESSURE SWITCH BASE D32	13020723		●	●	●	●																
1210	AIR PRESSURE SWITCH 604 1-10MBAR	65300991		●	●	●	●																
	AIR PRESSURE SWITCH HUBA 604 5-20MBAR	65301048		●	●	●	●																
1220	MOTOR 1.5KW 230/400V D19 + PLUG	13009654		●	●	●	●																
<b>1500</b>	<b>ELECTRIC PART</b>																						
1510	IGNITION TRANSFORMER EBI 2X7.5 230V	13009663		●	●	●	●																
1520	FUSE HOLDER + FUSE 6.3A	13016457		●	●	●	●																
1525	FUSE 5X20 6.3A	13016028		●	●	●	●																
1530	OPERATING SWITCH ON/OFF	13010007		●	●	●	●																
1540	OPERATING SWITCH - OPERATION	13014009		●	●	●	●																
1550	DISPLAY FOR CONTROL UNIT TCG-TCH REL.2.2	65301109		●	●	●	●																
1560	PLASTIC CONTROL BOARD	65300992		●	●	●	●																
1570	CABLE GROMMET D54/D47/D36	65300993		●	●	●	●																
1580	SHUTTER/CONSOLE	13009661		●	●	●	●																
1600	CABLE + CONNECT. / GAS PRESSURE SWITCH	65301019		●	●	●	●																
1610	CABLE + CONNECT. / GAS VALVE	65301020		●	●	●	●																
1620	CABLE / IGNITER	65300997		●	●	●	●																
1630	IONISATION CABLE+CONNECT.	65300158		●	●	●	●																
1650	CABLE L560+PLUG 4P/MOTOR	65301000		●	●	●	●																
1700	CONTROL UNIT TCG 511.00	65301021		●	●	●	●																
1800	CONTACTOR	13009778		●	●	●	●																
1810	RELAY MOTOR PROT.	13020693		●	●	●	●																

**CB-VG5DP R (50/60Hz)**

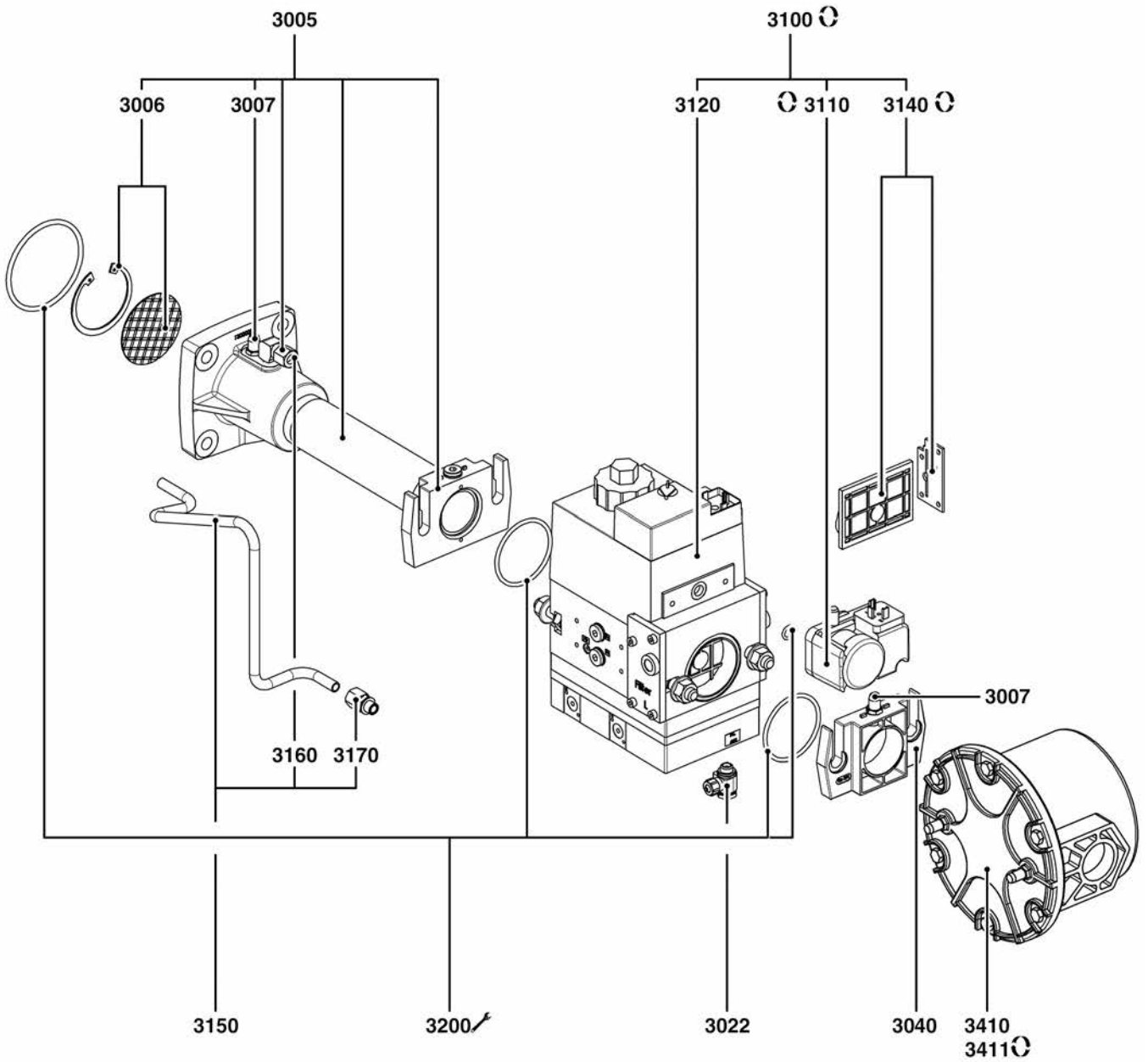
**Gas burners**



☉⇒	Description	Manf. Pt. N	Type	<div style="display: flex; justify-content: space-between; font-size: small;"> <span>BB-VG5-90 DP R</span> <span>BB-VG6-90 DP R</span> <span>BB-VG6-1200 DP R</span> <span>BB-VG6-1200 DP R</span> <span>CH-G0083 - 11/KN</span> <span>CH-G0083 - 12/KN</span> <span>CH-G0083 - 13/KN</span> <span>CH-G0083 - 11/KN</span> <span>CH-G0083 - 12/KN</span> <span>CH-G0083 - 13/KN</span> <span>GT-831 - 3/4" - R97"</span> <span>GT-831 - 1/4" - R97"</span> <span>GT-831 - 1/2" - R92"</span> <span>GT-831 - 2" - R92"</span> <span>GT-831 - 65-DN65</span> </div>																		From	to
				1	2	3	4	5	6	7	8	9	10	11	12	13	14	15	16	17	18		
<b>2000</b>	<b>COMBUSTION HEAD</b>																						
2020	BAFFLE PLATE D115/40X13,5 9SL. 6DRIL	65326674								●	●	●											
	BAFFLE PLATE D125/40 9SL R 6DRIL.	13009612						●	●	●													
2040	ELECTROD.BLOC.27X55 d6,4 D2X23 45°+SCREW	13009726						●	●	●	●	●	●										
2048	IONI. SENSOR FIX. PLATE	13010054						●	●	●	●	●	●										
2070	IGNITION CABLE D4-D6,35X850	13009623						●			●												
	IGNITION CABLE L1050MM	13009624							●	●		●	●										
2075	RUBBER CAP/IGNITION CABLE	13009625						●	●		●	●	●										
2090	IONISATION PROBE D8X120 d6,4 D4X36	13009626						●	●	●	●	●	●										
2095	IONISATION CABLE SIL.F.MC4-D6,35X1050	13009628						●	●		●	●	●										
	IONISATION CABLE SIL.F.MC4-D6,35X750	13009627						●			●												
2100	GAS LINE ASS. VG5R/NC95/120G KL/T2	13010065							●			●											
	GAS LINE ASS. VG5R/NC95/120G KM/T3	13010066								●			●										
	GAS LINE ASS. VG5R/NC95/120G KN/T1	13010064						●			●												
2110	ADJUSTMENT SPINDLE LG.344	13009635						●			●												
	ADJUSTMENT SPINDLE LG.454	13009637								●			●										
	ADJUSTMENT SPINDLE LG.564	13009636							●			●											
2115	ADJUSTMENT SPINDLE EXTENSION	13009638						●	●	●	●	●	●										
2120	GAS BEND LG.173	13009632						●															
	GAS BEND LG.283	13009634								●				●									
	GAS BEND LG.393	13009633							●				●										
2125	O-RING D.55X4	13009631						●	●	●	●	●	●										
2140	FLAME TUBE D141/125/170 L305	13011601						●															
	FLAME TUBE D141/125/170 L415	13011603								●													
	FLAME TUBE D141/125/170 L525	13011602							●														
	FLAME TUBE D170,8/141 L305	65326667									●												
	FLAME TUBE D170,8/141 L415	65326669										●											
	FLAME TUBE D170,8/141 L525	65326668										●											
2150	GASKET/BOILER FRONT 228X220X10	13009619						●	●	●	●	●	●										
2170	M6 SCREW (LEFT HAND) BURNER TUBE FIX.	13007804						●	●	●	●	●	●										
2711	PROPANE ACCESS. KIT	13007041						●	●	●	●	●	●										
	SCREW SET NATURAL GAS	13010062						●	●	●	●	●	●										
2712	SHUTTER/NOZZLE	13010061						●	●	●	●	●	●										
2714	GAS NOZZLES (X6)	13010063						●	●	●	●	●	●										
2785	STAR GAS HEAD	13009630						●	●	●	●	●	●										

CB-VG5DP R (50/60Hz)

Gas burners

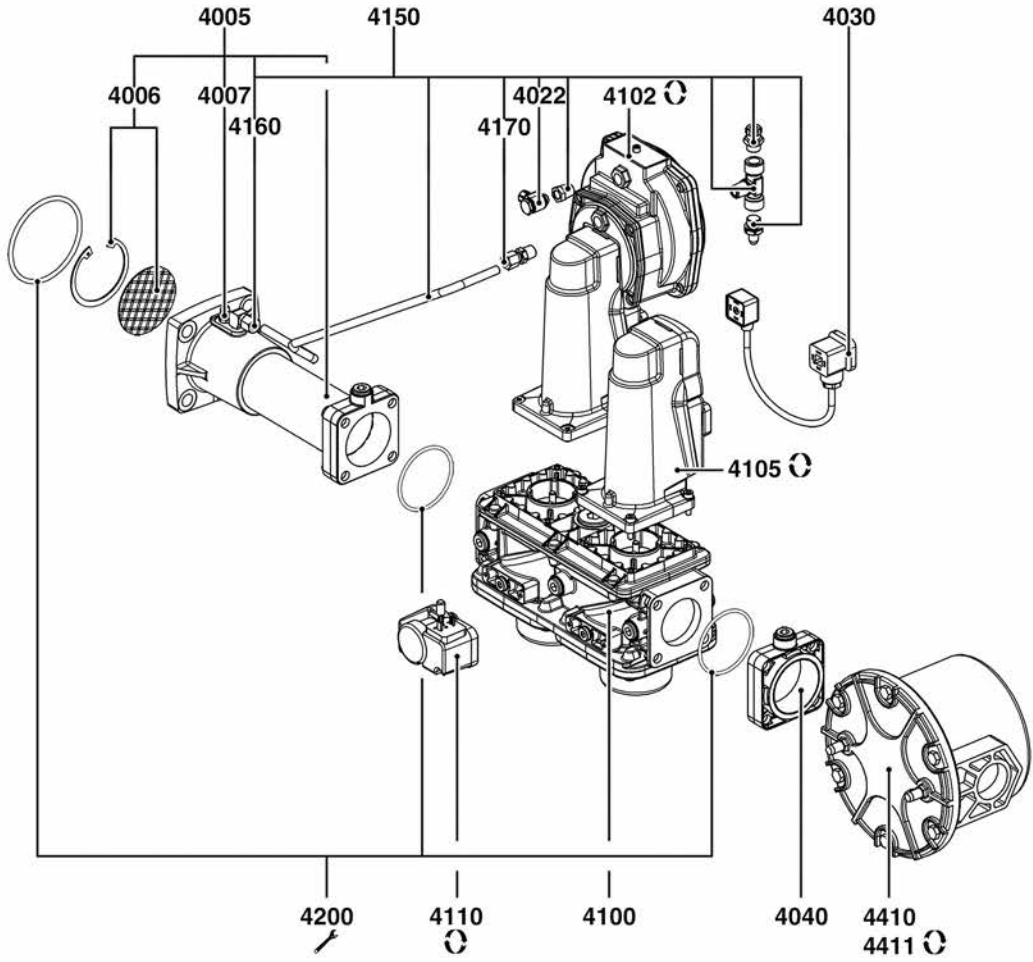


☉⇒	Description	Manf. Pt. N	Type	<div style="display: flex; justify-content: space-between; align-items: center;"> <div style="writing-mode: vertical-rl; transform: rotate(180deg); font-size: 8px;"> BB-VG5-950 DP R  BB-VG6-950 DP R  BB-VG6-1200 DP R  BB-VG6-1200 DP R  CH-G00633 - 11/KN  CH-G00633 - 12/KL  CH-G00633 - 13/KM  CH-G00634 - 11/KN  CH-G00634 - 12/KL  GT-8311 - 3/4" - Rp1"  GT-8311 - 3/4" - Rp1"  GT-8311 - 1/2-Rp2"  GT-8311 - 1/2-Rp2"  GT-8311 - 65-DIN65 </div> <div style="text-align: center; border: 1px solid black; padding: 2px;"> 31 </div> <div style="writing-mode: vertical-rl; font-size: 8px;"> From to </div> </div>																		1	2	3	4	5	6	7	8	9	10	11	12	13	14	15	16	17	18
				<b>3000</b>	<b>GAS TRAIN</b>																																		
3005	COLLECTOR CPL. RP 1"1/4	13014012											●																										
	COLLECTOR CPL. RP2	13011796												●																									
	COLLECTOR CPL. RP3/4	13014011										●																											
3006	STABILISER + CIRCLIP D.60	13011367										●	●	●																									
3007	PRESSURE TAP R1/8	13009722										●	●	●																									
3022	BANJO UNION LCK-G1/8-PK4	13020682										●	●	●																									
3040	FLANGE MB405/407 RP3/4 +O-RING	13010074										●																											
	FLANGE MB410/412 RP1 1/4	13010085											●																										
	FLANGE MB420 RP2 W.PRES.PLUG	13007859												●																									
3100	GAS VALVE MBVEF407 B01 S30 RP3/4"PL=1.2	13011113										●																											
	GAS VALVE MBVEF412 B01 S30 PL=0.3-PF=1.2	13011720											●																										
	GAS VALVE MBVEF420 B01 S10 RP2"+FP	13011725												●																									
3110	GAS PRESS. SWITCH GW 150 A5 30-150MB DIN	13010078										●	●	●																									
3120	DUN COIL No. 1105 MBVEF407	13010083										●																											
	DUN COIL No. 1205 MBVEF412	13010084											●																										
	DUN COIL No. 1215 MBVEF420	13011726												●																									
3140	FILTERING ELEMENT /MB...410/412	13016012											●																										
	FILTERING ELEMENT /MB...420	13007901												●																									
	SCREEN FILTER /MB...405/407	13016011										●																											
3150	GAS PRESSURE TUBE MBVEF407+UNION	13022464										●																											
	GAS PRESSURE TUBE MBVEF412+UNION	65300649											●																										
	GAS PRESSURE TUBE MBVEF420+UNION	65300669												●																									
3160	ANGLED UNION	13023188										●	●	●																									
3170	UNION G1/8 + GASKET	13023187										●	●	●																									
3200	GASKET SET MB...407	65300575										●																											
	GASKET SET MB...412	65300576											●																										
	GASKET SET MB...420	65300671												●																									
3410	EXTERNAL GAS FILTER RP2	13009700										●	●	●																									
	GAS FILTER ANELLO RP 1	13010092										●																											
3411	FILT. ELEMENT RP2 + GASKET	13010044											●	●																									
	FILTERING ELEMENT RP1"-1 1/2"	13010093										●																											

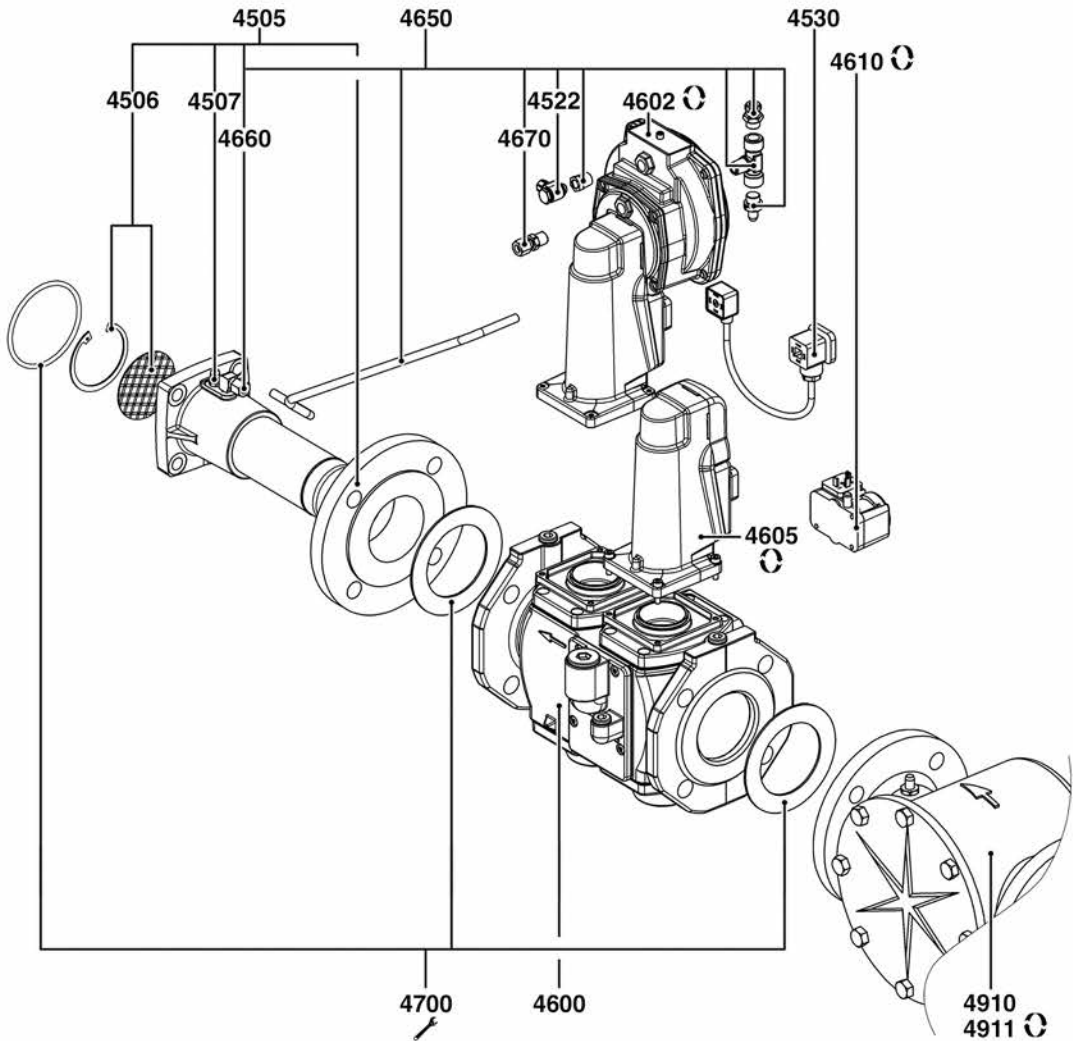
**CB-VG5DP R (50/60Hz)**
**Gas burners**



4000



4500





Description	Manf. Pt. N	Type	<div style="display: flex; justify-content: space-between; font-size: small; margin: 0;"> <span>BB-VG5-90 DP R</span> <span>BB-VG6-90 DP R</span> <span>BB-VG6-1200 DP R</span> <span>BB-VG6-1200 DP R</span> <span>CH-G00933 - 11/KN</span> <span>CH-G00933 - 12/KL</span> <span>CH-G00933 - 13/KM</span> <span>CH-G00934 - 11/KN</span> <span>CH-G00934 - 12/KL</span> <span>GT-8311 - 3/4" - Rp7"</span> <span>GT-8311 - 1/2" - Rp7"</span> <span>GT-8312 - 2" - Rp2"</span> <span>GT-8314 - 65-DN65</span> </div>																		31	
			1	2	3	4	5	6	7	8	9	10	11	12	13	14	15	16	17	18	From	to
<b>4000 GAS TRAIN</b>																						
4005 COMPLETE GAS SUPPLY TUBE RP2	65301024														•							
4006 STABILISER + CIRCLIP D.60	13011367														•							
4007 PRESSURE TAP R1/8	13009722														•							
4022 BANJO UNION LCK-G1/8-PK4	13020682														•							
4030 CONNECTING CABLE SKP	13020958														•							
4040 FLANGE AGA51 RP2	65300871														•							
4100 GAS VALVE VGD20 5011 RP2"	65311581														•							
4102 GAS SERVOM. SKP75.003E2 W/O LIMIT SW.	13020950														•							
4105 GAS SERVOM. SKP15.000E2 W/O LIMIT SW.	13020951														•							
4110 GAS PRESS. SWITCH GW 150 A5 30-150MB DIN	13010078														•							
4150 GAS PR. TUBE VGD20 RP2 NC95/210-VG5/6	65301075														•							
4160 ANGLED UNION	13023188														•							
4170 STRAIGHT UNION	13009721														•							
4200 GASKET KIT VGG,VGF10/VGD20 RP2	13011733														•							
4410 EXTERNAL GAS FILTER RP2	13009700														•							
4411 FILT. ELEMENT RP2 + GASKET	13010044														•							
<b>4500 GAS TRAIN</b>																						
4505 COMPLETE GAS SUPPLY TUBE DN65	65301022															•						
4506 STABILISER + CIRCLIP D.60	13011367														•							
4507 PRESSURE TAP R1/8	13009722														•							
4522 BANJO UNION LCK-G1/8-PK4	13020682														•							
4530 CONNECTING CABLE SKP	13020958														•							
4600 GAS VALVE VGD40 065 DN65	65323661														•							
4602 GAS SERVOM. SKP75.003E2 W/O LIMIT SW.	13020950														•							
4605 GAS SERVOM. SKP15.000E2 W/O LIMIT SW.	13020951														•							
4610 GAS PRESS. SWITCH GW 150 A5 30-150MB DIN	13010078														•							
4650 GAS PR.TUB.EQ. VGD40 DN65 NC95/210-VG5/6	65301025														•							
4660 ANGLED UNION	13023188														•							
4670 STRAIGHT UNION	13009721														•							
4700 GASKET KIT VGD40 DN65	13013781														•							
4910 EXTERNAL GAS FILTER DN65	13009703														•							
4911 GAS FILTERING ELEMENT DN65 WITH GASKET	13009704														•							

		DE	FR	IT	
		NL	ES		
1005	13009640	DICHTBAND LUFTK.BG DICHTING LUCHTKAST	JOINT BOITE A AIR JUNTA CAJA DE AIRE	GUARNIZIONE SCATOLA DELL'ARIA	1
1006	65326224	ANSAUGTRICHTER LUCHTGELEIDER	GUIDE AIR GUIA DE AIRE	GUIDA ARIA	1
1011	65326223	STELLANTRIEBHAUBE KAP SERVOMOTOR	CAPOT SERVOMOTEUR CUBIERTA SERVOMOTOR	COPERCHIO SERVOMOTORE	1
1020	13009641	ISOLIERUNG-LUFTKASTEN ISOLATIE LUCHTKAST	ISOLATION BOITE A AIR AISLAMIENTO CAJA DE AIRE	ISOLAMENTO SCATOLA DELL'ARIA	1
1041	65326229	STELLANTRIEB STE 4,5 B0.37/6-L SERVOMOTOR STE 4,5 B0.37/6-L	SERVOMOTEUR STE 4,5 B0.37/6-L SERVOMOTOR STE 4,5 B0.37/6-L	SERVOMOTORE STE 4,5 B0.37/6-L	1
1051	65326225	KOMPL. LUFTKLAPPE COMPLETE LUCHTKLEP	VOLET D'AIR EQUIPE VÁLVULA DE AIRE EQUIPADA	SERRANDA DELL'ARIA EQUIPAGGIATA	1
1090	13016845	KABELDURCHFÜHRUNG / GEHÄUSE DRAADDOORVOER/BRANDERHUIS	PASSE FIL/CARTER PASACABLES/CÁRTER	PASSAFILO/ CARTER	1
1100	65301016	BRENNERHAUBE VECTRON5 U. V6 KPL. COMPLETE KAP VECTRON5 EN V6	CAPOT VECTRON5 ET V6+VIS CUBIERTA VECTRON5 Y V6 EQUIPADA	COFANO V5 E V6 EQUIPAGGIATO	1
1101	65300519	FLACHKOPF-SCHRAUBE M5X15+SPITZE PLATKOPPSCHROEF M5X15	VIS A TETE PLATE M5X15 TORNILLO DE CABEZA PLANA M5X15	VITE A TESTA PIANA M5X15	1
1102	13009772	DICHTBAND/HAUBE DICHTINGSSTRIP / BRANDERKAP	BANDE D'ETANCHEITE / CAPOT BANDA ESTANQUEIDAD / CUBIERTA	NASTRO SIGILLANTE/ COPERTURA	1
1110	13009648	TUELLE-KABELDURCHFUEHRUNG-VERPACKT DRAADGELEIDER	PASSE FIL PASACABLES	PASSA FILO	1
1120	13020327	SCHAUGLAS CONTROLELAMPJE	VOYANT TESTIGO	SPIA	1
1150	65301017	LUFTLEITSCHAUFEL LUCHTKRINGLOOP	RECYCLAGE AIR RECICLAJE DE AIRE	CONVOGLIATORE ARIA	1
1160	13015497	SCHLAUCH ID4/7X500 SILIKON TRANSPARENT SLANG D.4/7 LG. 500 MM	TUYAU D.4/7 LG. 500 MM MANGUERA D.4/7 LG. 500 MM	TUBO D.4/7 LG. 500 MM	1
1170	13009645	LUFTLEITSCHAUFEL/SCHWARZ TERUGWINNING LUCHT (ZWART)	RECYCLAGE AIR (NOIR) RECICLADO AIRE (NEGRO)	RICIRCOLO DELL'ARIA (NERO)	1
1180	13009651	DIFFERENTIALDRUCKNIPPEL WEISS AANSLUITING DRUKVERSCHIL (WIT)	PRISE DE PRESS. DIFFERENTIELLE (BLANC) TOMA PRES. DIFERENCIAL (BLANCO)	PRESA PRESSIONE DIFFERENZIALE (BIANCO)	1
1190	13009649	VENTILATORRAD D240X82 d19 VENTILATORRAD D240X82 d19	TURBINE D240X82 d19 TURBINA D240X82 d19	VENTOLA D240X82 d19	1
	65300542	VENTILATORRAD D215X82 d19 VENTILATORRAD D215X82 d19	TURBINE D215X82 d19 TURBINA D215X82 d19	VENTOLA D215X82 d19	1
1200	13020723	HALTER D32 LUFTDRUCKWAECHTER HUBA STEUN MANOSTAAT HUBA D32	SUPPORT MANOSTAT AIR D32 SOPORTE DEL MANOSTATO DE AIRE D32	SUPPORTO PRESSOSTATO DELL'ARIA D32	1
1210	65300991	LUFTDRUCKWAECHTER HUBA 604 1-10MBAR LUCHTDRIKBEWAKER HUBA 604 1-10MBAR	MANOSTAT HUBA 604 1-10MBAR PRESSOSTATO AIRE HUBA 604 1-10MBAR	MANOSTATO HUBA 604 1-10MBAR	1
	65301048	LUFTDRUCKWAECHTER HUBA 604 5-20MBAR LUCHTDRIKBEWAKER HUBA 604 5-20MBAR	MANOSTAT HUBA 604 5-20MBAR PRESSOSTATO AIRE HUBA 604 5-20MBAR	MANOSTATO ARIA HUBA 604 5-20MBAR	1
1220	13009654	MOTOR 1,5KW 230/400V D19+STECKER MOTOR 1,5KW 230/400V D19 + STEKKER	MOTEUR 1,5KW 230/400V D19+PRISE MOTOR 1,5KW 230/400V D19+TOMA	MOTORE 1,5KW 230/400V D19+PRESA	1
1510	13009663	ZUENDTRAF0 EBI 2X7,5 230V ONTSTEKINGSTRAFO EBI 2X7,5 230V	ALLUMEUR EBI 2X7,5 230V ENCENDEDOR EBI 2X7,5 230V	TRASFORMATORE ACCENSIONE EBI 2X7,5 230V	1
1520	13016457	SICHERUNGSHALTER+ SICHERUNG 6,3A ZEKERINGHOUDER+ZEKERING 6,3A	PORTE FUSIBLE+FUSIBLE 6.3A PORTA FUSIBLE+FUSIBLE 6.3A	PORTAFUSIBILE + FUSIBILE 6.3A	1
1525	13016028	SICHERUNG 6,3A TRAEGE D5X20 ZEKERING 5X20 6.3A	FUSIBLE 5X20 6.3A (CALIBRE) FUSIBLE 5X20 6.3A	FUSIBILE 5X20 6.3A	1
1530	13010007	SCHALTER EIN-AUS/VERPACKT SCHAKELAAR ON/OFF	INTERRUPTEUR MARCHE/ARRET INTERRUPTOR	INTERRUTTORE ON/OFF	1
1540	13014009	BETRIEBSSCHALTER SCHAKELAAR - BEDRIFJ	INTERRUPTEUR - FONCTIONNEMENT INTERRUPTOR	INTERRUTTORE - FUNZIONAMENTO	1
1550	65301109	ANZEIGE FUR AUTOMAT. TCG-TCH REL.2.2 DISPLAY V. BRANDERAUTOM.TCG-TCH REL.2.2	AFFICHEUR POUR COFFRET TCG-TCH REL. 2.2 PANTALLA P. PROGRAMAD. TCG-TCH REL.2.2	DISPLAY PER APPARECCHIA.TCG-TCH REL.2.2	1
1560	65300992	BEDIENFELD KUNSTSTOFF PLASTIC BEDIENINGSPANEEL	PUPIRE DE COMMANDE PLASTIQUE PUPIRE DE MANDO PLÁSTICO	QUADRO DI COMANDO PLASTICO	1
1570	65300993	KABELTUELLE DRAADDOORVOER D54/D47/D36	PASSE FIL D54/D47/D36 PASACABLE D54/D47/D36	PASSA FILO D54/D47/D36	1
1580	13009661	ABDECKUNG/SCHNITTSTELLE AFSLUITER / BEDIENINGSPANEEL	OBTURATEUR / PUPITRE OBTURADOR / TABLERO	OTTURATORE / QUADRO	1
1600	65301019	KABEL+STECKER F.GASDRUCKW.MIN. KABEL + STEKKER GASDRUKBEWAKER	CABLE + CONNECT. / MANOSTAT GAZ CABLE + TOMA / PRESSOSTATO GAS	CAVO + CONNETT. / MANOSTATO GAS	1
1610	65301020	KABEL+STECKER F.GASVENTIL AGP KABEL + STEKKER GASKLEP	CABLE + CONNECT. / VANNE GAZ CABLE+ TOMA/VALVULA GAS	CAVO + CONNETT. / VALVOLA GAS	1
1620	65300997	KABEL+STECKER / ZUENDTRAF0 KABEL + STEKKER / ONTSTEKER	CABLE ALLUMEUR CABLE+TOMA/ENCENDEDOR	CAVO TRASFORMATORE ACCENS.	1
1630	65300158	IONISATIONS KABEL L350 BU-RAST5/ST D4 KABEL IONISATIE+STEKK.	CABLE IONISATION+PRISE CABLE Sonda IONIZACIÓN+TOMA	CAVO IONIZZAZIONE+CONETT.	1
1650	65301000	KABEL L560+STECKER 4P/MOTOR KABEL L560+STEKKER 4P/MOTOR	CABLE L560+PRISE 4P/MOTEUR CABLE L560+TOMA 4P/MOTOR	CAVO LUNGH. 560MM + PRESA 4 POLI/MOTORE	1

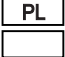
		DE	FR	IT	
		NL	ES		
1700	65301021	FEUERUNGSAUTOMAT TCG 511.00 BRANDERAUTOMAAT TCG 511.00	COFFRET TCG 511.00 PROGRAMADOR TCG 511.00	APPARECCHIATURA TCG 511.00 (R2.2)	1
1800	13009778	SCHUETZ LC1 K09 10M7 SCHNEIDER SCHAKELAAR	CONTACTEUR CONTACTOR	CONTATTORE	1
1810	13020693	UEBERSTROMRELAIS/SCHUETZ THERMISCH RELAIS	RELAIS THERMIQUE RELÉ TÉRMICO	RELE TERMICO	1
2020	13009612	STAUISCHEIBE D125/40 9SL R 6DRIL. STUWPLAAT D125/40 9SL R 6DRIL.	DEFLECTEUR D125/40 9SL R 6DRIL. DEFLECTOR D125/40 9SL R 6DRIL.	DIFFUSORE D125/40 9SL R 6DRIL.	1
	65326674	STAUISCHEIBE D115/40X13,5 9SL. 6DRIL STUWPLAAT D115/40X13,5 9SL. 6DRIL	DEFLECTEUR D115/40X13,5 9SL. 6DRIL DEFLECTOR D115/40X13,5 9SL. 6DRIL	DIFFUSORE D115/40X13,5 9SL. 6DRIL	1
2040	13009726	ZUENDELEKTROD.27X55 d6,4D2X23 45° +SCHR. ELEKTRODENBLOK 27X55 d6,4D2X23 45°+SCHR.	BLOC-ELECTRODES 27X55 d6,4D2X23 45° +VIS BLOQ.ELECTRO.27X55 d6,4D2X23 45°+TORNIL.	BLOC.ELETTRODI 27X55 d6,4D2X23 45° +VITE	1
2048	13010054	KLEMMFEDER-IONISATIONSSTAB BEVESTIGINGSPLAAT IONISATIESONDE	BRIDE/SONDE IONISATION PLAQUETA FIJ. SONDA IONI.	PLACCHETTA FISSAGGIO SONDA IONI.	1
2070	13009623	ZUENDKABEL D4-D6,35X850 ONTSTEKINGSKABEL D4-D6,35X850	CABLE ALLUMAGE D4-D6,35X850 CABLE ENCENDIDO D4-D6,35X850	CAVO ACCENSIONE D4-D6,35X850	1
	13009624	ZUENDKABEL L1050MM ONTSTEKINGSKABEL L1050MM	CABLE ALLUMAGE L1050MM CABLE ENCENDIDO SIL. L1050MM	CAVO ACCENSIONE L1050MM	1
2075	13009625	TUELLE ZUEND-/IONISATIONSKABEL-VERPACKT RUBBEREN DOP/KABEL ALLU	CAPUCHON CAOUTCHOUC/CABLE ALLU CAPUCHÓN DE CAUCHO/CABLE ENCENDIDO	CAPPUCCIO IN GOMMA/CAVO ACCENSIONE	1
2090	13009626	IONISATIONSSONDE D8X120 d6,4 D4X36 IONISATIEPEN D8X120 d6,4 D4X36	SONDE IONISATION D8X120 d6,4 D4X36 SONDA IONIZACION D8X120 d6,4 D4X36	SONDA RIVELAZIONE D8X120 d6,4 D4X36	1
2095	13009627	IONISATIONS KABEL L 780 IONISATIEKABEL SIL.F.MC4-D6,35X750	CABLE IONISATION SIL.F.MC4-D6,35X750 CABLE IONIZACION SIL.F.MC4-D6,35X750	CAVO RIVELAZIONE SIL.F.MC4-D6,35X750	1
	13009628	IONISATIONS KABEL L1000 BU D6.3 / ST D4 IONISATIEKABEL SIL.F.MC4-D6,35X1050	CABLE IONISATION SIL.F.MC4-D6,35X1050 CABLE IONIZACION SIL.F.MC4-D6,35X1050	CAVO RIVELAZIONE SIL.F.MC4-D6,35X1050	1
2100	13010064	STERNGASKOPF KPL. VG5R/NC95/120G KN/T1 GASLIJN CPL. VG5R/NC95/120G KN/T1	LIGNE GAZ EQ. VG5R/NC95/120G KN/T1 LINEA DE GAS EQ. VG5R/NC95/120G KN/T1	LINEA GAS CPL. VG5R/NC95/120G KN/T1	1
	13010065	STERNGASKOPF KPL. VG5R/NC95/120G KL/T2 GASLIJN CPL. VG5R/NC95/120G KL/T2	LIGNE GAZ EQ. VG5R/NC95/120G KL/T2 LINEA DE GAS EQ. VG5R/NC95/120G KL/T2	LINEA GAS CPL. VG5R/NC95/120G KL/T2	1
	13010066	STERNGASKOPF KPL. VG5R/NC95/120G KM/T3 GASLIJN CPL. VG5R/NC95/120G KM/T3	LIGNE GAZ EQ. VG5R/NC95/120G KM/T3 LINEA DE GAS EQ. VG5R/NC95/120G KM/T3	LINEA GAS CPL. VG5R/NC95/120G KM/T3	1
2110	13009635	REGULIERSTANGE L344 INTELSTIFT LG.344	TIGE DE REGLAGE LG.344 VARILLA AJUSTE LG.344	ASTINA DI REGOLAZIONE LUNG.344	1
	13009636	REGULIERSTANGE L564 INTELSTIFT LG.564	TIGE DE REGLAGE LG.564 VARILLA AJUSTE LG.564	ASTINA DI REGOLAZIONE LUNG.564	1
	13009637	REGULIERSTANGE L454 INTELSTIFT LG.454	TIGE DE REGLAGE LG.454 VARILLA AJUSTE LG.454	ASTINA DI REGOLAZIONE LUNG.454	1
2115	13009638	REGULIERSTANGE-VERLAENGERUNG BG-VERPACKT VERLENGSTUK INTELSTIFT	RALLONGE TIGE DE REGLAGE ALARGUE VARILLA AJUSTE	PROLUNGA ASTINA DI REGOLAZIONE	1
2120	13009632	GASBOGEN+ROHR LG.173 ELLEBOOG GAS LG.173	COUDE GAZ LG.173 CODO GAS LG.173	GOMITO GAS LG.173	1
	13009633	GASBOGEN+ROHR LG.393 ELLEBOOG GAS LG.393	COUDE GAZ LG.393 CODO GAS LG.393	GOMITO GAS LG.393	1
	13009634	GASBOGEN+ROHR LG.283 ELLEBOOG GAS LG.283	COUDE GAZ LG.283 CODO GAS LG.283	GOMITO GAS LG.283	1
2125	13009631	O-RING D55X4 LANZENGASKOPF O-RING D.55X4	O'RING D.55X4 JUNTA TÓRICA D.55X4	O'RING D.55X4	1
2140	13011601	BRENNERROHR D141/125/170 L305 BRANDERBUIS D141/125/170 L305	TUBE DE FLAMME D141/125/170 L305 TUBO DE LLAMA D141/125/170 L305	BOCCAGLIO D141/125/170 L305	1
	13011602	BRENNERROHR D141/125/170 L525 BRANDERBUIS D141/125/170 L525	TUBE DE FLAMME D141/125/170 L525 TUBO DE LLAMA D141/125/170 L525	BOCCAGLIO D141/125/170 L525	1
	13011603	BRENNERROHR D141/125/170 L415 BRANDERBUIS D141/125/170 L415	TUBE DE FLAMME D141/125/170 L415 TUBO DE LLAMA D141/125/170 L415	BOCCAGLIO D141/125/170 L415	1
	65326667	BRENNERROHR D170,8/141 L305 BRANDERBUIS D170,8/141 L305	TUBE DE FLAMME D170,8/141 L305 TUBO DE LLAMA D170,8/141 L305	BOCCAGLIO D170,8/141 L305	1
	65326668	BRENNERROHR D170,8/141 L525 BRANDERBUIS D170,8/141 L525	TUBE DE FLAMME D170,8/141 L525 TUBO DE LLAMA D170,8/141 L525	BOCCAGLIO D170,8/141 L525	1
	65326669	BRENNERROHR D170,8/141 L415 BRANDERBUIS D170,8/141 L415	TUBE DE FLAMME D170,8/141 L415 TUBO DE LLAMA D170,8/141 L415	BOCCAGLIO D170,8/141 L415	1
2150	13009619	ISOLIERFLANSCH 228X220X10-VERPACKT DICHTING KLINGERIT 228X220X10	JOINT/FAÇADE CHAUDIERE 228X220X10 JUNTA/FRENTE CALDERA 228X220X10	GUARN./LATO FRONTALE CALDAIA 228X220X10	1
2170	13007804	SCHRAUBEN-SET M6X1 LINKSGEWINDE/VPE 3STK M6-BEV.SCHROEF (NIET LINKS) BRANDERPIJP	VIS M6 (PAS GAUCHE)FIX. TUBE BRULEUR TORN. M6 (R.IZQ.)FIJ. TUBO QUEMADOR	VITE M6 (PASSO SX) FISS. TUBO BRUCIATORE	1
2711	13007041	SCHRAUBEN-SET F-GAS ACCESSOIREKIT PROPAAAN	ACCESS. KIT PROPANE ACCES. KIT PROPANO	ACCESS. KIT PROPANO	1
	13010062	SCHRAUBE M5X6+BOHRUNG D2 SET SCHROEVEN AARDGAS	ACCESS. KIT GAZ NATUREL KIT TORNILLOS GAS NATURAL	SET VITI GAS NATURALE	1
2712	13010061	VERSCHLUSS/DÜSE AFSLUITER/VERDELER	OBTURATEUR/DIFFUSEUR GAZ OBTURADOR/DIFUSOR	OTTURATORE/DIFFUSORE	1
2714	13010063	GASDUESEN (X6) GAS NOZZLES (X6)	DIFFUSEURS GAZ (X6) DIFUSORES GAS (X6)	INIETTORI GAS (X6)	1

		DE	FR	IT	X
		NL	ES		
2785	13009630	GASKOPFAUFSATZ STERGASKOP	ETOILE GAZ ESTRELLA GAS	TESTA GAS	1
3005	13011796	GASANSCHLUSSROHR KPL.R2Z MB420 FLENS/COLLECTOR VOLL. RP2	BRIDE/COLLECTEUR CPL. RP2 BRIDA/COLLECTOR CPL. RP2	FLANGIA/COLLETTORE ACC. RP2	1
	13014011	GASANSCHLUSSROHR MB 407 3/4Z COLLECTOR VOLL. RP3/4	COLLECTEUR CPL. RP3/4 COLECTOR CPL. RP3/4	COLLETTORE ACC. RP3/4	1
	13014012	GASANSCHLUSSROHR KPL. R1 1/4Z COLLECTOR VOLL. RP 1"1/4	COLLECTEUR CPL. RP 1"1/4 COLECTOR CPL. RP 1"1/4	COLLETTORE ACC. RP 1"1/4	1
3006	13011367	SICHERUNGSRING U.STABILISATOR D60 STABILISATOR+ BORGVEREN D.60	STABILISATEUR+ CIRCLIPS D.60 ESTABILIZADOR+ ANILLO DE RETÉN D.60	STABILIZZATORE+ANELLI ELASTICI D.60	1
3007	13009722	MESSNIPPEL GERADE R1/8Z-VERPACKT DRUKAANSLUITING R1/8	PRISE PRESSION R1/8 TOMA PRESIÓN R1/8	PRESA PRESSIONE R1/8	1
3022	13020682	SCHWENKVERSCHRAUBUNG LCK-G1/8-PK4 "BANJO" AANSLUITING LCK-G1/8-PK4	RACCORD BANJO LCK-G1/8-PK4 RACOR TIPO "BANJO" LCK-G1/8-PK4	RACCORDO "BANJO" LCK-G1/8-PK4	1
3040	13007859	FLANSCH MB420 RP2 W.PRES.PLUG FLENS MB420 RP2 W.PRES.PLUG	BRIDE MB420 RP2 W.PRES.PLUG BRIDA MB420 RP2 W.PRES.PLUG	FLANGIA MB420 RP2 W.PRES.PLUG	1
	13010074	FLANSCH MB405/407 RP3/4 +O-RING FLENS MB405/407 RP3/4 +O-RING	BRIDE MB405/407 RP3/4 +O-RING BRIDA MB405/407 RP3/4 +O-RING	FLANGIA MB405/407 RP3/4 +O-RING	1
	13010085	FLANSCH MB410/412 RP1 1/4 FLENS MB410/412 RP1 1/4	BRIDE MB410/412 RP1 1/4 BRIDA MB410/412 RP1 1/4	FLANGIA MB410/412 RP1 1/4	1
3100	13011113	GASVENTIL MBVEF407 B01 S30 RP3/4"PL=1,2 GASKLEP MBVEF407 B01 S30 RP3/4"PL=1,2	VANNE GAZ MBVEF407 B01 S30 RP3/4"PL=1,2 VÁLV. GAS MBVEF407 B01 S30 RP3/4"PL=1,2	VALV. GAS MBVEF407 B01 S30 RP3/4"PL=1,2	1
	13011720	GASVENTIL MBVEF412 B01 S30 PL=0,3-PF=1,2 GASKLEP MBVEF412 B01 S30 PL=0,3-PF=1,2	VANNE GAZ MBVEF412 B01 S30 PL=0,3-PF=1,2 VÁLV. GAS MBVEF412 B01 S30 PL=0,3-PF=1,2	VALV. GAS MBVEF412 B01 S30 PL=0,3-PF=1,2	1
	13011725	GASVENTIL MBVEF420 B01 S10 RP2"+FP GASKLEP MBVEF420 B01 S10 RP2"+FP	VANNE GAZ MBVEF420 B01 S10 RP2"+FP VÁLV. GAS MBVEF420 B01 S10 RP2"+FP	VALVOLA GAS MBVEF420 B01 S10 RP2"+FP	1
3110	13010078	GASDRUCKWÄCHTER GW 150 A5 30-150MB DIN GASDRUKREGELAAR GW 150 A5 30-150MB DIN	MANOSTAT GAZ GW 150 A5 30-150MB DIN MANOSTATO GAS GW 150 A5 30-150MB DIN	PRESSOSTATO GAS GW 150 A5 30-150MB DIN	1
3120	13010083	SPULE DUN N° 1105 MBVEF407 SPOEL DUN NR. 1105 MBVEF407	BOBINE DUN N° 1105 MBVEF407 BOBINA DUN N° 1105 MBVEF407	BOBINA DUN N° 1105 MBVEF407	1
	13010084	SPULE DUN N° 1205 MBVEF412 SPOEL DUN NR. 1205 MBVEF412	BOBINE DUN N° 1205 MBVEF412 BOBINA DUN N° 1205 MBVEF412	BOBINA DUN N° 1205 MBVEF412	1
	13011726	SPULE DUN N° 1215 MBVEF420 SPOEL DUN NR. 1215 MBVEF420	BOBINE DUN N° 1215 MBVEF420 BOBINA DUN N° 1215 MBVEF420	BOBINA DUN N° 1215 MBVEF420	1
3140	13007901	FILTEREINSATZ/TASCHENF.MB... 420 FILTERELEMENT /MB...420	ELEMENT FILTRANT /MB...420 ELEMENTO FILTRANTE /MB...420	ELEMENTO FILTRANTE /MB...420	1
	13016011	FILTER 73X50 ZU MB 405/407 DUNGS ZEEFFILTER /MB...405/407	FILTRE TAMIS /MB...405/407 FILTRO TAMIZ /MB...405/407	SET FILTRI /MB...405/407	1
	13016012	FILTEREINSATZ MB410/412 96x65 DUNGS FILTERELEMENT /MB...410/412	ELEMENT FILTRANT /MB...410/412 ELEMENTO FILTRANTE /MB...410/412	ELEMENTO FILTRANTE /MB...410/412	1
3150	13022464	DRUCKABNAHMEROHRE MBVEF407 GASDRUKBUIS MBVEF407+AANSLUITING	TUBE PRESSION GAZ MBVEF407+RACCORD TUBO DE PRESIÓN GAS MBVEF 407+EMPALME	TUBO DELLA PRESSIONE GAS MBVEF407	1
	65300649	DRUCKABNAHMEROHRE MBVEF412 GASDRUKBUIS MBVEF412+AANSLUITING	TUBE PRESSION GAZ MBVEF412+RACCORD TUBO DE PRESIÓN GAS MBVEF412+EMPALME	TUBO DELLA PRESSIONE GAS MBVEF412	1
	65300669	DRUCKABNAHMEROHRE MBVEF420 GASDRUKBUIS MBVEF420+AANSLUITING	TUBE PRESSION GAZ MBVEF420+RACCORD TUBO DE PRESIÓN GAS MBVEF420+EMPALME	TUBO DELLA PRESSIONE GAS MBVEF420	1
3160	13023188	WINKELVERSCHRAUBUNG GEBOGEN AANSLUITING	RACCORD COUDE RACOR ACODADO	RACCORDO A GOMITO	1
3170	13023187	VERSCHRAUBUNG 1/8Z D8 MB 407/412/420 AANSLUITING G1/8 + AFDICHTING	RACCORD G1/8+JOINT RACOR G1/8 + JUNTA	RACCORDO G1/8 + GUARNIZIONE	1
3200	65300575	O-RING-SET MB 407 PAKKINGSET MB...407	KIT JOINTS MB...407 KIT DE JUNTAS MB...407	KIT GUARNIZIONI MB...407	1
	65300576	O-RING-SET MB 412 PAKKINGSET MB...412	KIT JOINTS MB...412 KIT DE JUNTAS MB...412	KIT GUARNIZIONI MB...412	1
	65300671	O-RING-SET MB420 DICHTINGSKIT MB...420	KIT JOINTS MB...420 KIT JUNTAS MB...420	KIT GUARNIZIONI...420	1
3410	13009700	EXTERNER GASFILTER RP2 FILTER GAS EXTERN RP2	FILTRE GAZ EXTERNE RP2 FILTRO GAS EXTERNO RP2	FILTRO GAS ESTERNO RP2	1
	13010092	GASFILTER R1Z GASFILTER RP1	FILTRE GAZ RP 1 FILTRO PARA GAS EXTERIOR RP1	FILTRO GAS RP1	1
3411	13010044	GASFILTER-EINSATZ+O-RING F.ANELLO R2Z FILTERELEMENT RP2+DICHTING	ELEMENT FILT. RP2+JOINT ELEMENTO FILT. RP2+JUNTA	ELEMENTO FILT. RP2+GUARNIZIONE	1
	13010093	GASFILTEREINSATZ+ O-RING R1Z FILTERELEMENT RP1"-1 1/2"	ELEMENT FILTRANT RP1"-1 1/2" ELEMENTO FILTRANTE RP1"-1 1/2"	ELEMENTO FILTRANTE RP1"-1 1/2"	1
4005	65301024	GASANSCHLUSSROHR-BG R2Z GASAANSLUITBUIS CPL. RP2	COLLECTEUR COMPLET RP2 COLECTOR GAS CPL RP2	COLLETTORE RP2	1
4006	13011367	SICHERUNGSRING U.STABILISATOR D60 STABILISATOR+ BORGVEREN D.60	STABILISATEUR+ CIRCLIPS D.60 ESTABILIZADOR+ ANILLO DE RETÉN D.60	STABILIZZATORE+ANELLI ELASTICI D.60	1
4007	13009722	MESSNIPPEL GERADE R1/8Z-VERPACKT DRUKAANSLUITING R1/8	PRISE PRESSION R1/8 TOMA PRESIÓN R1/8	PRESA PRESSIONE R1/8	1
4022	13020682	SCHWENKVERSCHRAUBUNG LCK-G1/8-PK4 "BANJO" AANSLUITING LCK-G1/8-PK4	RACCORD BANJO LCK-G1/8-PK4 RACOR TIPO "BANJO" LCK-G1/8-PK4	RACCORDO "BANJO" LCK-G1/8-PK4	1

☰	XXXXXXXX	DE	FR	IT	X
		NL	ES		
4030	13020958	VERBINDUNGSKABEL SKP15/SKP75 VERBINDUNGSKABEL SKP	CABLE DE LIAISON SKP CABLE DE CONEXIÓN SKP	CAVO DI COLLEGAMENTO SKP	1
4040	65300871	FLANSCH AGA51 RP2 FLENS AGA51 RP2	BRIDE AGA51 RP2 BRIDA AGA51 RP2	FLANGIA AGA51 RP2	1
4100	65311581	GAS-MV VGD 20.5011 R2Z X 265 MM GASKLEP VGD20 5011 RP2"	VANNE GAZ VGD20 5011 RP2" VALVULA GAS VGD20 5011 RP2"	VALVOLA GAS VGD20 5011 RP2"	1
4102	13020950	SERVOMOT. GAS SKP75.003E2 O.ENDSCHALTER SERVOMOTOR SKP 75 003E2, ZONDER EINDSCH.	SERVOMOT. GAZ SKP75.003E2 S.FIN COURSE SERVOMOT. GAS SKP75.003E2 S.TOPE	SERVOMOT. GAS SKP75.003E2 S.FINECORSIA	1
4105	13020951	STELLANTRIEB SKP 15.000E2 O.ENDSCHALTER SERVOMOT. GAS SKP15.000E2 Z.EINDSCHAK.	SERVOMOT. GAZ SKP15.000E2 S.FIN COURSE SERVOMOT. GAS SKP15.000E2 S.TOPE	SERVOMOT. GAS SKP15.000E2 S.FINECORSIA	1
4110	13010078	GASDRUCKWÄCHTER GW 150 A5 30-150MB DIN GASDRUKREGELAAR GW 150 A5 30-150MB DIN	MANOSTAT GAZ GW 150 A5 30-150MB DIN MANOSTATO GAS GW 150 A5 30-150MB DIN	PRESSOSTATO GAS GW 150 A5 30-150MB DIN	1
4150	65301075	GASDRUCKROHR VGD20 RP2 NC95/210-VG5/6 GASDRUKBUIS VGD20 RP2 NC95/210-VG5/6	TUBE PRES.GAZ VGD20 RP2 NC95/210-VG5/6 TUBO PR. GAS VGD20 RP2 NC95/210-VG5/6	TUBO PRES.GAS VGD20 RP2 NC95/210-VG5/6	1
4160	13023188	WINKELVERSCHRAUBUNG GEBOGEN AANSLUITING	RACCORD COUDE RACOR ACODADO	RACCORDO A GOMITO	1
4170	13009721	VERSCHRAUBUNG PF + PL VERBINDUNG RECHT	RACCORD DROIT EMPALME RECTO	RACCORDO DESTRO	1
4200	13011733	O-RING-SET D66,35X2.62 NBR 70.5 DICHTINGSKIT VGG,VGF10/VGD20 RP2	KIT JOINTS VGG,VGF10/VGD20 RP2 KIT JUNTAS VGG,VGF10/VGD20 RP2	KIT GUARNIZIONI VGG,VGF10/VGD20 RP2	1
4410	13009700	EXTERNER GASFILTER RP2 FILTER GAS EXTERN RP2	FILTRE GAZ EXTERNE RP2 FILTRO GAS EXTERNO RP2	FILTRO GAS ESTERNO RP2	1
4411	13010044	GASFILTER-EINSATZ+O-RING F.ANELLO R2Z FILTERELEMENT RP2+DICHTING	ELEMENT FILT. RP2+JOINT ELEMENTO FILT. RP2+JUNTA	ELEMENTO FILT. RP2+GUARNIZIONE	1
4505	65301022	GASANSCHLUSSROHR-BG DN65 GASAANSLUITBUIS CPL. DN65	COLLECTEUR COMPLET DN65 COLECTOR GAS CPL DN65	COLLETTORE DN65	1
4506	13011367	SICHERUNGSRING U.STABILISATOR D60 STABILISATOR+ BORGVEREN D.60	STABILISATEUR+ CIRCLIPS D.60 ESTABILIZADOR+ ANILLO DE RETÉN D.60	STABILIZZATORE+ANELLI ELASTICI D.60	1
4507	13009722	MESSNIPPEL GERADE R1/8Z-VERPACKT DRUKAANSLUITING R1/8	PRISE PRESSION R1/8 TOMA PRESIÓN R1/8	PRESA PRESSIONE R1/8	1
4522	13020682	SCHWENKVERSCHRAUBUNG LCK-G1/8-PK4 "BANJO" AANSLUITING LCK-G1/8-PK4	RACCORD BANJO LCK-G1/8-PK4 RACOR TIPO "BANJO" LCK-G1/8-PK4	RACCORDO "BANJO" LCK-G1/8-PK4	1
4530	13020958	VERBINDUNGSKABEL SKP15/SKP75 VERBINDUNGSKABEL SKP	CABLE DE LIAISON SKP CABLE DE CONEXIÓN SKP	CAVO DI COLLEGAMENTO SKP	1
4600	65323661	GAS-MV VGD 40.065 GASKLEP VGD40 065 DN65	VANNE GAZ VGD40 065 DN65 VALVULA GAS VGD40 065 DN65	VALVOLA GAS VGD40 065 DN65	1
4602	13020950	SERVOMOT. GAS SKP75.003E2 O.ENDSCHALTER SERVOMOTOR SKP 75 003E2, ZONDER EINDSCH.	SERVOMOT. GAZ SKP75.003E2 S.FIN COURSE SERVOMOT. GAS SKP75.003E2 S.TOPE	SERVOMOT. GAS SKP75.003E2 S.FINECORSIA	1
4605	13020951	STELLANTRIEB SKP 15.000E2 O.ENDSCHALTER SERVOMOT. GAS SKP15.000E2 Z.EINDSCHAK.	SERVOMOT. GAZ SKP15.000E2 S.FIN COURSE SERVOMOT. GAS SKP15.000E2 S.TOPE	SERVOMOT. GAS SKP15.000E2 S.FINECORSIA	1
4610	13010078	GASDRUCKWÄCHTER GW 150 A5 30-150MB DIN GASDRUKREGELAAR GW 150 A5 30-150MB DIN	MANOSTAT GAZ GW 150 A5 30-150MB DIN MANOSTATO GAS GW 150 A5 30-150MB DIN	PRESSOSTATO GAS GW 150 A5 30-150MB DIN	1
4650	65301025	GASDRUCKROHR VGD40 DN65 NC95/210-VG5/6 GASDRUKBUIS VGD40 DN65 NC95/210-VG5/6	TUBE PR.GAZ EQ.VGD40 DN65 NC95/210-VG5/6 TUBO PR. GAS VGD40 DN65 NC95/210-VG5/6	TUBO PR.GAS CPL.VGD40DN65 NC95/210-VG5/6	1
4660	13023188	WINKELVERSCHRAUBUNG GEBOGEN AANSLUITING	RACCORD COUDE RACOR ACODADO	RACCORDO A GOMITO	1
4670	13009721	VERSCHRAUBUNG PF + PL VERBINDUNG RECHT	RACCORD DROIT EMPALME RECTO	RACCORDO DESTRO	1
4700	13013781	DICHTUNGSSET VGD40 DN66 DICHTINGSKIT VGD40 DN65	KIT JOINTS VGD40 DN65 KIT JUNTAS VGD40 DN65	KIT GUARNIZIONI VGD40 DN65	1
4910	13009703	GASFILTER ANELLO DN65/VERPACKT FILTER GAS EXTERN DN65	FILTRE GAZ EXTERNE DN65 FILTRO GAS EXTERNO DN65	FILTRO GAS ESTERNO DN65	1
4911	13009704	GASFILTER-EINSATZ+O-RING F.ANELLO DN65 FILTERELEMENT GAS DN65 MET DICHTING	ELEMENT FILTRANT GAZ DN65 AVEC JOINT ELEMENTO FILTRANTE GAS DN65 CON JUNTA	ELEMENTO FILTRANTE GAS DN65 CON GUARNIZ.	1



					
1005	13009640	УПЛОТНЕНИЕ ВОЗДУХОЗАБОРНИКА HAVA KUTUSU CONTASI	JUNTA CAIXA DE AR	USZCZELKA SKRZYNKI POWIETRZA	1
1006	65326224	ВОЗДУШНЫЙ КОЖУХ HAVA KILAVUZU	GUIA AR	PRZEWODNIK POWIETRZA	1
1011	65326223	ЧЕХОЛ СЕРВОДВИГАТЕЛЬ SERVO MOTOR KAPAĞI	COBERTURA DO SERVOMOTOR	POKRYWA SERWOMOTOR	1
1020	13009641	ИЗОЛЯЦИЯ ВОЗДУХОЗАБОРНИКА HAVA KUTUSU YALITIMI	ISOLAMENTO CAIXA DE ENTRADA DE AR	USZCZELKA SKRZYNKI POWIETRZA	1
1041	65326229	СЕРВОДВИГАТЕЛЬ STE 4,5 B0.37/6-L SERVOMOTOR STE 4,5 B0.37/6-L	SERVOMOTOR STE 4,5 B0.37/6-L	SERVOMOTOR STE 4,5 B0.37/6-L	1
1051	65326225	ВОЗДУШНАЯ ЗАСЛОНКА В СБОРЕ DONANIMLI HAVA KLAPEŞI	FLAP DE AR EQUIP.	PRZEPUSTNICA POWIETRZA Z OSPRZĘTEM	1
1090	13016845	МУФТА ПРОПУСКА ПРОВОДА/КАРТЕР KABLO KANALI/KARTER	PASSA-CABOS/CAIXA	PRZELOTKA PRZEWODU/OBUDOWA	1
1100	65301016	ЧЕХОЛ VECTRON5+ V6 +ВИНТ КРЕПЛЕНИЯ DONANIMLI MUHAFAZA KAPAĞI VECTRON5 / V6	EXTRATOR VECTRON5 E V6+PARAFUSO FIXAÇÃO	POKRYWA VECTRON5 I V6 Z OSPRZĘTEM	1
1101	65300519	ВИНТ С ПЛОСКОЙ ГОЛОВКОЙ M5X15 DÜZ BAŞLI VIDA M5X15	PARAFUSO CABEÇA PLANA M5X15	ŚRUBA Z ŁBEM NITOWYM PŁASKIM M5X15	1
1102	13009772	УПЛОТНИТЕЛЬНАЯ ЛЕНТА/КОЖУХ YALITIM BANDI / GÖVDE KAPLAMA	BANDA DE VEDAÇÃO EXAUSTOR	TAŚMA USZCZELNIAJĄCA/POKRYWA	1
1110	13009648	ПРОХОДНАЯ ВТУЛКА ДЛЯ ПРОВОДА KABLO GEÇİRİCİ	PASSA-CABOS	PRZELOT KABLI	1
1120	13020327	СИГНАЛЬНАЯ ЛАМПА İKAZ LAMBASI	LUZ INDICADORA	WZIERNIK	1
1150	65301017	РЕЦИРКУЛЯТОР ВОЗДУХА HAVA GERİ DOENÜŞÜMÜ	RECICLAGEM DE AR	RECYRKULACJA POWIETRZA	1
1160	13015497	ТРУБА Д. 4/7 LG. 500 MM BORU D.4/7 LG. 500 MM	MANGUEIRA D.4/7 C. 500 MM	PRZEWÓD D.4/7 LG. 500 MM	1
1170	13009645	УСТРОЙСТВО РЕЦИРКУЛЯЦИИ ВОЗДУХА(ЧЕРНОЕ) HAVA GERİ DÖNÜŞÜMÜ (SİYAH)	RECICLAGEM DE AR (PRETO)	ODZYSKIWANIE POWIETRZA (CZARNY)	1
1180	13009651	ОТБОР ВОЗД. ДАВЛЕНИЯ, ПЕРЕПАД (БЕЛЫЙ) DİFERANSİYEL BASINÇ PRİZİ (BEYAZ)	TORNEIRA DE PRESSÃO DIFERENCIAL (BRANCA)	GNIAZDO CIŚNIENIA RÓŻNICOWEGO (BIAŁE)	1
1190	13009649	РАБОЧЕЕ КОЛЕСО D240X82 d19 TÜRBİN D240X82 d19	TURBINA D240X82 d19	WIMIK D240X82 d19	1
	65300542	РАБОЧЕЕ КОЛЕСО D215X82 d19 TÜRBİN D215X82 d19	TURBINA D215X82 d19	WIMIK D215X82 d19	1
1200	13020723	КРОНШТЕЙН ПНЕВМОРЕЛЕ Д32 HAVA BASINÇ ŞALTERİ MESNEDİ D32	BASE MANÓSTATO AR D32	WSPORNIK CZUJNIKA CIŚNI. POWIET. D32	1
1210	65300991	РЕЛЕ ДАВЛЕНИЯ ВОЗДУХ HUBA 604 1-10MBAR HAVA BASINÇ ŞALTERİ HUBA 604 1-10MBAR	MANÓSTATO DE AR 604 1-10MBAR	CZUJNIK CIŚNIENIA POWIETR. HUBA 604 1-10	1
	65301048	РЕЛЕ ДАВЛЕНИЯ ВОЗДУХ HUBA 604 5-20MBAR HAVA BASINÇ ŞALTERİ HUBA 5-20MBAR	MANÓSTATO DE AR HUBA 604 5-20MBAR	CZUJNIK CIŚNIENIA POWIETR. HUBA 5-20MBAR	1
1220	13009654	ДВИГАТЕЛЬ 1,5 кВт 230/400 В D19 + РАЗЪЕМ 1,5KW 230/400V D19 MOTOR +PRİZ	MOTOR 1,5KW 230/400V D19+PLUGUE	SILNIK 1,5 KW 230/400 V D19+GNIAZDO	1
1510	13009663	ТРАНСФО РОЗЖИГА EBI 2X7,5 230V ATEŞLEME TRAFO. EBI 2X7,5 230V	TRANSFO IGNIÇÃO EBI 2X7,5 230V	TRANSFO ZAPŁONOWY EBI 2X7,5 230V	1
1520	13016457	ДЕРЖАТЕЛЬ ПРЕДОХР-ЛЯ + ПРЕДОХР-ЛЬ 6.3 A ŞİGORTA TAŞIYICI + 6.3A ŞİGORTA	PORTA-FUSÍVEL+FUSÍVEL 6,3A	OPRAWA BEZPIECZNIKOWA +BEZPIECZNIK 6,3 A	1
1525	13016028	ПРЕДОХРАНИТЕЛЬ 5X20 6.3A ŞİGORTA 5X20 6.3A	FUSÍVEL 5X20 6,3A	BEZPIECZNIKA 5X20 6.3A	1
1530	13010007	ПЕРЕКЛЮЧАТЕЛЬ ŞALTER	INTERRUPTOR LIGAR/DESLIGAR	PRZEŁĄCZNIK	1
1540	13014009	ПЕРЕКЛЮЧАТЕЛЬ ŞALTER	INTERRUPTOR - FUNCIONAMENTO	PRZEŁĄCZNIK	1
1550	65301109	ДИСПЛЕЙ БЛОК УПРАВЛЕНИЯ TCG-TCH REL. 2.2 EKRAN İÇİN KUTU TCG-TCH REL. 2.2	VISOR UNIDADE CONTROLE TCG-TCH REL.2.2	WYŚWIETLACZ / MODUŁ TCG-TCH REL.2.2	1
1560	65300992	ПУЛЬТ УПРАВЛЕНИЯ ПЛАСТИКОВЫЙ İŞLETİM MASASI PLASTİK	PLACA DE CONTROLE PLÁSTICA	PLASTIKOWY PULPIT STEROWNICZY	1
1570	65300993	МУФТА ПРОКЛАДКИ ПРОВОДА Д54/Д47/Д36 KABLO KANALI D54/D47/D36	PASSA-CABOS D54/D47/D36	PRZELOTKA PRZEWODU D54/D47/D36	1
1580	13009661	ЗАТВОР/ПУЛЬТ TAPA / KONTROL PANELİ	OBTURADOR INTERFACE	PRZEPUSTNICA / PULPIT	1
1600	65301019	КАБЕЛЬ+РАЗЪЕМ РЕЛЕ ДАВЛЕНИЯ ГАЗА KABLOSU + PRİZ / GAZ BASINÇ ŞALT.	CABO+CONECTOR / PRESSOSTATO GÁS	PRZEWÓD+WTYCZKA CZUJNIKA CIŚNI. GAZU	1
1610	65301020	КАБЕЛЬ+РАЗЪЕМ ГАЗОВОГО КЛАПАНА KABLOSU + PRİZ / GAZ VANASI	CABO+CONECTOR / VÁLVULA DE GÁS	PRZEWÓD+WTYCZKA ZAWORU GAZOW.	1
1620	65300997	КАБЕЛЬ / ТРАНСФО РОЗЖИГА KABLOSU / ATEŞLEME TRAFO.	CABO/ACENDEDOR	PRZEWÓD+GNIAZDO/APARAT ZAPŁONOWY	1
1630	65300158	КАБЕЛЬ ИОНИЗАЦИОННЫЙ İYONLAŞMA SONDASI KABLOSU	CABO DE IONIZAÇÃO+CONECTOR	PRZEWÓD JONIZACYJNEJ	1
1650	65301000	КАБЕЛЬ L560+РАЗЪЕМ 4-ПОЛЮС/ДВИГАТЕЛЬ L560 KABLO +PRİZ 4P/MOTOR	CABO C.560+CONECTOR 4P/MOTOR	KABEL L560+GNIAZDO 4P/SILNIK	1

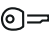


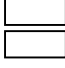
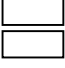

					
1700	65301021	БЛОК УПРАВЛЕНИЯ TCG 511.00 (R2.2) KUTU TCG 511.00	UNIDADE DE CONTROLE TCG 511.00	MODUŁ TCG 511.00	1
1800	13009778	КОНТАКТОР KONTAKTÖR	CONTATOR	KONTAKTOR	1
1810	13020693	ТЕПЛОВОЕ РЕЛЕ TERMIK ROELE	RELÉ TÉRMICO	PRZEKAŹNIK TERMICZNY	1
2020	13009612	ДЕФЛЕКТОР D125/40 9SL R 6DRIL. DEFLEKTOR D125/40 9SL R 6DRIL.	DEFLECTOR D125/40 9SL R 6DRIL.	DEFLEKTOR D125/40 9SL R 6DRIL.	1
	65326674	ДЕФЛЕКТОР D115/40X13,5 9SL. 6DRIL DEFLEKTOR D115/40X13,5 9SL. 6DRIL	DEFLECTOR D115/40X13,5 9SL. 6DRIL	DEFLEKTOR D115/40X13,5 9SL. 6DRIL	1
2040	13009726	БЛОК ЭЛЕКТРОДОВ 27X55 d6,4D2X23 45°+ВИНТ ELEKTROD BLOĞU 27X55 d6,4D2X23 45°+VIDA.	BLOCO ELETROD.27X55 d6,4D2X23 45°+PARAF.	BLOK ELEKTROD 27X55 d6,4D2X23 45° +ŞRUBA	1
2048	13010054	ПАНЕЛЬ КРЕПЛ. ДАТЧИКА ИОНИЗ. İYONİZÖR SONDASI TESPİT LEVHASI	PLACA FIX. SONDA IONIZ.	PŁYTKA MOCUJĄCA SONDA JON.	1
2070	13009623	КАБЕЛЬ РОЗЖИГА D4-D6,35X850 ATEŞLEME KABLOSU D4-D6,35X850	CABO IGNIZACAO D4-D6,35X850	PRZEWÓD ZAPŁONOWY D4-D6,35X850	1
	13009624	КАБЕЛЬ РОЗЖИГА SIL. L1050MM ATEŞLEME KABLOSU L1050MM	CABO IGNIZACAO L1050MM	PRZEWÓD ZAPŁONOWY L1050MM	1
2075	13009625	РЕЗИНОВЫЙ КОЛПАЧОК / ЗАПАЛЪН. ПРОВОД KAUÇUK BAŞLIK / ALÜMİNYUM KABLO	TAMPA DE BORRACHA/CABO DE IGNIÇÃO	ZAKRĘTKA PLASTIK/KABEL ALU	1
2090	13009626	ДАТЧИК ИОНИЗАЦИОННОГО D8X120 d6,4 D4X36 İYONİZASYON SONDA D8X120 d6,4 D4X36	SONDA IONIZACION D8X120 d6,4 D4X36	SONDA JONIZACYJNY D8X120 d6,4 D4X36	1
2095	13009627	КАБЕЛЬ ИОНИЗАЦИОН. SIL.F.MC4-D6,35X750 İYONİZASYON KABLOSU SIL.F.MC4-D6,35X750	CABO IONIZACION SIL.F.MC4-D6,35X750	PRZEWÓD JONIZACYJNY SIL.F.MC4-D6,35X750	1
	13009628	КАБЕЛЬ ИОНИЗАЦИОН. SIL.F.MC4-D6,35X1050 İYONİZASYON KABLOSU SIL.F.MC4-D6,35X1050	CABO IONIZACION SIL.F.MC4-D6,35X1050	PRZEWÓD JONIZACYJNY SIL.F.MC4-D6,35X1050	1
2100	13010064	АРМАТУРА ГАЗ. VG5R/NC95/120G KN/T1 DONANIM. GAZ HATTI VG5R/NC95/120G KN/T1	LINHA DE GAS CPL. VG5R/NC95/120G KN/T1	UKŁAD CIŚN. GAZU VG5R/NC95/120G KN/T1	1
	13010065	АРМАТУРА ГАЗ. VG5R/NC95/120G KL/T2 DONANIM. GAZ HATTI VG5R/NC95/120G KL/T2	LINHA DE GAS CPL. VG5R/NC95/120G KL/T2	UKŁAD CIŚN. GAZU VG5R/NC95/120G KL/T2	1
	13010066	АРМАТУРА ГАЗ. VG5R/NC95/120G KM/T3 DONANIM. GAZ HATTI VG5R/NC95/120G KM/T3	LINHA DE GAS CPL. VG5R/NC95/120G KM/T3	UKŁAD CIŚN. GAZU VG5R/NC95/120G KM/T3	1
2110	13009635	НАСТРОЕЧНЫЙ СТЕРЖЕНЬ LG.344 LG.344 AYARLAMA ÇUBUĞU	HASTE DE REGULAÇÃO COMP.344	TRZPIEŃ DO REGULACJI LG.344	1
	13009636	НАСТРОЕЧНЫЙ СТЕРЖЕНЬ LG.564 LG.564 AYARLAMA ÇUBUĞU	HASTE DE REGULAÇÃO COMP.564	TRZPIEŃ DO REGULACJI LG.564	1
	13009637	НАСТРОЕЧНЫЙ СТЕРЖЕНЬ LG.454 LG.454 AYARLAMA ÇUBUĞU	HASTE DE REGULAÇÃO COMP.454	TRZPIEŃ DO REGULACJI LG.454	1
2115	13009638	УДЛИНИТЕЛЬ НАСТРОЕЧНОГО СТЕРЖНЯ AYAR ÇUBUĞU UZATMASI	EXTENSÃO HASTE DE REGULAÇÃO	PRZEDŁUŻACZ TRZPIENIA DO REGULACJI	1
2120	13009632	ГАЗОВОЕ КОЛЕНО LG. 173 LG.173 GAZ DİRSEĞİ	COTOVELO GÁS COMP.173	KOLANKO GAZ. LG.173	1
	13009633	ГАЗОВОЕ КОЛЕНО LG. 393 LG.393 GAZ DİRSEĞİ	COTOVELO GÁS COMP.393	KOLANKO GAZ. LG.393	1
	13009634	ГАЗОВОЕ КОЛЕНО LG. 283 LG.283 GAZ DİRSEĞİ	COTOVELO GÁS COMP.283	KOLANKO GAZ. LG.283	1
2125	13009631	УПЛОТН. КОЛЬЦО D.55X4 D.55X4 O'RING	O-RING D.55X4	O'RING D.55X4	1
2140	13011601	СОПЛО ГОРЕЛКИ D141/125/170 L305 BRÜLÖR BORUSU D141/125/170 L305	TUBO DO QUEIMADOR D141/125/170 L305	RURA PALNIKA D141/125/170 L305	1
	13011602	СОПЛО ГОРЕЛКИ D141/125/170 L525 BRÜLÖR BORUSU D141/125/170 L525	TUBO DO QUEIMADOR D141/125/170 L525	RURA PALNIKA D141/125/170 L525	1
	13011603	СОПЛО ГОРЕЛКИ D141/125/170 L415 BRÜLÖR BORUSU D141/125/170 L415	TUBO DO QUEIMADOR D141/125/170 L415	RURA PALNIKA D141/125/170 L415	1
	65326667	СОПЛО ГОРЕЛКИ D170,8/141 L305 BRÜLÖR BORUSU D170,8/141 L305	TUBO DO QUEIMADOR D170,8/141 L305	RURA PALNIKA D170,8/141 L305	1
	65326668	СОПЛО ГОРЕЛКИ D170,8/141 L525 BRÜLÖR BORUSU D170,8/141 L525	TUBO DO QUEIMADOR D170,8/141 L525	RURA PALNIKA D170,8/141 L525	1
	65326669	СОПЛО ГОРЕЛКИ D170,8/141 L415 BRÜLÖR BORUSU D170,8/141 L415	TUBO DO QUEIMADOR D170,8/141 L415	RURA PALNIKA D170,8/141 L415	1
2150	13009619	УПЛОТНЕНИЕ/ПЕРЕДН ЧАСТЬ КОТЛА 228X220X10 228X220X10 KAZAN CONTASI/ÖN YÜZÜ	JUNTA/FRENTE CALDEIRA 228X220X10	USZCZELKA/ŚCIANA CZOŁ. KOTŁA 228X220X10	1
2170	13007804	ВИНТ М6 (ЛЕВ РЕЗЬБ) КРЕПЛ. ТРУБ ГОРЕЛКИ BRÜLÖR TÜRÜ M6 TESPİT VIDASI(SOLA DÖNÜŞ)	PARAFUSO M6 (PASSO ESQ.) TUBO QUEIMADOR	ŚRUBA M6 (LEWOSKRĘTNA) MOC. RURĘ PALNIKA	1
2711	13007041	ПРИНАДЛЕЖН. КОМПЛЕКТ ПРОПАН PROPAN KİTİ ERİŞİMİ	ACESS. KIT PROPANO	AKCESORIA KIT PROPAN	1
	13010062	КОМПЛЕКТ ВИНТОВ ПРИРОДНОГО ГАЗА DOĞAL GAZ VIDA TAKIM	KIT PARAFUSOS GÁS NATURAL	ZESTAW ŚRUBY GAZU ZIEMNEGO	1
2712	13010061	ЗАТВОР/ДИФФУЗОР TAPA/ DİFÜZÖR	OBTURADOR/DIFUSOR	PRZEPUSTNICA/DYFUZOR	1
2714	13010063	ГАЗОВЫЕ ДИФФУЗОРЫ (X6) GAZ DIFUZORLER (X6)	DIFUSORES GAS (X6)	DYSZ GAZU (X6)	1



		RU TR	PT	PL	X
2785	13009630	ГАЗОВАЯ РАЗВОДКА GAZ YILDIZ	ESTRELLA GAS	ZŁĄCZE GWIAZDOWE	1
3005	13011796	ФЛАНЕЦ/КОЛЛЕКТОР CPL. RP2 FLANŞI/KOLEKTÖR CPL. RP2	COLETOR COMPLETO RP2	KOŁNIERZ/KOLEKTOR CPL. RP2	1
	13014011	КОЛЛЕКТОР CPL. RP3/4 CPL. RP3/4 KOLEKTÖR	COLETOR COMPLETO RP3/4	KOLEKTOR CPL. RP3/4	1
	13014012	КОЛЛЕКТОР CPL. RP 1"1/4 CPL. RP 1"1/4 KOLEKTÖR	COLETOR COMPLETO RP 1"1/4	KOLEKTOR CPL. RP 1"1/4	1
3006	13011367	СТАБИЛИЗАТОР + СТОПОРНОЕ КОЛЬЦО D.60 STABILIZATÖR + CIRCLIPS D.60	ESTABILIZADOR+ANÉIS RETENÇÃO D.60	STABILIZATOR+ CIRCLIPS D.60	1
3007	13009722	ДАТЧИК ДАВЛЕНИЯ R1/8 R1/8 BASINÇ PRİZİ	TOMADA DE PRESSÃO R1/8	GNIAZDO CIŚNIENIOWE R1/8	1
3022	13020682	ШТУЦЕР "БАНДЖО" LCK-G1/8-ПК4 "BANJO" RAKOR LCK-G1/8-ПК4	CONEXÃO "BANJO" LCK-G1/8-ПК4	ZŁĄCZE "BANJO" LCK-G1/8-ПК4	1
3040	13007859	ФЛАНЕЦ MB420 RP2 W.PRES.PLUG FLANŞI MB420 RP2 W.PRES.PLUG	FLANGE MB420 RP2 W.PRES.PLUG	KOŁNIERZ MB420 RP2 W.PRES.PLUG	1
	13010074	ФЛАНЕЦ MB405/407 RP3/4 +O-RING FLANŞI MB405/407 RP3/4 +O-RING	FLANGE MB405/407 RP3/4 +O-RING	KOŁNIERZ MB405/407 RP3/4 +O-RING	1
	13010085	ФЛАНЕЦ MB410/412 RP1 1/4 FLANŞI MB410/412 RP1 1/4	FLANGE MB410/412 RP1 1/4	KOŁNIERZ MB410/412 RP1 1/4	1
3100	13011113	ГАЗ. КЛ-Н MBVEF407 B01 S30 RP3/4"PL=1,2 MBVEF407 B01 S30 RP3/4"PL=1,2 GAZ VANA.	VÁLV. GÁS MBVEF407 B01 S30 RP3/4"PL=1,2	ZAWÓR GAZ.MBVEF407 B01 S30 RP3/4"PL=1,2	1
	13011720	ГАЗ. КЛ-Н MBVEF412 B01 S30 PL=0,3-PF=1,2 MBVEF412 B01 S30 PL=0,3-PF=1,2 GAZVANASI	VÁLV. GÁS MBVEF412 B01 S30 PL=0,3-PF=1,2	ZAWÓR GAZ.MBVEF412 B01 S30 PL=0,3-PF=1,2	1
	13011725	ГАЗ. КЛ-Н MBVEF420 B01 S10 RP2"+FP MBVEF420 B01 S10 RP2"+FP GAZ VANASI	VÁLVULA GÁS MBVEF420 B01 S10 RP2 +FP	ZAWÓR GAZ. MBVEF420 B01 S10 RP2"+FP	1
3110	13010078	РЕГУЛ ДАВЛ. ГАЗА. GW 150 A5 30—150MB DIN GW 150 A5 30-150MB DIN GAZ MANOSTATI	PRESSOSTATO GÁS GW 150 A5 30-150MB DIN	CZUJNIK CIŚ. GAZU GW 150 A5 30-150MB DIN	1
3120	13010083	КАТУШКА DUN № 1105 MBVEF407 N° 1105 MBVEF407 DUN BOBINI	BOBINA DUN N.º 1105 MBVEF407	CEWKA DUN NR 1105 MBVEF407	1
	13010084	КАТУШКА DUN № 1205 MBVEF412 N° 1205 MBVEF412 DUN BOBINI	BOBINA DUN N.º 1205 MBVEF412	CEWKA DUN NR 1205 MBVEF412	1
	13011726	КАТУШКА DUN № 1215 MBVEF420 N° 1215 MBVEF420 DUN BOBINI	BOBINA DUN N.º 1215 MBVEF420	CEWKA DUN NR 1215 MBVEF420	1
3140	13007901	ФИЛЬТРУЮЩИЙ ЭЛЕМЕНТ/МВ...420 FILTRELEYİCİ ELEMAN /MB...420	ELEMENTO FILTRANTE /MB...420	ELEMENT FILTRUJĄCY /MB...420	1
	13016011	СЕТЧАТЫЙ ФИЛЬТР/МВ...405/407 ELEK FİLTRE /MB...405/407	ELEMENTO FILTRANTE /MB...405/407	FILTR SITO /MB...405/407	1
	13016012	ФИЛЬТР. ЭЛЕМЕНТ/МВ...410/412 FİLTRE ELEMANI /MB...410/412	ELEMENTO FILTRANTE /MB...410/412	ELEMENT FILTRUJĄCY /MB...410/412	1
3150	13022464	ТРУБКА ОТБОРА ДАВЛЕНИЯ ГАЗА MBVEF 407 GAZ BASINÇ BORUSU MBVEF 407+RAKOR.	TUBO DE PRESSÃO GÁS MBVEF407+CONEXÃO	RURA CIŚNIE. GAZU MBVEF 407+ZŁĄCZEM	1
	65300649	ТРУБКА ОТБОРА ДАВЛЕНИЯ ГАЗА MBVEF412 GAZ BASINÇ BORUSU MBVEF412+RAKOR.	TUBO DE PRESSÃO GÁS MBVEF412+CONEXÃO	RURA CIŚNIE. GAZU MBVEF412+ZŁĄCZEM	1
	65300669	ТРУБКА ОТБОРА ДАВЛЕНИЯ ГАЗА MBVEF420 GAZ BASINÇ BORUSU MBVEF420+RAKOR.	TUBO DE PRESSÃO GÁS MBVEF420+CONEXÃO	RURA CIŚNIE. GAZU MBVEF420+ZŁĄCZEM	1
3160	13023188	УГЛОВОЙ ШТУЦЕР DIRSEKLI RAKOR	CONEXÃO COTOVELO	ZŁĄCZKA TYPU KOLANKO	1
3170	13023187	ШТУЦЕР G1/8 + УПЛОТНЕНИЕ RAKOR G1/8 + CONTA	CONEXÃO G1/8+JUNTA	ZŁĄCZE G1/8 + USZCZELKA	1
3200	65300575	КОМПЛЕКТ ПРОКЛАДОК МВ...407 CONTA KİTİ MB...407	KIT JUNTAS MB...407	ZESTAW USZCZELEK MB...407	1
	65300576	КОМПЛЕКТ ПРОКЛАДОК МВ...412 CONTA KİTİ MB...412	KIT JUNTAS MB...412	ZESTAW USZCZELEK MB...412	1
	65300671	КОМПЛЕКТ УПЛОТНЕНИЙ МВ...420 CONTA KİTİ MB...420	KIT JUNTAS MB...420	ZESTAW USZCZELEK MB...420	1
3410	13009700	ГАЗ ФИЛЬТР ВНЕШНИЙ RP2 RP2 HARICI GAZ FİLTRESİ	FILTRO GÁS EXTERNO RP2	FILTR GAZU	1
	13010092	ВНЕШНИЙ ГАЗОВЫЙ ФИЛЬТР RP1 DIŞ GAZ FİLTRESİ RP1	FILTRO GÁS RP 1	FILTR GAZU	1
3411	13010044	ФИЛЬТР. ЭЛЕМЕНТ RP2 + УПЛОТНЕНИЕ RP2 FİLTRE ELEMANI + CONTA	ELEMENTO FILT. RP2+O-RING	ELEMENT FILT. RP2+USZCZELKA	1
	13010093	ФИЛЬТР. ЭЛЕМЕНТ RP1"-1 1/2" RP1"-1 1/2" FİLTRE ELEMANI	ELEMENTO FILTRANTE RP1"-1 1/2"	ELEMENT FILTRUJĄCY RP1"-1 1/2"	1
4005	65301024	КОЛЛЕКТОР В СБОРЕ RP2 MANIFOLD KMPL. RP2	TUBO ABASTECIMENTO DE GÁS CPL. RP2	KOLEKTOR KOMPL. RP2	1
4006	13011367	СТАБИЛИЗАТОР + СТОПОРНОЕ КОЛЬЦО D.60 STABILIZATÖR + CIRCLIPS D.60	ESTABILIZADOR+ANÉIS RETENÇÃO D.60	STABILIZATOR+ CIRCLIPS D.60	1
4007	13009722	ДАТЧИК ДАВЛЕНИЯ R1/8 R1/8 BASINÇ PRİZİ	TOMADA DE PRESSÃO R1/8	GNIAZDO CIŚNIENIOWE R1/8	1
4022	13020682	ШТУЦЕР "БАНДЖО" LCK-G1/8-ПК4 "BANJO" RAKOR LCK-G1/8-ПК4	CONEXÃO "BANJO" LCK-G1/8-ПК4	ZŁĄCZE "BANJO" LCK-G1/8-ПК4	1

☞	XXXXXXXX	RU	PT	PL	X
		TR			
4030	13020958	СОЕДИНИТЕЛЬНЫЙ КАБЕЛЬ SKP SKP BAĞLANTI KABLOSU	CABO DE CONEXÃO SKP	KABEL ŁĄCZĄCY SKP	1
4040	65300871	ФЛАНЕЦ АГА51 RP2 FLANŞI АГА51 RP2	FLANGE АГА51 RP2	KOŁNIERZ АГА51 RP2	1
4100	65311581	ГАЗОВЫЙ КЛАПАН VGD20 5011 RP2" GAZ VANASI VGD20 5011 RP2"	VALVULA GAS VGD20 5011 RP2"	ZAWÓR GAZOWY VGD20 5011 RP2"	1
4102	13020950	ИСП. МЕХАНИЗМ ГАЗ SKP75.003E2 S.КОНЦЕВОЙ KURS SONSUZ SKP75.003E2 GAZ SERVOMOTORU	ATUADOR GÁS SKP75.003E2 S.FIM CURSO	SIŁOWNIK GAZ. SKP75.003E2 S.WYL.KRAŃCOWY	1
4105	13020951	ИСП. МЕХАНИЗМ ГАЗ SKP15.000E2 S.КОНЦЕВОЙ KURS SONSUZ SKP15.000E2 GAZ SERVOMOTORU	ATUADOR GÁS SKP15.000E2 S.FIM CURSO	SIŁOWNIK GAZ. SKP15.000E2 S.WYL.KRAŃCOWY	1
4110	13010078	РЕГУЛ ДАВЛ. ГАЗА. GW 150 А5 30—150МВ DIN GW 150 А5 30-150МВ DIN GAZ MANOSTATI	PRESSOSTATO GÁS GW 150 А5 30-150МВ DIN	CZUJNIK CIŚ. GAZU GW 150 А5 30-150МВ DIN	1
4150	65301075	ТРУБ. ОТБОРА VGD20 RP2 NC95/210-VG5/6 TUPLU GAZ BASI. VGD20 RP2 NC95/210-VG5/6	TB. PRESSÃO GÁS VGD20 RP2 NC95/210-VG5/6	RURA CIŚNIENI VGD20 RP2 NC95/210-VG5/6	1
4160	13023188	УГЛОВОЙ ШТУЦЕР DIRSEKLI RAKOR	CONEXÃO COTOVELO	ZŁĄCZKA TYPU KOLANKO	1
4170	13009721	ШТУЦЕР, ПРАВЫЙ SAĞ RAKOR	CONEXÃO DIREITA	ZŁĄCZE PRAWIE	1
4200	13011733	КОМП-КТ УПЛОТНЕНИЙ VGG,VGF10/VGD20 RP2 VGG,VGF10/VGD20 RP2 CONTA KİTİ	KIT VEDAÇÖES VGG,VGF10/VGD20 RP2	ZESTAW USZCZELEK VGG,VGF10/VGD20 RP2	1
4410	13009700	ГАЗ ФИЛЬТР ВНЕШНИЙ RP2 RP2 HARİCİ GAZ FİLTRESİ	FILTRO GÁS EXTERNO RP2	FILTR GAZU	1
4411	13010044	ФИЛЬТР. ЭЛЕМЕНТ RP2 + УПЛОТНЕНИЕ RP2 FİLTRE ELEMANI + CONTA	ELEMENTO FILT. RP2+O-RING	ELEMENT FILT. RP2+USZCZELKA	1
4505	65301022	КОЛЛЕКТОР В СБОРЕ DN65 MANIFOLD KMP.L. DN65	TUBO ABASTECIMENTO GÁS COMPLETO DN65	KOLEKTOR KOMPL. DN65	1
4506	13011367	СТАБИЛИЗАТОР + СТОПОРНОЕ КОЛЬЦО D.60 STABILİZATÖR + CİRCİLİPS D.60	ESTABILIZADOR+ANÉIS RETENÇÃO D.60	STABILIZATOR+ CİRCİLİPS D.60	1
4507	13009722	ДАТЧИК ДАВЛЕНИЯ R1/8 R1/8 BASINÇ PRİZİ	TOMADA DE PRESSÃO R1/8	GNIAZDO CIŚNIENIOWE R1/8	1
4522	13020682	ШТУЦЕР "БАНДЖО" LCK-G1/8-РК4 "BANJO" RAKOR LCK-G1/8-РК4	CONEXÃO "BANJO" LCK-G1/8-РК4	ZŁĄCZE "BANJO" LCK-G1/8-РК4	1
4530	13020958	СОЕДИНИТЕЛЬНЫЙ КАБЕЛЬ SKP SKP BAĞLANTI KABLOSU	CABO DE CONEXÃO SKP	KABEL ŁĄCZĄCY SKP	1
4600	65323661	ГАЗОВЫЙ КЛАПАН VGD40 065 DN65 GAZ VANASI VGD40 065 DN65	VÁLVULA GÁS VGD40 065 DN65	ZAWÓR GAZOWY VGD40 065 DN65	1
4602	13020950	ИСП. МЕХАНИЗМ ГАЗ SKP75.003E2 S.КОНЦЕВОЙ KURS SONSUZ SKP75.003E2 GAZ SERVOMOTORU	ATUADOR GÁS SKP75.003E2 S.FIM CURSO	SIŁOWNIK GAZ. SKP75.003E2 S.WYL.KRAŃCOWY	1
4605	13020951	ИСП. МЕХАНИЗМ ГАЗ SKP15.000E2 S.КОНЦЕВОЙ KURS SONSUZ SKP15.000E2 GAZ SERVOMOTORU	ATUADOR GÁS SKP15.000E2 S.FIM CURSO	SIŁOWNIK GAZ. SKP15.000E2 S.WYL.KRAŃCOWY	1
4610	13010078	РЕГУЛ ДАВЛ. ГАЗА. GW 150 А5 30—150МВ DIN GW 150 А5 30-150МВ DIN GAZ MANOSTATI	PRESSOSTATO GÁS GW 150 А5 30-150МВ DIN	CZUJNIK CIŚ. GAZU GW 150 А5 30-150МВ DIN	1
4650	65301025	ТРУБ. ОТБОРА VGD40 DN65 NC95/210-VG5/6 RAKOR.GAZ BASINÇ BO. DN65 NC95/210-VG5/6	TB. PR.GÁS CPL.VGD40 DN65 NC95/210-VG5/6	RURA CIŚNIENI VGD40 DN65 NC95/210-VG5/6	1
4660	13023188	УГЛОВОЙ ШТУЦЕР DIRSEKLI RAKOR	CONEXÃO COTOVELO	ZŁĄCZKA TYPU KOLANKO	1
4670	13009721	ШТУЦЕР, ПРАВЫЙ SAĞ RAKOR	CONEXÃO DIREITA	ZŁĄCZE PRAWIE	1
4700	13013781	КОМПЛЕКТ УПЛОТНЕНИЙ VGD40 DN65 VGD40 DN65 CONTA KİTİ	KIT VEDAÇÖES VGD40 DN65	ZESTAW USZCZELEK VGD40 DN65	1
4910	13009703	ГАЗ ФИЛЬТР ВНЕШНИЙ DN65 DN65 HARİCİ GAZ FİLTRESİ	FILTRO GÁS EXTERNO DN65	FILTR ZEWNĘTRZNY DN 65	1
4911	13009704	ГАЗ. ФИЛЬТРУЮЩИЙ ЭЛЕМЕНТ DN65 С УПЛОТН. CONTALI DN65 GAZ FİLTRE ELEMANI	ELEMENTO FILTRANTE GÁS DN65 COM O-RING	ELEMENT FILTRUJĄCY GAZ. DN65 Z USZCZELKA	1



CB-VG5DP R (50/60Hz)

Gas burners



---

## ADDRESSES

[www.elco.net](http://www.elco.net)



## LIST OF THE ABBREVIATIONS

-  : Maintenance parts / Pièces d'entretien / Materiali di consumo /  
: Piezas de mantenimiento / Hilfsmaterial / Onderhoudsonderdelen
-  : Wearing parts / Pièces d'usure / Parti di usura  
: Piezas de desgaste / Verschleisstelle / Slijtageonderdelen
- \* : Item not stocked, manufactured to order / Article non stocké, fabrication à la demande /  
: Articolo non a magazzino, produzione all'ordine / Artículo no almacenado, fabricación previa solicitud /  
: Keine Lagerware, wird bei Bedarf bestellt, Artikel niet op voorraad, fabricage op bestelling

## IDENTIFICATION PLATE

### SERIAL NUMBER

<p><b>7 Characters :</b></p> <p style="margin-left: 40px;">00001 / K A</p> <p style="margin-left: 40px;">Sequential number</p>	<p>Trimester of manufacture : from A to D</p> <p>Year of manufacture : <math>\longrightarrow</math> K <math>\rightarrow</math> 2003 L <math>\rightarrow</math> 2004 M <math>\rightarrow</math> 2005 etc ...</p>
<p><b>8 Characters :</b></p> <p style="margin-left: 40px;">00001 / L 09</p> <p style="margin-left: 40px;">Sequential number</p>	<p>Month of manufacture</p> <p>Year of manufacture : <math>\longrightarrow</math> K <math>\rightarrow</math> 2003 L <math>\rightarrow</math> 2004 M <math>\rightarrow</math> 2005 etc ...</p>
<p><b>11 Characters :</b></p> <p style="margin-left: 40px;">2007 1370 P 07</p> <p style="margin-left: 40px;">Year of manufacture</p>	<p>Month of manufacture</p> <p>Year of manufacture : P <math>\rightarrow</math> 2007 R <math>\rightarrow</math> 2008 S <math>\rightarrow</math> 2009 T <math>\rightarrow</math> 2010 U <math>\rightarrow</math> 2011 W <math>\rightarrow</math> 2012 X <math>\rightarrow</math> 2013 Y <math>\rightarrow</math> 2014 Z <math>\rightarrow</math> 2015</p> <p>Sequential number</p>

---

The indications mentioned on the prices, commercial or technical literature and the scheme are written for your guidance and are available at a given time. The CONSTRUCTOR retains the power to modify the presentation, the form, the size, the conception or the material of the products.

---