



## SPARE PARTS EXPLODED VIEW GAS BURNERS

Model

**CB-VG6M(V)/TC (/PED)**

R8220136-03 - 15/09/2015

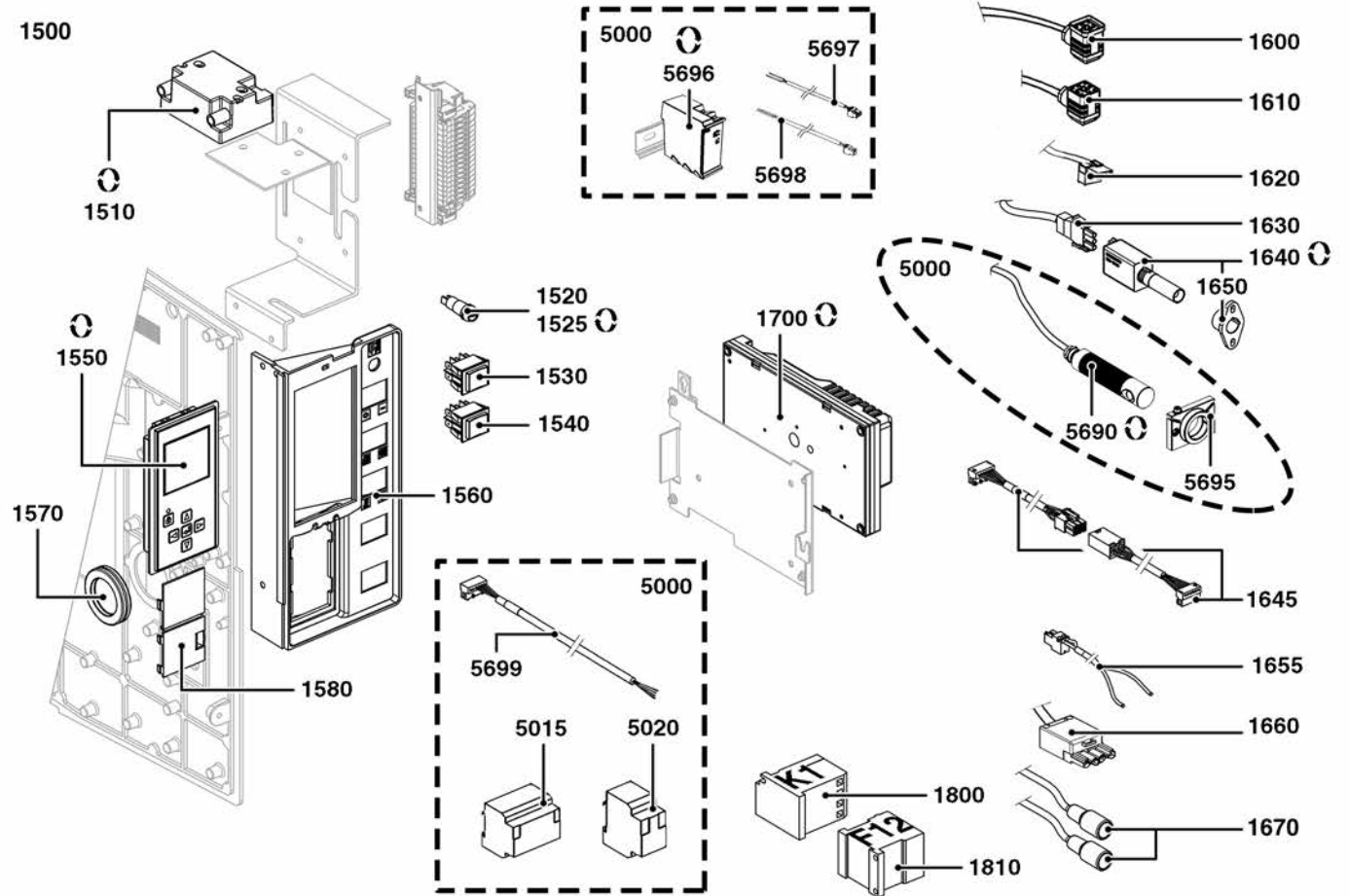
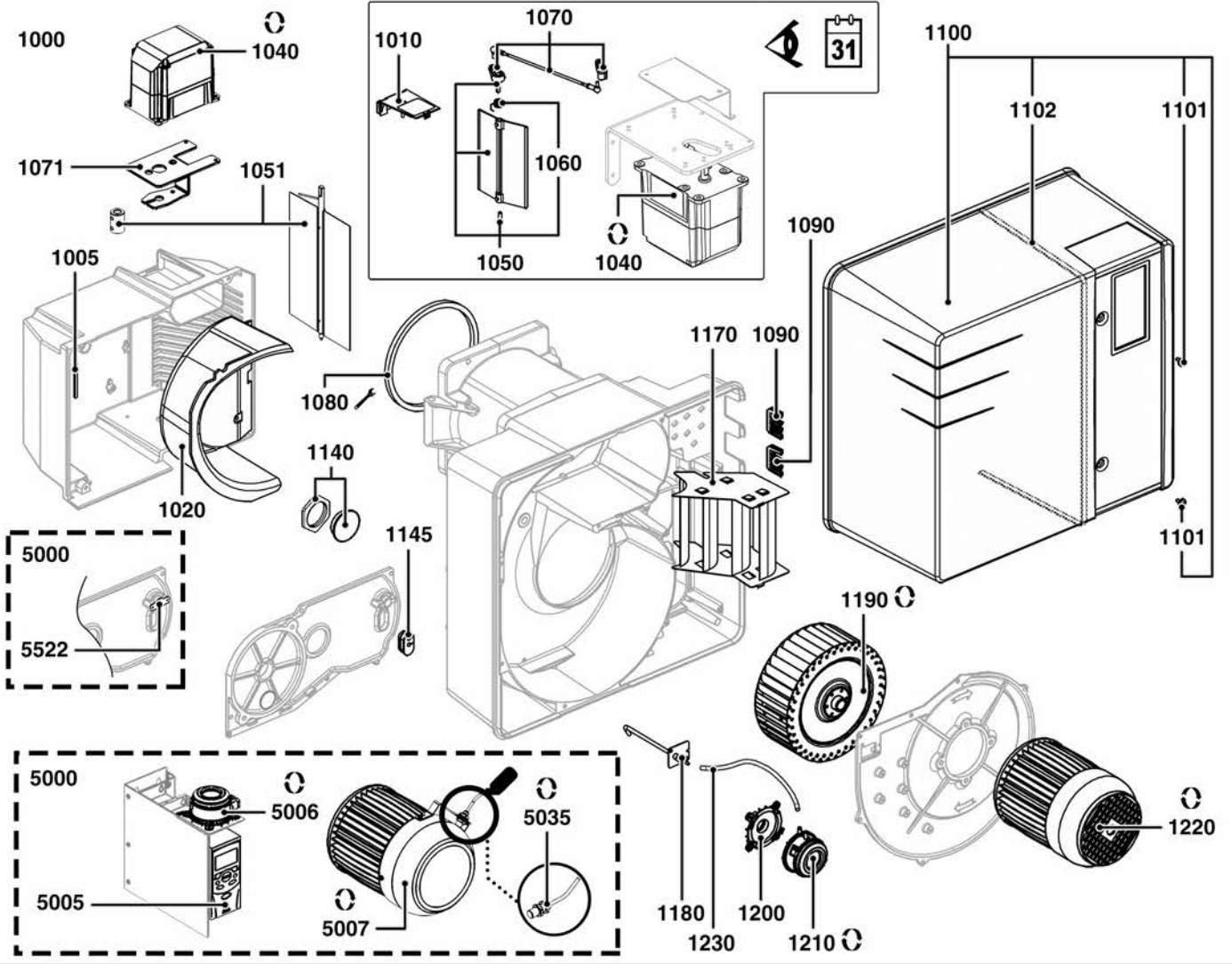
CB-VG6M(V)/TC (/PED)

Gas burners

1	3833687	BB-VG6.1600 M /TC	01-2013	-
2	3834671	BB-VG6.1600 M/TC/PED	04-2015	-
3	3834754	BB-VG6.1600 MV /TC	09-2015	-
4	3834758	BB-VG6.1600 MV /TC/PED	09-2015	-
5	3833688	BB-VG6.2100 M /TC	01-2013	-
6	3834672	BB-VG6.2100 M/TC/PED	04-2015	-
7	3834755	BB-VG6.2100 MV /TC	09-2015	-
8	3834759	BB-VG6.2100 MV /TC/PED	09-2015	-
9	3833422	CH-G0731-T1/KN	02-2011	-
10	3833484	CH-G0731 - T2/KL	10-2011	-
11	3833615	CH-G0731 - T3/KM	10-2011	-
12	3834659	GT-D420-1"1/2-RP2" /TC	02-2015	-
13	3834660	GT-D421-2"-RP2" /TC	02-2015	-
14	3834661	GT-D422-65-DN65 /TC	02-2015	-
15	3834662	GT-S42-65-DN65 /TC	02-2015	-

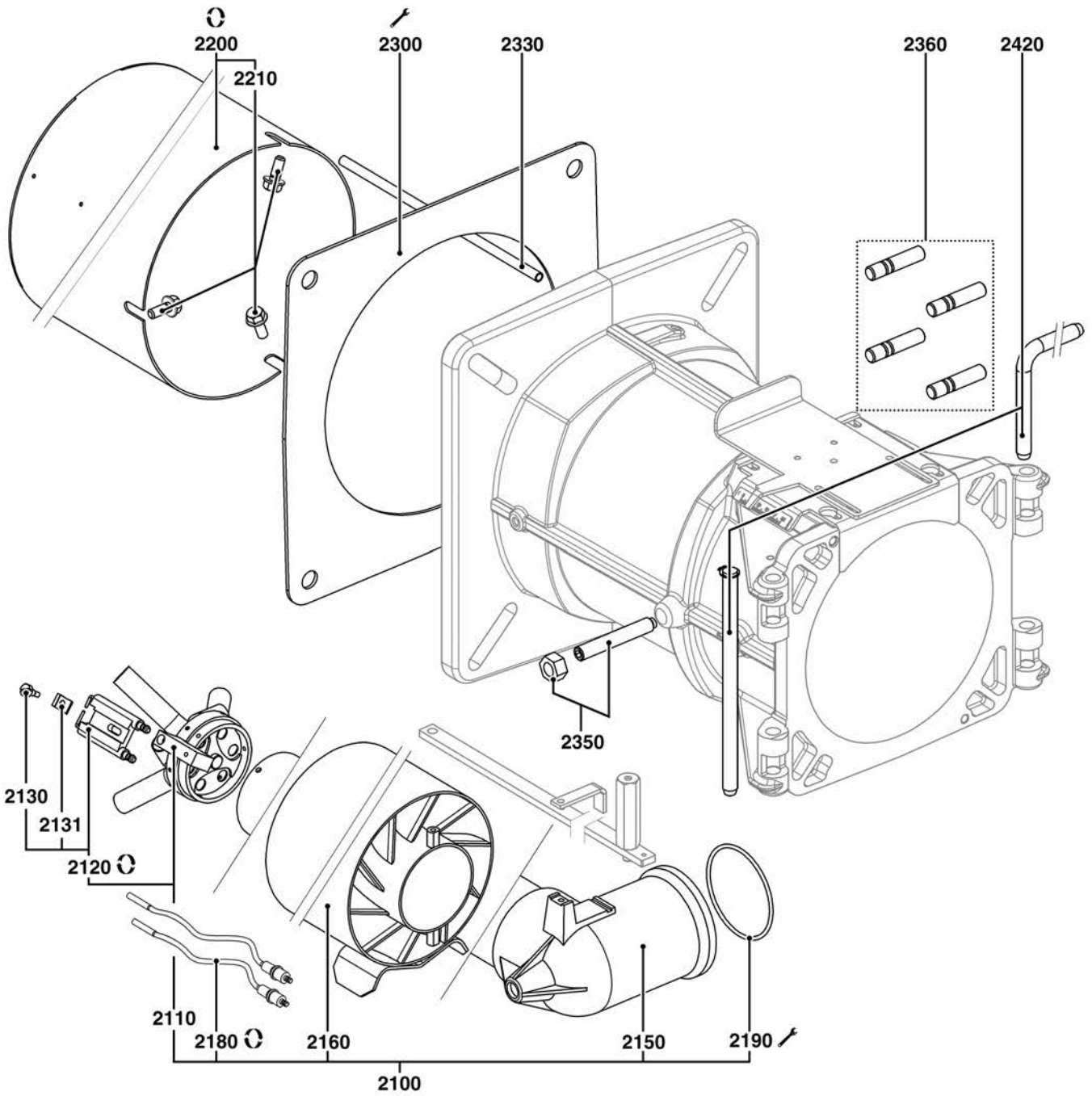
Col	Reference	Model type	Begin	End
-----	-----------	------------	-------	-----



☉⇒	Description	Manf. Pt N	Type	<div style="display: flex; justify-content: space-between; font-size: small;"> <span>BB-VG6-1600 M /TC</span> <span>BB-VG6-1800 M/TC</span> <span>BB-VG6-1800 MV /TC</span> <span>BB-VG6-1800 MV /TC</span> <span>BB-VG6-2100 M /TC</span> <span>BB-VG6-2100 MV /TC</span> <span>BB-VG6-2100 M/TC</span> <span>BB-VG6-2100 MV /TC</span> <span>CH-G0731-11KN</span> <span>CH-G0731-12IKL</span> <span>GT-D421-1-1/2-RP2 /TC</span> <span>GT-D421-2-RP2 /TC</span> <span>GT-S42-65-DN65 /TC</span> </div>																		From	to
				1	2	3	4	5	6	7	8	9	10	11	12	13	14	15	16	17	18		
<b>1000</b>	<b>BURNER BODY</b>																						
1005	AIR BOX GASKET	13009640		•	•	•	•	•	•	•	•												
1010	AIR BOX COVER	13009642		•				•													03/15		
1020	AIR BOX INSULATION	13009641		•	•	•	•	•	•	•	•												
1040	ACTUATOR STE 4,5 Q3.51/6 R 3NM	65301001		•	•	•	•	•	•	•	•												
1050	AIR FLAP WITH FITTINGS	13014117		•				•													03/15		
1051	AIR FLAP CPL.	65326227		•	•	•	•	•	•	•	•												
	AIR FLAP CPL.	65326227		•				•													04/15		
1060	AIR SPRING (GREY)	13011751		•				•													03/15		
1070	COUPLING CPL.	65301070		•				•													03/15		
1071	SERVOMOTOR HOLDER	65326226		•	•	•	•	•	•	•	•												
	SERVOMOTOR HOLDER	65326226		•				•													04/15		
1080	CASING GASKET	13010055		•	•	•	•	•	•	•	•												
1090	GROMMET/HOUSING	13016845		•	•	•	•	•	•	•	•												
1100	HOOD VECTRON5 AND V6+MOUNTING SCREW	65301016		•	•	•	•	•	•	•	•												
1101	FLAT HEAD SCREW M5X15	65300519		•	•	•	•	•	•	•	•												
1102	GASKET STRIP/COVER	13009772		•	•	•	•	•	•	•	•												
1140	INSPECTION GLASS	13010008		•	•	•	•	•	•	•	•												
1145	CABLE GROMMET	13009648		•	•	•	•	•	•	•	•												
1170	AIR RECTIFIER	13009748		•	•	•	•	•	•	•	•												
1180	PRESSURE TAP	13009738		•	•	•	•	•	•	•	•												
1190	FAN WHEEL D240X114 d24	13009736		•	•	•	•	•	•	•	•												
	FAN WHEEL D250X114 d24	13009737		•	•	•	•	•	•	•	•												
1200	AIR PRESSURE SWITCH BASE D32	13020723		•	•	•	•	•	•	•	•												
1210	AIR PRESS.SWITCH 604.92 1-10MB	65300021		•	•	•	•	•	•	•	•												
1220	MOTOR 2.2KW230/400V D24+PLUG	13009739		•	•	•	•	•	•	•	•												
	MOTOR 2.5KW230/400V D24+PLUG	13009740		•	•	•	•	•	•	•	•												
1230	D4/6 TUBE	13014337		•	•	•	•	•	•	•	•												
<b>1500</b>	<b>ELECTRIC PART</b>																						
1510	IGNITION TRANSFORMER EBI 2X7.5 230V	13009663		•	•	•	•	•	•	•	•												
1520	FUSE HOLDER + FUSE 6.3A	13016457		•	•	•	•	•	•	•	•												
1525	FUSE 5X20 6.3A	13016028		•	•	•	•	•	•	•	•												
1530	OPERATING SWITCH ON/OFF	13010007		•	•	•	•	•	•	•	•												
1540	OPERATING SWITCH - OPERATION	13014009		•	•	•	•	•	•	•	•												
1550	DISPLAY FOR CONTROL UNIT BT3XX	65300975		•	•	•	•	•	•	•	•												
1560	PLASTIC CONTROL BOARD	65300992		•	•	•	•	•	•	•	•												
1570	CABLE GROMMET D54/D47/D36	65300993		•	•	•	•	•	•	•	•												
1580	SHUTTER/CONSOLE	13009661		•	•	•	•	•	•	•	•												
1600	CABLE+CONNECTOR/GAS PRESSURE SWITCH	65301060		•	•	•	•	•	•	•	•												
1610	CABLE+CONNECTOR/GAS VALVE	65301061		•	•	•	•	•	•	•	•												
1620	CABLE+CONNECTOR/IGNITER	65301062		•	•	•	•	•	•	•	•												
1630	PHOTOCELL IRD.1020.1 CABLE+CONNECT.	65301063		•	•	•	•	•	•	•	•												
1640	PHOTOCELL IRD 1020.1 WHITE AXIAL	65301035		•	•	•	•	•	•	•	•												
1645	CABLE+CONNECTOR/GAS SERVOMOTOR	65301111		•	•	•	•	•	•	•	•												
1650	PHOTOCELL HOLD.M93 FOR IRD1020.1	13010461		•	•	•	•	•	•	•	•												
1655	CABLE+CONNECTOR/AIR PRESSURE SWITCH	65300046		•	•	•	•	•	•	•	•												
1660	CABLE L560+PLUG 4P/MOTOR	65301000		•	•	•	•	•	•	•	•												
1670	IGNITION CABLE	13009743		•	•	•	•	•	•	•	•												
1700	CONTROL UNIT LCG 911 BT320	65300964		•				•															
	CONTROL UNIT LCG911.02	65326450	FQ					•			•												
	CONTROL UNIT LCG921.01 BT330 UV	65326219	PED					•			•												
	CONTROL UNIT LCG921.03	65326452	FQ+PED					•			•												
1800	CONTACTOR	13009778		•	•	•	•	•	•	•	•												
1810	THERMAL RELAY LR2K 5.5-8.0A	13009746		•	•	•	•	•	•	•	•												
<b>5000</b>	<b>ACCESSORY</b>																						
5005	FREQUENCY INVERTER ABB ACS 2,2 KW	65326445	FQ					•	•														
	FREQUENCY INVERTER ABB ACS 3 KW	65326446	FQ					•	•														
5006	AIR PRESS.SWITCH 604.92 1-10MB	65300021						•	•														
5007	MOTOR 2,2KW+ROTAT. SENSOR/INVERTER	65326448	FQ					•	•														
	MOTOR 2,5KW+ROTAT. SENSOR/INVERTER	65326449	FQ					•	•														
5015	LCM100 MODULE (LSB-M 667R0500-1)	65311790						•	•														
5020	VMS100 MODULE	65311918	FQ					•	•														
5035	NAMUR SENSOR	1658418384	FQ					•	•														
5522	COVER FOR PHOTOCELL LOCATION	65321365	PED					•	•														
5690	PHOTOCELL FFS08-UV1 659D31 - 5M W/O	65312274	PED					•	•														
5695	HOLDER FOR FLAME DETECTOR FFS06/FFS08	65312242	PED					•	•														
5696	CONSOLE LAMTEC F152 659G0501	65312275	PED					•	•														
5697	CABLE POWER SUPPLY FOR F152	65326222	PED					•	•														
5698	CABLE UV FOR BT3XXX	65326221	PED					•	•														
5699	CONNECTION CABLE BT300/LCM100 667P0515	65312244						•	•														

CB-VG6M(V)/TC (/PED)

Gas burners

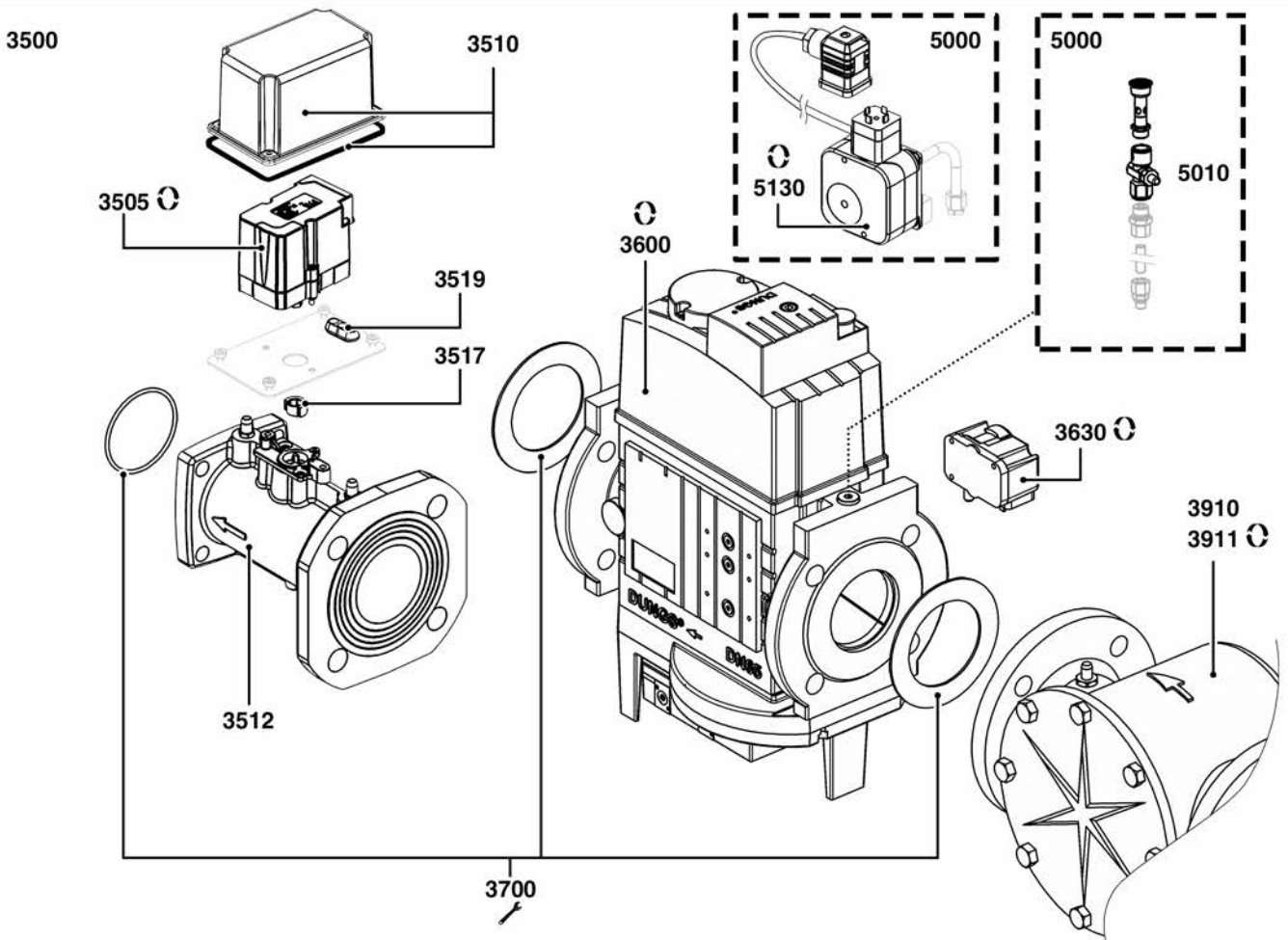
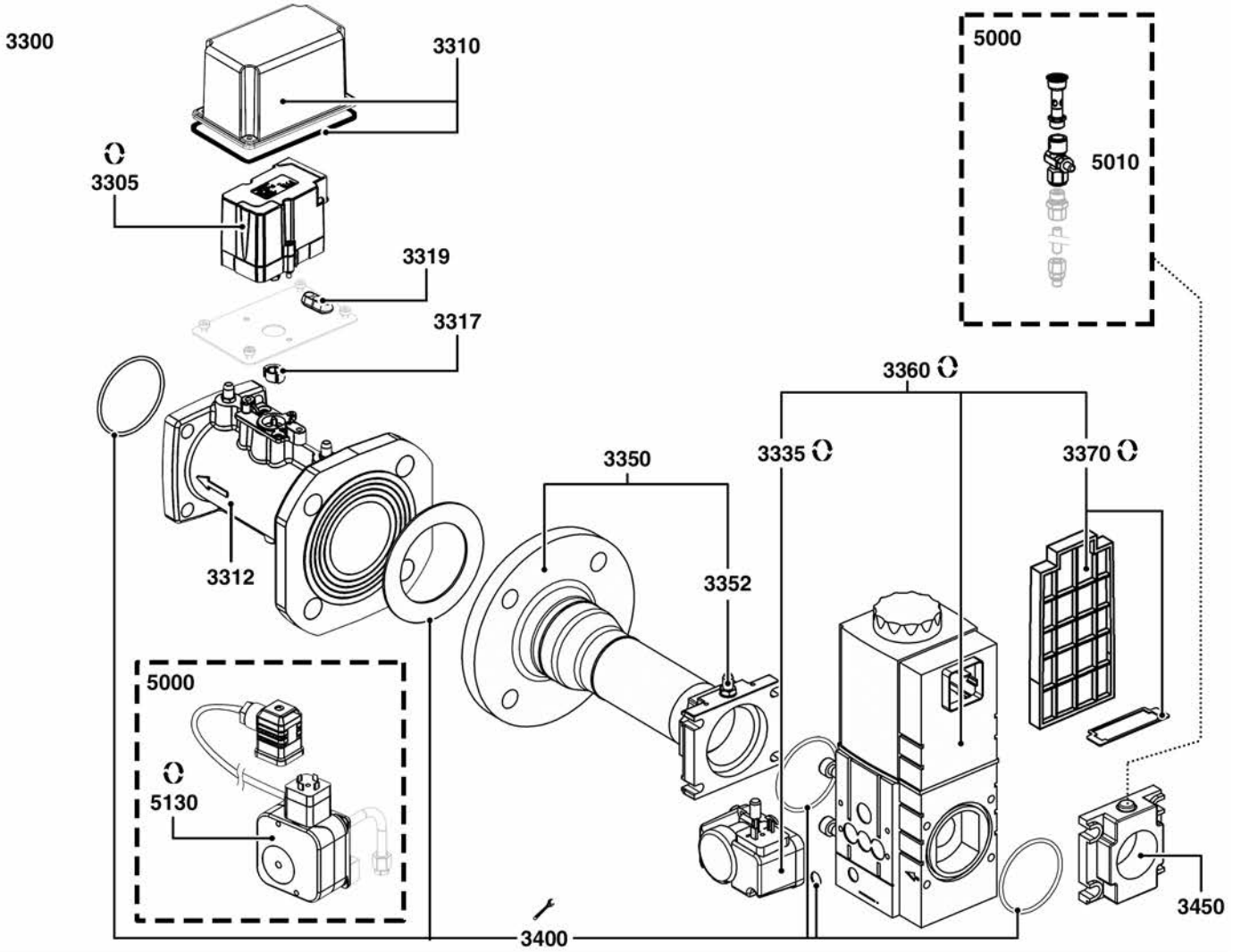


☉⇒	Description	Manf. Pt. N	Type	<div style="display: flex; justify-content: space-between; font-size: 8px; text-align: center;"> <span>BB-VG6-1600 M /TC</span> <span>BB-VG6-1800 M /TC</span> <span>BB-VG6-1800 MV /TC</span> <span>BB-VG6-1800 MV /TC</span> <span>BB-VG6-2100 M /TC</span> <span>BB-VG6-2100 M /TC</span> <span>BB-VG6-2100 MV /TC</span> <span>BB-VG6-2100 MV /TC</span> <span>CH-G0731-11KN</span> <span>CH-G0731-12KN</span> <span>CH-G0731-12KN</span> <span>GT-D420-1-1/2-RP2 /TC</span> <span>GT-D421-2-RP2 /TC</span> <span>GT-D422-85-DN65 /TC</span> <span>GT-S42-65-DN65 /TC</span> </div>																		From	to
				1	2	3	4	5	6	7	8	9	10	11	12	13	14	15	16	17	18		
2000	<b>COMBUSTION HEAD</b>																						
2100	GAS LINE WITH FITTINGS T1/KN	65301027								●													
	GAS LINE WITH FITTINGS T2/KL	65301028									●												
	GAS LINE WITH FITTINGS T3/KM	65301029										●											
2110	GAS DIFFUSER ASSEMBLY	65301030								●	●	●											
2120	ELECTROD.BLOC.27X55 d6,4 D2X23 45°+SCREW	13009726								●	●	●											
2130	WASHER HEAD SCREW M4/ELECTRODES BLOCK	13010049								●	●	●											
2131	FLANGE 20X11X2,6 FIX. ELECTRODE	13009725								●	●	●											
2150	GAS ELBOW+TUBE LG.506	65301117								●													
	GAS ELBOW+TUBE LG.606	65301119										●											
	GAS ELBOW+TUBE LG.706	65301118										●											
2160	SWIRLER	65301120								●	●	●											
2180	IGNITION CABLES L950	13009727								●	●	●											
2190	O-RING D.75X4	13009731								●	●	●											
2200	FLAME TUBE D227/157 L380	65301031								●													
	FLAME TUBE D227/157 L530	65301033										●											
	FLAME TUBE D227/157 L623	65301032										●											
2210	BURNER TUBE SCREW FIX. KIT (X3)	13009723								●	●	●											
2300	GASKET/BOILER FRONT 326X335X3	13009719								●	●	●											
2330	FURNACE PRESSURE TUBE LG. 250MM	65300252								●													
	FURNACE PRESSURE TUBE LG. 350MM	65300597										●	●										
2350	MOUNTING SCREW+NUT M12X80	65300854								●	●	●											
2360	STUDS SET M12X40+NUT	13022998								●	●	●											
2420	HINGE KIT	13009724								●	●	●											

CB-VG6M(V)/TC (/PED)

Gas burners

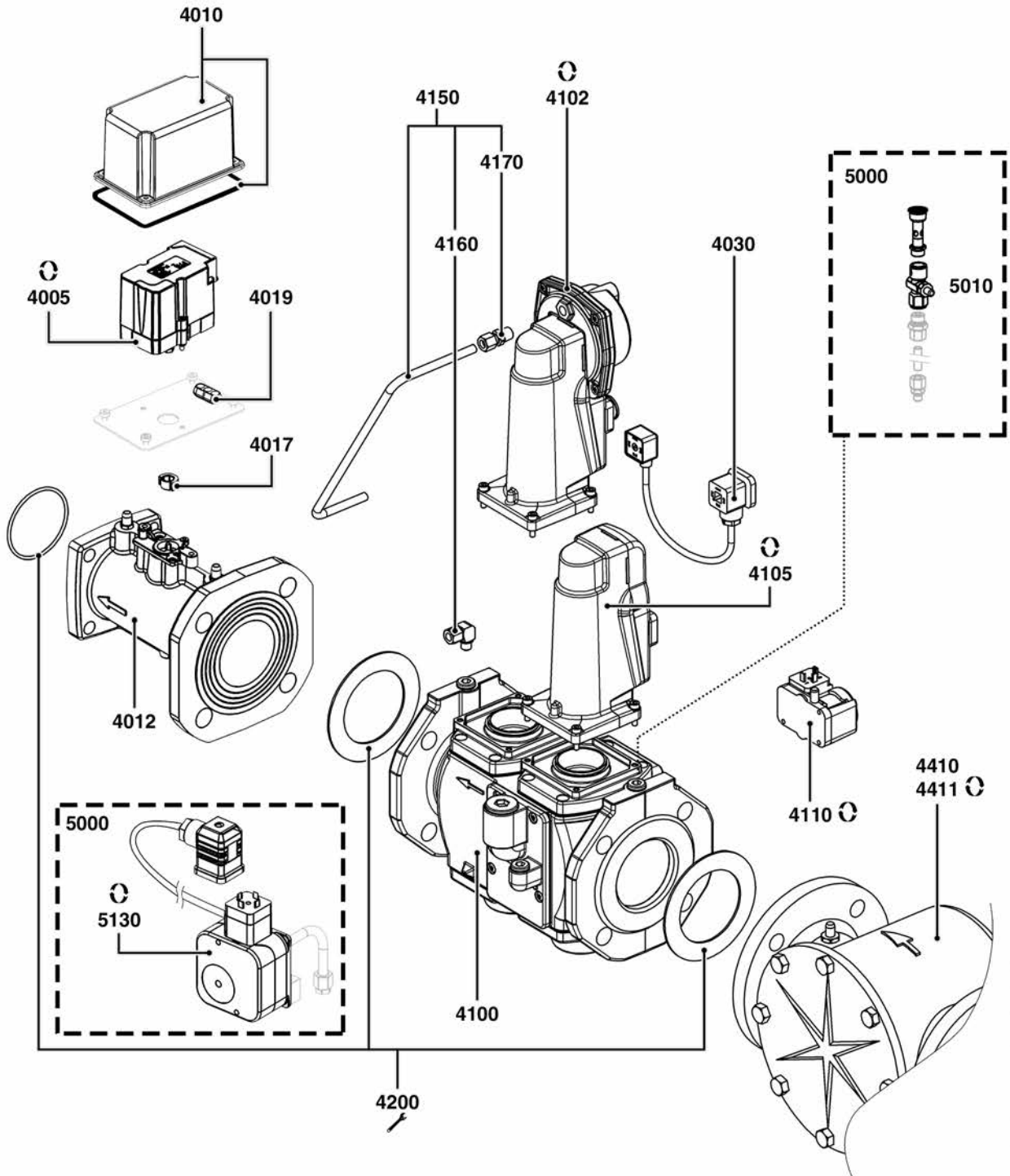




	Description	Manf. Pt. N	Type	<div style="display: flex; flex-direction: row-reverse; justify-content: space-between;"> <div style="border: 1px solid black; padding: 2px;">31</div> <div style="font-size: 8px; text-align: center;">             BB-VG6-1600 M /TC              BB-VG6-1800 M /TC PED              BB-VG6-1800 MV /TC              BB-VG6-1800 MV /TC PED              BB-VG6-2100 M /TC              BB-VG6-2100 M /TC PED              CH-G0731-T1KN              CH-G0731-T2IKL              CH-G0731-T3IKM              GT-DA21-1/2-RP2 /TC              GT-DA22-85-DN65 /TC              GT-S42-65-DN65 /TC           </div> </div>																		From to	
				1	2	3	4	5	6	7	8	9	10	11	12	13	14	15	16	17	18	From	to
<b>3300</b>	<b>GAS TRAIN</b>																						
3305	ACTUATOR STE 4,5 B037/6 R	65300980										●	●										
3310	ACTUATOR COVER	65312327										●	●										
3312	GAS THROTTLE DN65	65301268										●	●										
3317	ROTATION STOP F. SHAFT STE4.5 0.8NM	65301267										●	●										
3319	GROMMET DIM.34X15/12 D.6,2	65312458										●	●										
3335	GAS PRESS. SWITCH GW 150 A5 30-150MB DIN	13010078										●	●										
3350	COMPLETE COLLECTOR RP2	13009693										●	●										
3352	PRESSURE TAP R1/8	13009722										●	●										
3360	GAS VALVE MBC1200 SE S82 RP2"	65300008										●	●										
	GAS VALVE MBC700 SE S82 RP1"1/4	13022996										●	●										
3370	SCREEN FILTER/GAS VALVE MBC1200	13022417										●	●										
	SCREEN FILTER/GAS VALVE MBC700	13022416										●	●										
3400	GASKET SET MBC700/1200 DN	65301065										●	●										
3450	FLANGE MB415/420 RP1 1/2	13007858										●	●										
<b>3500</b>	<b>GAS TRAIN</b>																						
3505	ACTUATOR STE 4,5 B037/6 R	65300980												●									
3510	ACTUATOR COVER	65312327												●									
3512	GAS THROTTLE DN65	65301268												●									
3517	ROTATION STOP F. SHAFT STE4.5 0.8NM	65301267												●									
3519	GROMMET DIM.34X15/12 D.6,2	65312458												●									
3600	GAS VALVE MBC1900 SE DN65	65301067												●									
3630	GAS PRESS. SWITCH GW 150 A5 30-150MB DIN	13010078												●									
3700	GASKET SET MBC1900 DN	65301066												●									
3910	EXTERNAL GAS FILTER DN65	13009703												●									
3911	GAS FILTERING ELEMENT DN65 WITH GASKET	13009704												●									
<b>5000</b>	<b>ACCESSORY</b>																						
5010	TRIAL BURNER WITH PUSH-BUTTON PB2	65311362										●	●	●									
5130	MAX. GAS PRES. SWITCH UB50 A2+CABLE L600	65326220	PED									●	●	●									

CB-VG6M(V)/TC (/PED)

Gas burners





☉⇒	Description	Manf. Pt. N	Type	<div style="display: flex; justify-content: space-between; font-size: 8px; text-align: center;"> <span>BB-VG6-1600 M /TC</span> <span>BB-VG6-1600 M/TC/PED</span> <span>BB-VG6-1600 MV /TC</span> <span>BB-VG6-1600 MV /TC/PED</span> <span>BB-VG6-2100 M /TC</span> <span>BB-VG6-2100 M/TC/PED</span> <span>BB-VG6-2100 MV /TC</span> <span>BB-VG6-2100 MV /TC/PED</span> <span>CH-G0731-T1KN</span> <span>CH-G0731-T2IKL</span> <span>GT-D420-T1/2-RP2 /TC</span> <span>GT-D421-T2-RP2 /TC</span> <span>GT-D422-85-DN65 /TC</span> <span>GT-S42-65-DN65 /TC</span> </div>																		<div style="border: 1px solid black; padding: 2px; display: inline-block;">31</div>	
				1	2	3	4	5	6	7	8	9	10	11	12	13	14	15	16	17	18	From	to
<b>4000</b>	<b>GAS TRAIN</b>																						
4005	ACTUATOR STE 4,5 BO37/6 R	65300980																					
4010	ACTUATOR COVER	65312327																					
4012	GAS THROTTLE DN65	65301268																					
4017	ROTATION STOP F. SHAFT STE4.5 0.8NM	65301267																					
4019	GROMMET DIM.34X15/12 D.6,2	65312458																					
4030	CONNECTING CABLE SKP	13020958																					
4100	GAS VALVE VGD40 065 DN65	65323661																					
4102	GAS ACTUATOR SKP25.003E2 W.O.END SWITCH	65107100																					
4105	GAS SERVOM. SKP15.000E2 W/O LIMIT SW.	13020951																					
4110	GAS PRESS. SWITCH GW 150 A5 30-150MB DIN	13010078																					
4150	GAS PRESSURE TUBE WITH UNION	65301068																					
4160	ANGLED UNION	13023188																					
4170	STRAIGHT UNION	13009721																					
4200	GASKET SET MBC1900 DN	65301066																					
4410	EXTERNAL GAS FILTER DN65	13009703																					
4411	GAS FILTERING ELEMENT DN65 WITH GASKET	13009704																					
<b>5000</b>	<b>ACCESSORY</b>																						
5010	TRIAL BURNER WITH PUSH-BUTTON PB2	65311362																					
5130	MAX. GAS PRES. SWITCH UB50 A2+CABLE L600	65326220	PED																				

CB-VG6M(V)/TC (/PED)

Gas burners

		DE	FR	IT	
		NL	ES		
1005	13009640	DICHTUNG LUFTKASTEN DICHTING LUCHTKAST	JOINT BOITE A AIR JUNTA CAJA DE AIRE	GUARNIZIONE SCATOLA DELL'ARIA	1
1010	13009642	ABDECKUNG LUFTKASTEN DEKSEL LUCHTKAST	COUVERCLE BOITE A AIR TAPA CAJA DE AIRE	COPERCHIO SCATOLA DELL'ARIA	1
1020	13009641	ISOLIERUNG LUFTKASTEN ISOLATIE LUCHTKAST	ISOLATION BOITE A AIR AISLAMIENTO CAJA DE AIRE	ISOLAMENTO SCATOLA DELL'ARIA	1
1040	65301001	STELLANTRIEB STE 4,5 Q3.51/6 R 3NM SERVOMOTOR STE 4,5 B037/6	SERVOMOTEUR STE 4,5 Q3.51/6 R 3NM SERVOMOTOR STE 4,5 B037/6	SERVOMOTORE STE 4,5 Q3.51/6 R 3NM	1
1050	13014117	AUSGERÜSTETE LUFTKLAPPE VOLLEDIGE LUCHTKLEP	VOLET D'AIR EQUIPE REJILLA DE AIRE EQUIPADA	SERRANDA DELL'ARIA EQUIPAGGIATA	1
1051	65326227	KOMPL. LUFTKLAPPE COMPLETE LUCHTKLEP	VOLET D'AIR EQUIPE VÁLVULA DE AIRE EQUIPADA	SERRANDA DELL'ARIA EQUIPAGGIATA	1
1060	13011751	GRAUE FEDER/ LUFT VEER GRIJS/ LUCHT	RESSORT GRIS/ AIR RESORTE GRIS/ AIRE	MOLLA GRIGIA/ ARIA	1
1070	65301070	UEBERTRAGUNGSTANGE BG+WINKELGELENK COMPLETE KOPPELING	ACCOUPLLEMENT EQUIPE ACOPLAMIENTO EQUIPADO	ACCOPPIAMENTO EQUIPAGGIATO	1
1071	65326226	STELLANTRIEBHALTER STEUN REGELMOTOR	SUPPORT SERVOMOTEUR SOPORTE SERVOMOTOR	SUPPORTO SERVOMOTORE	1
1080	13010055	GEHÄUSEDICHTUNG DICHTING CARTER	JOINT CARTER JUNTA CÂRTER	GUARNIZIONE CARTER	1
1090	13016845	KABELDURCHFUEHRUNG/GEHAEUSE DRAADDOORVOER/BRANDERHUIS	PASSE FIL/CARTER PASACABLES/CÂRTER	PASSAFILO/ CARTER	1
1100	65301016	BRENNERHAUBE VECTRON5 U. V6 KPL. COMPLETE KAP VECTRON5 EN V6	CAPOT VECTRON5 ET V6+VIS CUBIERTA VECTRON5 Y V6 EQUIPADA	COFANO V5 E V6 EQUIPAGGIATO	1
1101	65300519	FLACHKOPFSCHRAUBE M5X15 PLATKOPFSCHROEF M5X15	VIS A TETE PLATE M5X15 TORNILLO DE CABEZA PLANA M5X15	VITE A TESTA PIANA M5X15	1
1102	13009772	DICHTBAND / HAUBE DICHTINGSSTRIP / BRANDERKAP	BANDE D'ETANCHEITE / CAPOT BANDA ESTANQUEIDAD / CUBIERTA	NASTRO SIGILLANTE/ COPERTURA	1
1140	13010008	SCHAUGLAS KIJKGLAS	VERRE DE REGARD VISOR	VISORE DI CALDAIA	1
1145	13009648	KABELDURCHFÜHRUNG DRAADGELEIDER	PASSE FIL PASACABLES	PASSA FILO	1
1170	13009748	LUFTGLEICHRICHTER LUCHTRECICLAGE	REDRESSEUR D'AIR RECTIFICADOR DE AIRE	RADDRIZZATORE D'ARIA	1
1180	13009738	DRUCKANSCHLUSS DRUKAANSLUITING	PRISE DE PRESSION TOMA DE PRESIÓN	PRESA DI PRESSIONE	1
1190	13009736	LÜFTERRAD D240X114 d24 VENTILATOR D240X114 d24	TURBINE D240X114 d24 TURBINA D240X114 d24	TURBINA D240X114 d24	1
	13009737	LÜFTERRAD D250X114 d24 VENTILATOR D250X114 d24	TURBINE D250X114 d24 TURBINA D250X114 d24	TURBINA D250X114 d24	1
1200	13020723	HALTER LUFTDRUCKWAECHTER D32 STEUN MANOSTAAT HUBA D32	SUPPORT MANOSTAT AIR D32 SOPORTE DEL MANOSTATO DE AIRE D32	SUPPORTO PRESSOSTATO DELL'ARIA D32	1
1210	65300021	LUFTDRUCKWACHTER 604.92 1-10MB LUCHTDRUKSCHAKELAAR 604.92 1-10MB	MANOSTAT AIR 604.92 1-10MB PRESOSTATO AIRE 604.92 1-10MB	PRESSOSTATO ARIA 604.92 1-10MB	1
1220	13009739	MOTOR 2,2KW230/400V D24+STECKER MOTOR 2,2KW230/400V D24+STEKKER	MOTEUR 2,2KW230/400V D24+PRISE MOTOR 2,2KW230/400V D24+TOMA	MOTORE 2,2KW230/400V D24+PRESA	1
	13009740	MOTOR 2,5KW230/400V D24+STECKER MOTOR 2,5KW230/400V D24+STEKKER	MOTEUR 2,5KW230/400V D24+PRISE MOTOR 2,5KW230/400V D24+TOMA	MOTORE 2,5KW230/400V D24+PRESA	1
1230	13014337	SCHLAUCH D4/6 BUIS D4/6	TUYAU D4/6 TUBO D4/6	TUBO D4/6	1
1510	13009663	ZUENDTRAFU EBI 2X7,5 230V ONTSTEKINGSTRAFO EBI 2X7,5 230V	ALLUMEUR EBI 2X7,5 230V ENCENDEDOR EBI 2X7,5 230V	TRASFORMATORE ACCENSIONE EBI 2X7,5 230V	1
1520	13016457	SICHERUNGHALTER+SICHERUNG 6.3A ZEKERINGHOUDER+ZEKERING 6,3A	PORTE FUSIBLE+FUSIBLE 6.3A PORTA FUSIBLE+FUSIBLE 6.3A	PORTAFUSIBILE + FUSIBILE 6.3A	1
1525	13016028	FEINSICHERUNG 5X20 6.3 A (TRAEGE) ZEKERING 5X20 6.3A	FUSIBLE 5X20 6.3A (CALIBRE) FUSIBLE 5X20 6.3A	FUSIBILE 5X20 6.3A	1
1530	13010007	SCHALTER EIN/AUS SCHAKELAAR ON/OFF	INTERRUPTEUR MARCHE/ARRET INTERRUPTOR	INTERRUTTORE ON/OFF	1
1540	13014009	BETRIEBSSCHALTER SCHAKELAAR - BEDRIJF	INTERRUPTEUR - FONCTIONNEMENT INTERRUPTOR	INTERRUTTORE - FUNZIONAMENTO	1
1550	65300975	ANZEIGE FUR FEUERUNGSAUTOMAT BT3XX DISPLAY VOOR BRANDERAUTOMAAT BT3XX	AFFICHEUR POUR COFFRET BT3XX PANTALLA PARA PROGRAMADOR BT3XX	DISPLAY PER APPARECCHIATURA BT3XX	1
1560	65300992	BEDIENFELD KUNSTSTOFF PLASTIC BEDIENINGSPANEEL	PUPIRE DE COMMANDE PLASTIQUE PUPIRE DE MANDO PLÁSTICO	QUADRO DI COMANDO PLASTICO	1
1570	65300993	KABELDURCHFUEHRUNG D54/D47/D36 DRAADDOORVOER D54/D47/D36	PASSE FIL D54/D47/D36 PASACABLE D54/D47/D36	PASSA FILO D54/D47/D36	1
1580	13009661	VERSCHLUSS / BEDIENFELD AFSLUITER / BEDIENINGSPANEEL	OBTURATEUR / PUPITRE OBTURADOR / TABLERO	OTTURATORE / QUADRO	1
1600	65301060	KABEL+STECKER/GASDRUCKWAECHTER KABEL+STEKKER/GAS DRUKBEWAKER	CABLE+PRISE/MANOSTAT GAZ CABLE+TOMA/MANOSTATO GAS	CAVO+PRESA/PRESSOSTATO GAS	1
1610	65301061	KABEL+STECKER/GASVENTIL KABEL+STEKKER/GASKLEP	CABLE+PRISE/VANNE GAZ CABLE+TOMA/VÁLVULA GAS	CAVO+PRESA/VALVOLA GAS	1

	XXXXXXXX	DE	FR	IT	X
		NL	ES		
1620	65301062	KABEL M. STECKER F. ZUENDTRAFO KABEL+STEKKER/ONTSTEKER	CABLE+PRISE/ALLUMEUR CABLE+TOMA/ENCENDEDOR	CAVO+PRESA/ACCENDITORE	1
1630	65301063	KABEL M. STECK. F. FLAMMENWAECHT. IRD KABEL VAN DE CEL. IRD.1020.1+STEKKER	CABLE CELLULE IRD.1020.1+PRISE CABLE DEL DETECTOR DE LLAMA IRD.1020.1	CAVO RIVELATORE DI FIAMMA IRD.1020.1	1
1640	65301035	FOTOZELLE IRD 1020.1 WEISS AXIAL FOTOCEL IRD 1020.1 WIT AXIAL	CELLULE IRD 1020.1 BLANC AXIAL CELULA IRD 1020.1 BLANCO AXIAL	CELLULA IRD 1020.1 BIANCO AXIAL	1
1645	65301111	KABEL M. STECKER F. STELLANTRIEB GAS KABEL+STEKKER/SERVOMOTOR GAS	CABLE+PRISE SERVOMOTEUR GAZ CABLE+TOMA/ SERVOMOTOR GAS	CAVO+PRESA/ SERVOMOTORE GAS	1
1650	13010461	FOTOZELLENHALTER M93 ZU IRD1020.1 STEUN FOTOCEL M93 VOOR IRD1020.1	SUPPORT CELLULE M93 POUR IRD1020.1 SOPORTE M93 DE LA CELULA IRD1020.1	SOSTEGNO RIVELAT. M93 PER IRD1020.1	1
1655	65300046	KABEL M. STECKER F. LUFDRUCKWAECHTER KABEL+STEKKER/LUCHTDRUKBEWAKER	CABLE+PRISE/MANOSTAT AIR CABLE+TOMA/MANOSTATO AIRE	CAVO+PRESA/PRESSOSTATO ARIA	1
1660	65301000	KABEL L560+STEKKER 4P/MOTOR KABEL L560+STEKKER 4P/MOTOR	CABLE L560+PRISE 4P/MOTEUR CABLE L560+TOMA 4P/MOTOR	CAVO LUNGH. 560MM + PRESA 4 POLI/MOTORE	1
1670	13009743	ZÜNDKABEL ONTSTEKINGSKABEL	CABLE ALLUMAGE CABLE ENCENDIDO	CAVO ACCENSIONE	1
1700	65300964	FEUERUNGSAUTOMAT LCG 911 BT320 BRANDERAUTOMAAT LCG 911 BT320	COFFRET LCG 911 BT320 PROGRAMADOR LCG 911 BT320	APPARECCHIATURA LCG 911 BT320	1
	65326219	FEUERUNGSAUT. LCG921.01 BT330 UV BRANDERAUT. LCG921.01 BT330 UV	COFFRET LCG921.01 BT330 UV PROGRAMADOR LCG921.01 BT330 UV	APPARECCH. LCG921.01 BT330 UV	1
	65326450	FEUERUNGSAUTOMAT LCG911.02 BRANDERAUTOMAAT LCG911.02	COFFRET LCG911.02 PROGRAMADOR LCG911.02	APPARECCHIATURA LCG911.02	1
	65326452	FEUERUNGSAUTOMAT LCG921.03 BRANDERAUTOMAAT LCG921.03	COFFRET LCG921.03 PROGRAMADOR LCG921.03	APPARECCHIATURA LCG921.03	1
1800	13009778	SCHALTSCHÜTZ SCHAKELAAR	CONTACTEUR CONTACTOR	CONTATTORE	1
1810	13009746	MOTORSCHUTZRELAIS LR2K 5.5-8.0A THERMISCH RELAIS LR2K 5,5-8,0A	RELAIS THERMIQUE LR2K 5.5-8.0A RELÉ TÉRMICO LR2K 5.5-8.0A	RELÉ TERMICO LR2K 5.5-8.0A	1
2100	65301027	STERNGASKOPF KPL. MONTIERT T1/KN GASLIJN COMPLEET T1/KN	LIGNE GAZ EQUIPEE T1/KN LÍNEA DE GAS EQUIPADA T1/KN	LINEA GAS COMPLETA T1/KN	1
	65301028	STERNGASKOPF KPL. MONTIERT T2/KL GASLIJN COMPLEET T2/KL	LIGNE GAZ EQUIPEE T2/KL LÍNEA DE GAS EQUIPADA T2/KL	LINEA GAS COMPLETA T2/KL	1
	65301029	STERNGASKOPF KPL. MONTIERT T3/KM GASLIJN COMPLEET T3/KM	LIGNE GAZ EQUIPEE T3/KM LÍNEA DE GAS EQUIPADA T3/KM	LINEA GAS COMPLETA T3/KM	1
2110	65301030	GASKOPF-SET GAS VERSTUIVEREENHEID	ENSEMBLE TETE GAZ CONJUNTO DIFUSOR DE GAS	GRUPPO TESTA GAS	1
2120	13009726	ZUENDELEKTROD.27X55 d6,4D2X23 45° +SCHR. ELEKTRODENBLOK 27X55 d6,4D2X23 45°+SCHR.	BLOC-ELECTRODES 27X55 d6,4D2X23 45° +VIS BLOQ.ELECTRO.27X55 d6,4D2X23 45°+TORNIL.	BLOC.ELETTRODI 27X55 d6,4D2X23 45° +VITE	1
2130	13010049	ANSATZSCHRAUBE M4/ELEKTRODENBLOK KRAAGSCHROEF M4/ELEKTRODEBLOK	VIS EPAULEE M4/BLOC-ELECTRODES TORN.ALLEN M4/BLOQUE-ELECTRODOS	VITE CON SPALLAMENTO M4/BLOCCO ELETTRODI	1
2131	13009725	FLANSCH 20X11X2,6 FIX. ZUENDELEKTRODE FLENS 20X11X2,6 FIX. ONTSTEKINGSPEN	BRIDE 20X11X2,6 FIX. ELECTRODE BRIDA 20X11X2,6 FIX. ELECTRODO	FLANGIA 20X11X2,6 FIX. ELETTRODO	1
2150	65301117	GASROHR LG.506 ELLEBOOG GAS+BUIS LG.506	COUDE GAZ+TUBE LG.506 CODO GAS LG.506	GOMITO GAS+TUBO LG.506	1
	65301118	GASROHR LG.706 ELLEBOOG GAS+BUIS LG.706	COUDE GAZ+TUBE LG.706 CODO GAS LG.706	GOMITO GAS+TUBO LG.706	1
	65301119	GASROHR LG.606 ELLEBOOG GAS+BUIS LG.606	COUDE GAZ+TUBE LG.606 CODO GAS LG.606	GOMITO GAS+TUBO LG.606	1
2160	65301120	DRALLKOERPER WERVELKRANS	TURBULATEUR TURBULENCIADOR	VORTICIZZATORE	1
2180	13009727	ZÜNDKABEL L950 ONTSTEKINGSKABELS L950	CABLES ALLUMAGE L950 CABLES ENCENDIDO L950	CAVI ACCENSIONE L950	1
2190	13009731	O-RING D.75X4 O-RING D.75X4	O'RING D.75X4 JUNTA TÓRICA D.75X4	O'RING D.75X4	1
2200	65301031	FLAMMENROHR D227/157 L380 BRANDERBUIS D227/157 L380	TUBE DE FLAMME D227/157 L380 TUBO DE LLAMA D227/157 L380	BOCCAGLIO D227/157 L380	1
	65301032	FLAMMENROHR D227/157 L623 BRANDERBUIS D227/157 L623	TUBE DE FLAMME D227/157 L623 TUBO DE LLAMA D227/157 L623	BOCCAGLIO D227/157 L623	1
	65301033	FLAMMENROHR D227/157 L530 BRANDERBUIS D227/157 L530	TUBE DE FLAMME D227/157 L530 TUBO DE LLAMA D227/157 L530	BOCCAGLIO D227/157 L530	1
2210	13009723	BEF.SCHRAUBENKIT BRENNERROHR (X3) KIT BEV.SCHROEF BRANDERBUIS (X3)	KIT VIS FIX. TUBE BRULEUR (X3) KIT TORN.FIJ. TUBO QUEMADOR (X3)	KIT VITI FISS. TUBO BRUCIATORE (X3)	1
2300	13009719	DICHTUNG/KESSELTÜR 326X335X3 DICHTING KLINGERIT 326X335X3	JOINT/FAÇADE CHAUDIERE 326X335X3 JUNTA/FRENTE CALDERA 326X335X3	GUARN./LATO FRONTALE CALDAIA 326X335X3	1
2330	65300252	DRUCKROHR/FEUERRAUM LG. 250MM BUIS KAMERDRUK LG. 250MM	TUBE PRESSION FOYER LG. 250MM TUBO DE PRESIÓN DEL HOGAR LG. 250MM	TUBO PRESSIONE CAMERA LG. 250MM	1
	65300597	DRUCKROHR/FEUERRAUM LG. 350MM BUIS KAMERDRUK LG. 350MM	TUBE PRESSION FOYER LG. 350MM TUBO DE PRESIÓN DEL HOGAR LG. 350MM	TUBO PRESSIONE CAMERA LG. 350MM	1
2350	65300854	BEFESTIGUNGSSCHRAUBE+MUTTER M12X80 BEVESTIGINGSSCHROEF+MOER M12X80	VIS DE FIXATION+ECROU M12X80 TORNILLO DE FIJACIÓN+TUERCA M12X80	VITE DI FISSAGGIO+DADO M12X80	1
2360	13022998	STEBBOLZEN-SET M12X40+MUTTER SET TAPEINDEN M12X40+MOER	KIT GOIJONS M12X40+ECROU KIT PASADORES M12X40+TUERCA	SET PRIGIONIERI M12X40+DADO	1

		DE NL	FR ES	IT	X
2420	13009724	ACHSENKIT KIT ASSEN	KIT AXES KIT EJES	KIT ASSI	1
3305	65300980	STELLANTRIEB STE 4,5 BO37/6 R SERVOMOTOR STE 4,5 BO37/6 R	SERVOMOTEUR STE 4,5 BO37/6 R SERVOMOTOR STE 4,5 BO37/6 R	SERVOMOTORE STE 4,5 BO37/6 R	1
3310	65312327	HAUBE F. SCHRITTMOTOR KAP SERVOMOTOR	CAPOT SERVOMOTEUR CUBIERTA SERVOMOTOR	COPERCHIO SERVOMOTORE	1
3312	65301268	GASKLAPPE KPL. DN65 GASKLEP DN65	CLAPET GAZ COMPLET DN65 VALVOLA DEL GAS DN65	VALVOLA DEL GAS DN65	1
3317	65301267	DREH-ANSCHLAG F. WELLE STE4.5 0.8NM AANSLAG ROT. /AS STE 4.5 0,8 NM	BUTEE ARRET ROTAT./AXE STE4.5 0.8NM TOPE ROTACION/EJE STE4.5 0.8NM	PERNO ARRESTO ROTAZ. ALBERO STE4.5 0.8NM	1
3319	65312458	KABELDURCHFUEHRUNG DIM.34X15/12 D.6,2 DRAADDOORVOER DIM.34X15/12 D.6,2	PASSE-FIL DIM.34X15/12 D.6,2 PASACABLE DIM.34X15/12 D.6,2	PASSA FILO DIM.34X15/12 D.6,2	1
3335	13010078	GASDRUCKWÄCHTER GW 150 A5 30-150MB DIN GASDRUKREGELAAR GW 150 A5 30-150MB DIN	MANOSTAT GAZ GW 150 A5 30-150MB DIN MANOSTATO GAS GW 150 A5 30-150MB DIN	PRESSOSTATO GAS GW 150 A5 30-150MB DIN	1
3350	13009693	GASANSCHLUSSROHR KPL. RP2 GASAANSLUITBUIS CPL. RP2	COLLECTEUR CPL. RP2 COLECTOR CPL. RP2	COLLETTORE ACC. RP2	1
3352	13009722	MESSNIPPEL R1/8 DRUKAANSLUITING R1/8	PRISE PRESSION R1/8 TOMA PRESIÓN R1/8	PRESA PRESSIONE R1/8	1
3360	13022996	GASVENTIL MBC700 SE S82 RP1"1/4 GASKLEP MBC700 SE S82 RP1"1/4	VANNE GAZ MBC700 SE S82 RP1"1/4 VALVULA GAS MBC700 SE S82 RP1"1/4	VALVOLA GAS MBC700 SE S82 RP1"1/4	1
	65300008	GASVENTIL MBC1200 SE S82 RP2" GASKLEP MBC1200 SE S82 RP2"	VANNE GAZ MBC1200 SE S82 RP2" VALVULA GAS MBC1200 SE S82 RP2"	VALVOLA GAS MBC1200 SE S82 RP2"	1
3370	13022416	FILTEREINSATZ F. GASVENTIL MBC700 ZEEFFILTER/GASKLEP MBC700	FILTRE TAMIS/VANNE GAZ MBC700 FILTRO DE TAMIZ/VALVULA DE GAS MBC700	SET FILTRI/VALVOLA GAS MBC700	1
	13022417	FILTEREINSATZ F. GASVENTIL MBC1200 ZEEFFILTER/GASKLEP MBC1200	FILTRE TAMIS/VANNE GAZ MBC1200 FILTRO DE TAMIZ/VALVULA DE GAS MBC1200	SET FILTRI/VALVOLA GAS MBC1200	1
3400	65301065	O'RING SET MBC700/1200 DN PAKKINGSET MBC700/1200 DN	KIT JOINTS MBC700/1200 DN KIT DE JUNTAS MBC700/1200 DN	KIT GUARNIZIONI MBC700/1200 DN	1
3450	13007858	FLANSCH MB415/420 RP1 1/2 FLENS MB415/420 RP1 1/2	BRIDE MB415/420 RP1 1/2 BRIDA MB415/420 RP1 1/2	FLANGIA MB415/420 RP1 1/2	1
3505	65300980	STELLANTRIEB STE 4,5 BO37/6 R SERVOMOTOR STE 4,5 BO37/6 R	SERVOMOTEUR STE 4,5 BO37/6 R SERVOMOTOR STE 4,5 BO37/6 R	SERVOMOTORE STE 4,5 BO37/6 R	1
3510	65312327	HAUBE F. SCHRITTMOTOR KAP SERVOMOTOR	CAPOT SERVOMOTEUR CUBIERTA SERVOMOTOR	COPERCHIO SERVOMOTORE	1
3512	65301268	GASKLAPPE KPL. DN65 GASKLEP DN65	CLAPET GAZ COMPLET DN65 VALVOLA DEL GAS DN65	VALVOLA DEL GAS DN65	1
3517	65301267	DREH-ANSCHLAG F. WELLE STE4.5 0.8NM AANSLAG ROT. /AS STE 4.5 0,8 NM	BUTEE ARRET ROTAT./AXE STE4.5 0.8NM TOPE ROTACION/EJE STE4.5 0.8NM	PERNO ARRESTO ROTAZ. ALBERO STE4.5 0.8NM	1
3519	65312458	KABELDURCHFUEHRUNG DIM.34X15/12 D.6,2 DRAADDOORVOER DIM.34X15/12 D.6,2	PASSE-FIL DIM.34X15/12 D.6,2 PASACABLE DIM.34X15/12 D.6,2	PASSA FILO DIM.34X15/12 D.6,2	1
3600	65301067	GASVENTIL MBC1900 SE DN65 GASKLEP MBC1900 SE DN65	VANNE GAZ MBC1900 SE DN65 VALVULA GAS MBC1900 SE DN65	VALVOLA GAS MBC1900 SE DN65	1
3630	13010078	GASDRUCKWÄCHTER GW 150 A5 30-150MB DIN GASDRUKREGELAAR GW 150 A5 30-150MB DIN	MANOSTAT GAZ GW 150 A5 30-150MB DIN MANOSTATO GAS GW 150 A5 30-150MB DIN	PRESSOSTATO GAS GW 150 A5 30-150MB DIN	1
3700	65301066	O'RING SET MBC1900 DN PAKKINGSET MBC1900 DN	KIT JOINTS MBC1900 DN KIT DE JUNTAS MBC1900 DN	KIT GUARNIZIONI MBC1900 DN	1
3910	13009703	EXTERNER GASFILTER DN65 FILTER GAS EXTERN DN65	FILTRE GAZ EXTERNE DN65 FILTRO GAS EXTERNO DN65	FILTRO GAS ESTERNO DN65	1
3911	13009704	GASFILTERELEMENT DN65 MIT DICHTUNG FILTERELEMENT GAS DN65 MET DICHTING	ELEMENT FILTRANT GAZ DN65 AVEC JOINT ELEMENTO FILTRANTE GAS DN65 CON JUNTA	ELEMENTO FILTRANTE GAS DN65 CON GUARNIZ.	1
4005	65300980	STELLANTRIEB STE 4,5 BO37/6 R SERVOMOTOR STE 4,5 BO37/6 R	SERVOMOTEUR STE 4,5 BO37/6 R SERVOMOTOR STE 4,5 BO37/6 R	SERVOMOTORE STE 4,5 BO37/6 R	1
4010	65312327	HAUBE F. SCHRITTMOTOR KAP SERVOMOTOR	CAPOT SERVOMOTEUR CUBIERTA SERVOMOTOR	COPERCHIO SERVOMOTORE	1
4012	65301268	GASKLAPPE KPL. DN65 GASKLEP DN65	CLAPET GAZ COMPLET DN65 VALVOLA DEL GAS DN65	VALVOLA DEL GAS DN65	1
4017	65301267	DREH-ANSCHLAG F. WELLE STE4.5 0.8NM AANSLAG ROT. /AS STE 4.5 0,8 NM	BUTEE ARRET ROTAT./AXE STE4.5 0.8NM TOPE ROTACION/EJE STE4.5 0.8NM	PERNO ARRESTO ROTAZ. ALBERO STE4.5 0.8NM	1
4019	65312458	KABELDURCHFUEHRUNG DIM.34X15/12 D.6,2 DRAADDOORVOER DIM.34X15/12 D.6,2	PASSE-FIL DIM.34X15/12 D.6,2 PASACABLE DIM.34X15/12 D.6,2	PASSA FILO DIM.34X15/12 D.6,2	1
4030	13020958	ANSCHLUSSKABEL SKP VERBINDINGSKABEL SKP	CABLE DE LIAISON SKP CABLE DE CONEXIÓN SKP	CAVO DI COLLEGAMENTO SKP	1
4100	65323661	GASVENTIL VGD40 065 DN65 GASKLEP VGD40 065 DN65	VANNE GAZ VGD40 065 DN65 VALVULA GAS VGD40 065 DN65	VALVOLA GAS VGD40 065 DN65	1
4102	65107100	STELLANTRIEB SKP25.003E2 O. ENDSCHALTER REGELMOT. GAS SKP25.003E2 Z.EINDSCHALTE	SERVOMOT. GAZ SKP25.003E2 S.FIN COURSE SERVOMOTOR SKP25.003 E2 SIN FIN CARRERA	SERVOMOT. GAS SKP25.003E2 S.FINE CORSA	1
4105	13020951	SERVOMOT. GAS SKP15.000E2 O.ENDSCHALTER SERVOMOT. GAS SKP15.000E2 Z.EINDSCHAK.	SERVOMOT. GAZ SKP15.000E2 S.FIN COURSE SERVOMOT. GAS SKP15.000E2 S.TOPE	SERVOMOT. GAS SKP15.000E2 S.FINECORSA	1
4110	13010078	GASDRUCKWÄCHTER GW 150 A5 30-150MB DIN GASDRUKREGELAAR GW 150 A5 30-150MB DIN	MANOSTAT GAZ GW 150 A5 30-150MB DIN MANOSTATO GAS GW 150 A5 30-150MB DIN	PRESSOSTATO GAS GW 150 A5 30-150MB DIN	1
4150	65301068	DRUCKABNAHMEROHR M. VERSCHR. GASDRUKBUIS MET AANSLUITING	TUBE DE PRESSION GAZ AVEC RACCORD TUBO PRESIÓN GAS CON RACOR	TUBO DELLA PRESSIONE GAS CON RACCORDO	1

		DE		FR		IT		
		NL		ES				
4160	13023188	WINKELVERSCHRAUBUNG GEBOGEN AANSLUITING		RACCORD COUDE RACOR ACODADO		RACCORDO A GOMITO		1
4170	13009721	GERADES ANSCHLUSSSTÜCK VERBINDING RECHT		RACCORD DROIT EMPALME RECTO		RACCORDO DESTRO		1
4200	65301066	O'RING SET MBC1900 DN PAKKINGSET MBC1900 DN		KIT JOINTS MBC1900 DN KIT DE JUNTAS MBC1900 DN		KIT GUARNIZIONI MBC1900 DN		1
4410	13009703	EXTERNER GASFILTER DN65 FILTER GAS EXTERN DN65		FILTRE GAZ EXTERNE DN65 FILTRO GAS EXTERNO DN65		FILTRO GAS ESTERNO DN65		1
4411	13009704	GASFILTERELEMENT DN65 MIT DICHTUNG FILTERELEMENT GAS DN65 MET DICHTING		ELEMENT FILTRANT GAZ DN65 AVEC JOINT ELEMENTO FILTRANTE GAS DN65 CON JUNTA		ELEMENTO FILTRANTE GAS DN65 CON GUARNIZ.		1
5005	65326445	DREHZAHLEGLER ABB ACS 2,2 KW FREQUENTIEREGELAAR ABB ACS 2,2 KW		VARIATEUR ABB ACS 2,2 KW VARIADOR ABB ACS 2,2 KW		VARIATORE ABB ACS 2,2 KW		1
	65326446	DREHZAHLEGLER ABB ACS 3 KW FREQUENTIEREGELAAR ABB ACS 3 KW		VARIATEUR ABB ACS 3 KW VARIADOR ABB ACS 3 KW		VARIATORE ABB ACS 3 KW		1
5006	65300021	LUFTRUCKWACHTER 604.92 1-10MB LUCHTRUKSCHAKELAAR 604.92 1-10MB		MANOSTAT AIR 604.92 1-10MB PRESOSTATO AIRE 604.92 1-10MB		PRESSOSTATO ARIA 604.92 1-10MB		1
5007	65326448	MOTOR 2,2KW+DREHSENSOR/DREHZAHLEGLER MOTOR 2,2KW+ROTAT. /FREQU.REGELAAR		MOTEUR 2,2KW+CAPTEUR ROTAT./VARIATEUR MOTOR 2,2KW+SENSOR INDUCT./VARIADOR		MOTORE 2,2KW+SENSORE ROTA./VARIATORE		1
	65326449	MOTOR 2,5KW+DREHSENSOR/DREHZAHLEGLER MOTOR 2,5KW+ROTAT. /FREQU.REGELAAR		MOTEUR 2,5KW+CAPTEUR ROTAT./VARIATEUR MOTOR 2,5KW+SENSOR INDUCT./VARIADOR		MOTORE 2,5KW+SENSORE ROTA./VARIATORE		1
5010	65311362	PRUEFBR.M.DRUCKKNOPFHAIN PB2 PROEFBRANDER MET DRUKKNOP PB2		BRULEUR ESSAI AVEC B. POUSSOIR PB2 QUEMADOR DE PRUEBA CON PULSADOR PB2		BRUCIATORE DI PROVA CON PULSANTE PB2		1
5015	65311790	LCM100 MODUL (LSB-M 667R0500-1) LCM100-MODULE (LSB-M 667R0500-1)		MODULE LCM100 (LSB-M 667R0500-1) MÓDULO LCM100 (LSB-M 667R0500-1)		MODULO LCM100 (LSB-M 667R0500-1)		1
5020	65311918	VSM100 MODUL VMS100-MODULE		MODULE VSM100 MÓDULO VSM100		MODULO VSM100		1
5035	1658418384	INDUKT. NÄHERUNGSSCHALTER NAMUR SENSOR NAMUR		CAPTEUR NAMUR SENSOR NAMUR		SENSORE NAMUR		1
5130	65326220	MAX. GASDRUCKWAECHTER UB50 A2+KABEL L600 GASDRUKSCHAKELAAR MAX.UB50 A2+KABEL L600		PRESSOSTAT GAZ MAX. UB50 A2+CABLE L600 PRESOSTATO GAS MAX.UB50 A2+CABLE L600		PRESSOSTATO GAS MASS.UB50 A2+CAVO L600		1
5522	65321365	ABDECKUNG FÜR ZELLENPOSITION DEKKING VOOR FOTOCEL LOCATIE		COUVERCLE POUR EMPLACEMENT CELLULE TAPA PARA UBICACIÓN FOTOCÉLULA		TAPPO PER FORO FOTOCCELLULA		1
5690	65312274	FOTUZELLE FFS08-UV1 659D31 - 5M W/O FOTOCEL FFS08-UV1 659D31 - 5M W/O		CELLULE FFS08-UV1 659D31 - 5M W/O CELULA FFS08-UV1 659D31 - 5M W/O		CELLULA FFS08-UV1 659D31 - 5M W/O		1
5695	65312242	HALTER F. FLAMMENFUEHLER FFS06/FFS08 STEUN FOTOCEL FFS06/FFS08		SUPPORT POUR CELLULE FFS06/FFS08 SOPORTE CELULA FFS06/FFS08		SUPPORTO FOTOCCELLULA FFS06/FFS08		1
5696	65312275	KONSOLE LAMTEC F152 659G0501 CONSOLE LAMTEC F152 659G0501		CONSOLE LAMTEC F152 659G0501 CONSOLA LAMTEC F152 659G0501		CONSOLLE LAMTEC F152 659G0501		1
5697	65326222	STROMVERSORGUNGKABEL FÜR F152 VOEDINGSKABEL VOOR F152		CABLE ALIMENTATION POUR F152 CABLE FUENTE DE ALIMENTACIÓN PARA F152		CABO ALIMENTAZIONE PER F152		1
5698	65326221	UV-KABEL FÜR BT3XX KABEL UV VOOR BT3XX		CABLE UV POUR BT3XX CABLE UV PARA BT3XX		CAVO UV PER BT3XX		1
5699	65312244	ANSCHLUSSKABEL BT300/LCM100 667P0515 AANSLUITKABEL BT300/LCM100 667P0515		CABLE LIAISON BT300/LCM100 667P0515 CABLE DE CONEXION BT300/LCM100 667P0515		CAVO COLLEGAMENTO BT300/LCM100 667P0515		1



		RU TR	PT HR	PL	X
1005	13009640	УПЛОТНЕНИЕ ВОЗДУХОЗАБОРНИКА HAVA KUTUSU CONTASI	JUNTA CAIXA DE AR PRIKLUJUČAK KOMORE ZA ZRAK	USZCZELKA SKRZYNKI POWIETRZA	1
1010	13009642	КРЫШКА ВОЗДУХОЗАБОРНИКА HAVA KUTUSU KAPAĞI	TAMPA REGISTRO DE AR POKLOPAC KOMORE ZA ZRAK	POKRYWA SKRZYNKI POWIETRZA	1
1020	13009641	ИЗОЛЯЦИЯ ВОЗДУХОЗАБОРНИКА HAVA KUTUSU YALITIMI	ISOLAMENTO CAIXA DE ENTRADA DE AR IZOLACIJA KOMORE ZA ZRAK	USZCZELKA SKRZYNKI POWIETRZA	1
1040	65301001	СЕРВОДВИГАТЕЛЬ STE 4,5 Q3.51/6 3NM R SERVOMOTOR STE 4,5 VO37/6	ATUADOR STE 4,5 Q3.51/6 R 3NM POKRETAČ STE 4,5 Q3.51/6 R 3NM	SERWOMOTOR STE 4,5 Q3.51/6 R 3NM	1
1050	13014117	ВОЗДУШНАЯ ЗАСЛОНКА В СБОРЕ DONANIMLI HAVA KARAĞIĞI	CONJUNTO ALETA DE AR OPREMLJENO REŠETKOM ZA VENTILACIJU	ZASŁONA POWIETRZA Z WYPOSAŻENIEM	1
1051	65326227	ВОЗДУШНАЯ ЗАСЛОНКА В СБОРЕ DONANIMLI HAVA KLAPESI	FLAP DE AR EQUIP. ZAKLOPKA ZRAKA KOMPLETAN	PRZEPUSTNICA POWIETRZA Z OSPRZĘTEM	1
1060	13011751	ПРУЖИНА СЕРЯЯ/ВОЗД. GRI/ HAVA YAYI	MOLA ALETA DE AR (CINZENTA) SIVA OPRUGA ZA VENTILACIJU ZRAKA	RESOR SZARY/ POW	1
1070	65301070	СОЕДИНЕНИЕ В СБОРЕ DONANIMLI BAĞLANTI	ACOPLAMENTO COMPLETO SPOJNI MATERIJAL	SPRZĘGŁO Z OSPRZĘTEM	1
1071	65326226	ДЕРЖАТЕЛЬ СЕРВОДВИГАТЕЛЬ DESTEĞI SERVOMOTOR	SUPORTE SERVOMOTOR NOSITELJ SERVO MOTOR	WSPORNIK SERVOMOTOR	1
1080	13010055	УПЛОТНЕНИЕ КОЖУХА KARTER CONTASI	JUNTA CAIXA SPOJ KUĆIŠTA	USZCZELKA KARTERA	1
1090	13016845	МУФТА ПРОПУСКА ПРОВОДА/КАРТЕР KABLO KANALI/KARTER	PASSA-CABOS/CAIXA VODILICA / KARTER	PRZELOTKA PRZEWODU/OBUDOWA	1
1100	65301016	ЧЕХОЛ VECTRON5+ V6 +ВИНТ КРЕПЛЕНИЯ DONANIMLI MUHAFAZA KARAĞI VECTRON5 / V6	EXTRATOR VECTRON5 E V6+PARAFUSO FIXAÇÃO POKLOPAC VECTRON5 I V6+VIJAK	POKRYWA VECTRON5 I V6 Z OSPRZĘTEM	1
1101	65300519	ВИНТ С ПЛОСКОЙ ГОЛОВКОЙ M5X15 DÜZ BAŞLI VIDA M5X15	PARAFUSO CABEÇA PLANA M5X15 VIJAK S PLOSNATOM GLAVOM M5x15	ŚRUBA Z LBEM NITOWYM PŁASKIM M5X15	1
1102	13009772	УПЛОТНИТЕЛЬНАЯ ЛЕНТА/КОЖУХ YALITIM BANDI / GÖVDE KAPLAMA	BANDA DE VEDAÇÃO EXAUSTOR TRAKA ZA BRTVLJENJE POKLOPCA	TAŚMA USZCZELNIAJĄCA/POKRYWA	1
1140	13010008	СМОТРОВОЕ СТЕКЛО RÖGAR CAMI	VIGIA KONTROLNI PROZORČIĆ	SZKŁO PODGLĄDU	1
1145	13009648	ПРОХОДНАЯ ВТУЛКА ДЛЯ ПРОВОДА KABLO GEÇİRİCİ	PASSA-CABOS VODILICA	PRZELOT KABLI	1
1170	13009748	ВОЗДУШНЫЙ ВЫПРЯМИТЕЛЬ HAVA DÜZELTİCİ	RECICLAGEM DE AR ISPRAVLJAČ ZA ZRAK	PROSTOWNIK POWIETRZA	1
1180	13009738	ДАТЧИК ДАВЛЕНИЯ BASINÇ GİRİŞİ	TORNEIRA DE PRESSÃO TLAČNA SLAVINA	GNAZDO CIŚNIENIOWE	1
1190	13009736	ТУРБИНА D240X114 d24 D240X114 d24 TÜRBİN	TURBINA D240X114 d24 TURBINA D240X114 d24	WIMIK D240X114 d24	1
	13009737	ТУРБИНА D250X114 d24 D250X114 d24 TÜRBİN	TURBINA D250X114 d24 TURBINA D250X114 d24	WIMIK D250X114 d24	1
1200	13020723	КРОНШТЕЙН ПНЕВМОРЕЛЕ D32 HAVA BASINÇ ŞALTERİ MESNEDI D32	BASE MANÓSTATO AR D32 DRŽAČ MANOSTATA ZA ZRAK D32	WSPORNIK CZUJNIKA CIŚNI. POWIET. D32	1
1210	65300021	РЕЛЕ ДАВ. ВОЗДУХА 604.92 1-10МВ HAVA BASINÇ ŞALT. 604.92 1-10MB	MANÓSTAT DE AR 604.92 1-10MB MANOSTAT ZA ZRAK 604.92 1-10MB	CZUJNIK CIŚ. POW. 604.92 1-10MB	1
1220	13009739	ДВИГАТЕЛЬ 2,2KW230/400V D24+РАЗЪЕМ MOTOR 2,2KW230/400V D24+PRİZ	MOTOR 2,2KW230/400V D24+PLUGUE MOTOR 2,2KW230/400V D24+SLAVINA	SILNIK 2,2 KW 230/400 V D24 + GNAZDO	1
	13009740	ДВИГАТЕЛЬ 2,5KW230/400V D24+РАЗЪЕМ MOTOR 2,5KW230/400V D24+PRİZ	MOTOR 2,5KW230/400V D24+PLUGUE MOTOR 2,5KW230/400V D24+SLAVINA	SILNIK 2,5 KW 230/400 V D24 + GNAZDO	1
1230	13014337	ТРУБКА D4/6 TÜP D4/6	TUBO D4/6 CIJEV D4/6	RURKA D4/6	1
1510	13009663	ТРАНСФО РОЗЖИГА EBI 2X7,5 230V ATEŞLEME TRAFÖ. EBI 2X7,5 230V	TRANSFO IGNIÇÃO EBI 2X7,5 230V UPALJAČ EBI 2X7,5 230V	TRANSFO ZAPŁONOWY EBI 2X7,5 230V	1
1520	13016457	ДЕРЖАТЕЛЬ ПРЕДОХР-ЛЯ + ПРЕДОХР-ЛЬ 6,3 А ŞİGORTA TAŞIYICI + 6.3A ŞİGORTA	PORTA-FUSÍVEL+FUSÍVEL 6,3A PATRONA OSIGURAÇA S OSIGURAČEM 6,3A	OPRAWA BEZPIECZNIKOWA +BEZPIECZNIK 6,3 A	1
1525	13016028	ПРЕДОХРАНИТЕЛЬ 5X20 6.3A SIGORTA 5X20 6.3A	FUSÍVEL 5X20 6,3A OSIGURAČ 5X20 6.3A (JAČINA)	BEZPIECZNIKA 5X20 6.3A	1
1530	13010007	ПЕРЕКЛЮЧАТЕЛЬ ŞALTER	INTERRUPTOR LIGAR/DESLIGAR SKLOPKA UKLJ./ISKLJ.	PRZEŁĄCZNIK	1
1540	13014009	ПЕРЕКЛЮЧАТЕЛЬ ŞALTER	INTERRUPTOR - FUNCIONAMENTO PREKIDAČ - RAD	PRZEŁĄCZNIK	1
1550	65300975	ДИСПЛЕЙ FOR БЛОК УПРАВЛЕНИЯ ВТ3ХХ EKRAN KUTU VТ3ХХ	VISOR UNIDADE DE CONTROLE ВТ3ХХ ZASŁON NA ZAŠTITNOM ORMARIĆU ВТ3ХХ	WYŚWIETLACZ MODUŁ ВТ3ХХ	1
1560	65300992	ПУЛЬТ УПРАВЛЕНИЯ ПЛАСТИКОВЫЙ İŞLETİM MASASI PLASTİK	PLACA DE CONTROLE PLÁSTICA PLASTIČNA UPRAVLJAČKA PLOČA	PLASTIKOWY PULPIT STEROWNICZY	1
1570	65300993	МУФТА ПРОКЛАДКИ ПРОВОДА D54/D47/D36 KABLO KANALI D54/D47/D36	PASSA-CABOS D54/D47/D36 VODILICA D54/D47/D36	PRZELOTKA PRZEWODU D54/D47/D36	1
1580	13009661	ЗАТВОР/ПУЛЬТ TAPA / KONTROL PANELİ	OBTURADOR INTERFACE ZATVARAČ/ UPRAVLJAČKA PLOČA	PRZEPUSTNICA / PULPIT	1
1600	65301060	КАБЕЛЬ+РАЗЪЕМ РЕЛЕ ДАВЛЕНИЯ BASINÇ GAZ ŞALTERİ KABLOSU+GİRİŞ	CABO+CONECTOR/PRESSOSTATO GÁS KABEL S NAZUVICOM ZA MANOSTAT PLINA	PRZEWÓD CZUJNIKA CIŚNIENIA GAZU+GNAZD.	1
1610	65301061	КАБЕЛЬ+РАЗЪЕМ ГАЗОВОГО КЛАПАНА GAZ VANA KABLOSU	CABO+CONECTOR/VÁLVULA GÁS KABEL S NAZUVICOM ZA VENTIL PLINA	PRZEWÓD ZAWORU GAZU	1

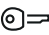





		RU TR	PT HR	PL	X
1620	65301062	КАБЕЛЬ+РАЗЪЕМ/УСТРОЙСТВО РОЗЖИГА KABLO+GIRIŞ/ATEŞLEYİCİ	CABO+CONECTOR/ACENDEDOR KABEL S NAZUVICOM ZA UPALJAČ	PRZEWÓD+GNIAZDO/APARAT ZAPŁONOWY	1
1630	65301063	КАБЕЛЬ ФОТОРЕЗИСТ. IRD.1020.1+РАЗЪЕМ HÜCRE IRD.1020.1 KABLOSU+GIRIŞ	CABO FOTOCÉLULA IRD.1020.1+CONECTOR KABEL ÇELIJE IRD.1020.1+SLAVINA	PRZEWÓD FOTOKOMÓ. IRD.1020.1+ GNIAZDO	1
1640	65301035	ФОТОРЕЗИСТОР IRD.1020.1 БЛАН+КРОНШТЕЙН HÜCRE IRD 1020.1 AXIAL	FOTOCÉLULA IRD 1020.1 BRANCO AXIAL ÇELIJA IRD 1020.1 BIJELA AKSIJALNA	FOTOKOMÓRKA IRD 1020.1 WHITE AXIAL	1
1645	65301111	КАБЕЛЬ+РАЗЪЕМ/ГАЗОВЫЙ СЕРВОДВИГАТЕЛЬ GAZ SERVO MOTOR KABLOSU	CABO+CONECTOR/SERVOMOTOR GÁS KABEL S NAZUVICOM / POKRETAČ PLINA	PRZEWÓD SERWOMOT. PRZEPUSTNICY GAZU	1
1650	13010461	ДЕРЖАТЕЛЬ ДЛЯ ФОТОЭЛЕМЕНТА IRD1020.1 HÜCRE MESNEDI M93 İÇİN IRD1020.1	SUPORTE FOTOCÉLULA M93 PARA IRD1020.1 NOSAÇ ÇELIJE M93 ZA IRD1020.1	WSPORNIK DLA FOTOKOMÓRKA IRD1020.1	1
1655	65300046	КАБЕЛЬ+РАЗЪЕМ/ВОЗДУШНАЯ РЕЛЕ ДАВЛЕНИЯ KABLO+GIRIŞ/HAVA BASINÇ ŞALTERİ	CABO+CONECTOR/MANÓSTATO DE AR KABEL S NAZUVICOM / MANOSTAT ZRAKA	PRZEWÓD+GNIAZDO/CZUJNIK CIŚNIENIA POW.	1
1660	65301000	КАБЕЛЬ L560+РАЗЪЕМ 4-ПОЛЮС/ДВИГАТЕЛЬ L560 KABLO +PRİZ 4P/MOTOR	CABO C.560+CONECTOR 4P/MOTOR KABEL L560+SLAVINA 4P/MOTOR	KABEL L560+GNIAZDO 4P/SILNIK	1
1670	13009743	КАБЕЛЬ РОЗЖИГА ATEŞLEME KABLOSU	CABO DE IGNIÇÃO KABEL ZA PALJENJE	KABEL ZAPALNIKA	1
1700	65300964	БЛОК УПРАВЛЕНИЯ LCG 911 BT320 KUTU LCG 911 BT320	PROGRAMADOR LCG 911 BT320 ZAŠTITNI ORMARIĆ LCG 911 BT320	MODUŁ LCG 911 BT320	1
	65326219	БЛОК УПР. LCG921.01 BT330 UV KUTU LCG921.01 BT330 UV	CAIXA DO CONT. LCG921.01 BT330 UV ZAŠTITNI ORMARIĆ LCG921.01 BT330 UV	MODUŁ LCG921.01 BT330 UV	1
	65326450	БЛОК УПРАВЛЕНИЯ LCG911.02 KUTU LCG911.02	PROGRAMADOR LCG911.02 ZAŠTITNI ORMARIĆ LCG911.02	MODUŁ LCG911.02	1
	65326452	БЛОК УПРАВЛЕНИЯ LCG921.03 KUTU LCG921.03	UNIDADE DE CONTROLE LCG921.03 ZAŠTITNI ORMARIĆ LCG921.03	MODUŁ LCG921.03	1
1800	13009778	КОНТАКТОР KONTAKTÖR	CONTATOR PREKIDAČ SPOJKE	KONTAKTOR	1
1810	13009746	ТЕРМОРЕЛЕ LR2K 5.5-8.0A LR2K 5.5-8.0A TERMİL RÖLE	RELÉ TÉRMICO LR2K 5.5-8.0A TOPLINSKI RELEJ LR2K 5.5-8.0A	PRZEKAŹNIK TERMICZNY LR2K 5,5-8,0 A	1
2100	65301027	АРМАТУРА ГАЗОПРОВОДА Т1/KN DONANIMLI GAZ HATTI T1/KN	LINHA DE GÁS COMPLETA T1/KN OPREMLJENO LINIJOM PLINA T1/KN	UKŁAD CIŚNIENIA GAZU Z WYPO.T1/KN	1
	65301028	АРМАТУРА ГАЗОПРОВОДА Т2/KL DONANIMLI GAZ HATTI T2/KL	LINHA DE GÁS COMPLETA T2/KL OPREMLJENO LINIJOM PLINA T2/KN	UKŁAD CIŚNIENIA GAZU Z WYPOS. T2/KL	1
	65301029	АРМАТУРА ГАЗОПРОВОДА Т3/KM DONANIMLI GAZ HATTI T3/KM	LINHA DE GÁS COMPLETA T3/KM OPREMLJENO LINIJOM PLINA T3/KM	UKŁAD CIŚNIENIA GAZU Z WYPOS. T3/KM	1
2110	65301030	УЗЕЛ ГАЗОВОГО ДИФУЗОРА GAZ DIFÜZÖERÜ GRUBU	CONJUNTO DIFUSOR GÁS KOMPLET PLINSKE GLAVE	ZESPÓŁ DYSZY GAZU	1
2120	13009726	БЛОК ЭЛЕКТРОДОВ 27X55 d6,4D2X23 45°+ВИНТ ELEKTROD BLOĞU 27X55 d6,4D2X23 45°+VIDA.	BLOCO ELETROD.27X55 d6,4D2X23 45°+PARAF. ELECTROD.BLOC.27X55 d6,4 D2X23 45°+SCREW	BLOK ELEKTROD 27X55 d6,4D2X23 45° +ŞRUBA	1
2130	13010049	ВИНТ С БУРТИКОМ М4/БЛОК ЭЛЕКТРОДОВ M4 OMUZLU VIDA/ELEKTROT BLOĞU	PARAFUSO M4/BLOCO DE ELÉTRODOS IMBUS VIJAK M4 / BLOK-ELEKTRODE	ŞRUBA M4/BLOKADA ELEKTROD	1
2131	13009725	ФЛАНЕЦ 20X11X2,6 FIX. ЭЛЕКТРОД FLANŞI 20X11X2,6 FIX. ELEKTROD	FLANGE 20X11X2,6 FIX. ELETRODO PRIRUBNICA S OPRUGOM / BLOK-ELEKTRODE	KOŁNIERZ 20X11X2,6 FIX. ELEKTRODA	1
2150	65301117	ГАЗОВОЕ КОЛЕНО LG.506 GAZ KLAPE LG.506	COTOVELO GÁS+TUBO COMP.506 PLINSKO KOLJENO+CIJEV DULJ.506	KOLANKO DO INSTALACJI GAZOWEJ LG.506	1
	65301118	ГАЗОВОЕ КОЛЕНО LG.706 GAZ KLAPE LG.706	COTOVELO GÁS+TUBO COMP.706 PLINSKO KOLJENO+CIJEV DULJ.606	KOLANKO DO INSTALACJI GAZOWEJ LG.706	1
	65301119	ГАЗОВОЕ КОЛЕНО LG.606 GAZ KLAPE LG.606	COTOVELO GÁS+TUBO COMP.606 PLINSKO KOLJENO+CIJEV DULJ.706	KOLANKO DO INSTALACJI GAZOWEJ LG.606	1
2160	65301120	ЗАВИХРИТЕЛЬ DOENER GOEYDE	GERADOR DE TURBULÊNCIA TURBULATOR	ZAWIROWYWACZ	1
2180	13009727	ЗАПАЛЬНЫЕ ПРОВОДА L950 L950 ATEŞLEME KABLÖLARI	CABOS IGNIÇÃO L950 KABELI OSVJETLJENJA L950	KABEL ZAPALNIKA L950	1
2190	13009731	УПЛОТН. КОЛЬЦО D.75X4 O-RING D.75X4	O-RING D.75X4 O-PRSTEN D.75X4	O-RING D.75X4	1
2200	65301031	СОПЛО ГОРЕЛКИ D227/157 L380 BRÜLÖR BORUSU D227/157 L380	TUBO DO QUEIMADOR D227/157 L380 CIJEV PLAMENA D227/157 L380	RURA PALNIKA D227/157 L380	1
	65301032	СОПЛО ГОРЕЛКИ D227/157 L623 BRÜLÖR BORUSU D227/157 L623	TUBO DO QUEIMADOR D227/157 L623 CIJEV PLAMENA D227/157 L623	RURA PALNIKA D227/157 L623	1
	65301033	СОПЛО ГОРЕЛКИ D227/157 L530 BRÜLÖR BORUSU D227/157 L530	TUBO DO QUEIMADOR D227/157 L530 CIJEV PLAMENA D227/157 L530	RURA PALNIKA D227/157 L530	1
2210	13009723	КОМПЛ-Т ВИНТ КРЕПЛЕН ТРУБЫ ГОРЕЛКИ (X3) BRÜLÖR TÜRÜ TESBİT VIDASI KİTİ (X3)	KIT PARAFUSO FIX. TUBO QUEIMADOR (X3) KOMPLET VIJAKA FIKS. CIJEV PLAMENIKA(X3)	ZESTAW ŚRUB MOCOW. RURA PALNIKA (X3)	1
2300	13009719	УПЛОТНЕНИЕ/ПЕРЕДН ЧАСТЬ КОТЛА 326X335X3 326X335X3 KAZAN CONTASI/ÖN YÜZÜ	JUNTA/FRENTE CALDEIRA 326X335X3 SPOJ/PREDNJI DIO BOJLERA 326X335X3	USZCZELKA/ŚCIANA CZÓŁ. KOTŁA 326X335X3	1
2330	65300252	ТРУ. ОТБОРА ДАВЛ. В ТОПОЧ. КАМЕРЕ L250MM OSAК TERTİBATI BASINÇ BORUSU LG. 250MM	TUBO PRESSÃO FORNALHA COMP. 250MM TLAČNA CIJEV ZA LOŽIŠTE DULJ. 250MM	PRZEWÓD CIŚNIENIA W PALENISKU LG. 250MM	1
	65300597	ТРУ. ОТБОРА ДАВЛ. В ТОПОЧ. КАМЕРЕ L350MM OSAК TERTİBATI BASINÇ BORUSU LG. 350MM	TUBO PRESSÃO FORNALHA COMP. 350MM TLAČNA CIJEV ZA LOŽIŠTE DULJ. 350MM	PRZEWÓD CIŚNIENIA W PALENISKU LG. 350MM	1
2350	65300854	КРЕПЕЖНЫЙ ВИНТ+ГАЙКА M12X80 BORUSU BAĞLANTI VIDASI+SOMUN M12X80	PARAFUSO DE FIXAÇÃO+PORCA M12X80 VIJAK ZA UČVRŠĆIVANJE + MATICA	ŚRUBA MOCUJĄCĄ+NAKRĘTKA M12X80	1
2360	13022998	КОМПЛЕКТ ШПИЛЬКИ M12X40+ГАЙКА SAPLAMA TAKIMI M12X40+SOMUN	KIT CAVILHAS M12X40+PORCA KOMPLET SPOJNH VIJAKA M12X40+MATICA	ZESTAW SWORZEŃ M12X40+NAKRĘTKA	1

		<b>RU</b> <b>TR</b>	<b>PT</b> <b>HR</b>	<b>PL</b>	
2420	13009724	КОМПЛЕКТ ПАЛЬЦЕВ AKS KİTİ	KIT EIXOS KOMPLET OSOVINA	ZESTAW OSI	1
3305	65300980	СЕРВОДВИГАТЕЛЬ STE 4,5 BO37/6 R SERVOMOTOR STE 4,5 BO37/6 R	ATUADOR STE 4,5 BO37/6 R POKRETAČ STE 4,5 BO37/6 R	SERWOMOTOR STE 4,5 BO37/6 R	1
3310	65312327	ЧЕХОЛ СЕРВОДВИГАТЕЛЬ SERVOMOTOR KARAĞI	TAMPA DO ATUADOR POKLOPAC POKRETAČA	POKRYWA SERWOMOTOR	1
3312	65301268	ГАЗОВЫЙ КЛАПАН DN65 В СБОРЕ KOMPLE GAZ KLAPESI DN65	CONJUNTO VÁLVULA DE GÁS DN65 KOMPLET PLINSKOG VENTILA DN65	ZAWÓR GAZU KOMPL. DN65	1
3317	65301267	ФИКСИРУ. УПОР,ВРАЩАЮЩ./ОСЬ STE 4.5 0.8NM ROTATIF STOPER /STANDART AKS 4.5 0.8NM	PARADA ROTAÇÃO VEIO STE 4,5 0,8NM GRANIČ. ZAUST.ROTIR./OSOV. STE 4.5 0.8NM	ODBOJNIK OBROTOWY /OŚ STE 4.5 0,8 NM	1
3319	65312458	МУФТА ПРОКЛАДКИ ПРОВ DIM.34X15/12 D.6,2 KABLO KANALI DIM.34X15/12 D.6,2	PASSA-CABOS DIM.34X15/12 D.6,2 VODILICA DIM.34X15/12 DULJINA 6,2	PRZELOTKA PRZEWODU DIM.34X15/12 D6,2	1
3335	13010078	РЕГУЛ ДАВЛ. ГАЗА. GW 150 A5 30—150MB DIN GW 150 A5 30-150MB DIN GAZ MANOSTATI	PRESSOSTATO GÁS GW 150 A5 30-150MB DIN PREKID.TLAKA PLI. GW 150 A5 30-150MB DIN	CZUJNIK CIŚ. GAZU GW 150 A5 30-150MB DIN	1
3350	13009693	КОЛЛЕКТОР В СБОРЕ RP2 MANIFOLD KMPL. RP2	COLETOR COMPLETO RP2 SPOJKA KOLEKTORA RP2	KOLEKTOR KOMPL. RP2	1
3352	13009722	ДАТЧИК ДАВЛЕНИЯ R1/8 R1/8 BASINÇ PRİZİ	TOMADA DE PRESSÃO R1/8 TLAČNA SLAVINA R1/8	GNIAZDO CIŚNIENIOWE R1/8	1
3360	13022996	ГАЗОВЫЙ КЛАПАН MBC700 SE S82 RP1*1/4 GAZ VANASI MBC700 SE S82 RP1*1/4	VÁLVULA GÁS MBC700 SE S82 RP1 1/4 PLINSKI VENTIL MBC700 SE S82 RP1*1/4	ZAWÓR GAZOWY MBC700 SE S82 RP1*1/4	1
	65300008	ГАЗОВЫЙ КЛАПАН MBC1200 SE S82 RP2* GAZ VANASI MBC1200 SE S82 RP2*	VÁLVULA GÁS MBC1200 SE S82 RP2 PLINSKI VENTIL MBC1200 SE S82 RP2*	ZAWÓR GAZOWY MBC1200 SE S82 RP2*	1
3370	13022416	СЕТЧАТЫЙ ФИЛЬТР/ГАЗОВЫЙ КЛАПАН MBC700 FILTRE SÜZGECİ/GAZ VANASI MBC700	ELEMENTO FILTRANTE/VÁLVULA DE GÁS MBC700 FILTAR S REŠETKOM/PLINSKI VENTIL MBC700	FILTR SITOWY/ZAWÓR GAZOWY MBC700	1
	13022417	СЕТЧАТЫЙ ФИЛЬТР/ГАЗОВЫЙ КЛАП. MBC1200 FILTRE SÜZGECİ/GAZ VANASI MBC1200	ELEMENTO FILTRANTE/VÁLVULA GÁS MBC1200 FILTAR S REŠETKOM/PLINSKI VENTIL MBC1200	FILTR SITOWY/ZAWÓR GAZOWY MBC1200	1
3400	65301065	КОМПЛЕКТ ПРОКЛАДОК MBC700/1200 DN CONTA KITI MBC700/1200 DN	KIT JUNTAS MBC700/1200 DN KOMPLET PRIKLJUČAKA MBC700/1200 DN	ZESTAW USZCZELEK MBC700/1200 DN	1
3450	13007858	ФЛАНЕЦ MB415/420 RP1 1/2 FLANŞI MB415/420 RP1 1/2	FLANGE MB415/420 RP1 1/2 PRIRUBNICA RP1 1/2	KOŁNIERZ MB415/420 RP1 1/2	1
3505	65300980	СЕРВОДВИГАТЕЛЬ STE 4,5 BO37/6 R SERVOMOTOR STE 4,5 BO37/6 R	ATUADOR STE 4,5 BO37/6 R POKRETAČ STE 4,5 BO37/6 R	SERWOMOTOR STE 4,5 BO37/6 R	1
3510	65312327	ЧЕХОЛ СЕРВОДВИГАТЕЛЬ SERVOMOTOR KARAĞI	TAMPA DO ATUADOR POKLOPAC POKRETAČA	POKRYWA SERWOMOTOR	1
3512	65301268	ГАЗОВЫЙ КЛАПАН DN65 В СБОРЕ KOMPLE GAZ KLAPESI DN65	CONJUNTO VÁLVULA DE GÁS DN65 KOMPLET PLINSKOG VENTILA DN65	ZAWÓR GAZU KOMPL. DN65	1
3517	65301267	ФИКСИРУ. УПОР,ВРАЩАЮЩ./ОСЬ STE 4.5 0.8NM ROTATIF STOPER /STANDART AKS 4.5 0.8NM	PARADA ROTAÇÃO VEIO STE 4,5 0,8NM GRANIČ. ZAUST.ROTIR./OSOV. STE 4.5 0.8NM	ODBOJNIK OBROTOWY /OŚ STE 4.5 0,8 NM	1
3519	65312458	МУФТА ПРОКЛАДКИ ПРОВ DIM.34X15/12 D.6,2 KABLO KANALI DIM.34X15/12 D.6,2	PASSA-CABOS DIM.34X15/12 D.6,2 VODILICA DIM.34X15/12 DULJINA 6,2	PRZELOTKA PRZEWODU DIM.34X15/12 D6,2	1
3600	65301067	ГАЗОВЫЙ КЛАПАН MBC1900 SE DN65 GAZ VANASI MBC1900 SE DN65	VÁLVULA GÁS MBC1900 SE DN65 PLINSKI VENTIL MBC1900 SE DN65	ZAWÓR GAZOWY MBC1900 SE DN65	1
3630	13010078	РЕГУЛ ДАВЛ. ГАЗА. GW 150 A5 30—150MB DIN GW 150 A5 30-150MB DIN GAZ MANOSTATI	PRESSOSTATO GÁS GW 150 A5 30-150MB DIN PREKID.TLAKA PLI. GW 150 A5 30-150MB DIN	CZUJNIK CIŚ. GAZU GW 150 A5 30-150MB DIN	1
3700	65301066	КОМПЛЕКТ ПРОКЛАДОК MBC1900 DN CONTA KITI MBC1900 DN	KIT JUNTAS MBC1900 DN KOMPLET PRIKLJUČAKA MBC1900 DN	ZESTAW USZCZELEK MBC1900 DN	1
3910	13009703	ГАЗ ФИЛЬТР ВНЕШНИЙ DN65 DN65 HARİCİ GAZ FİLTRESİ	FILTRO GÁS EXTERNO DN65 VANJSKI FILTAR ZA PLIN DN65	FILTR GAZ. ZEWNĘTRZNY DN65	1
3911	13009704	ГАЗ. ФИЛЬТРУЮЩИЙ ЭЛЕМЕНТ DN65 С УПЛОТН. CONTAI DN65 GAZ FİLTRE ELEMANI	ELEMENTO FILTRANTE GÁS DN65 COM O-RING ELEMENT FILTRIR. PLINA DN65 S PRIKLJUČK.	ELEMENT FILTRUJĄCY GAZ. DN65 Z USZCZELKĄ	1
4005	65300980	СЕРВОДВИГАТЕЛЬ STE 4,5 BO37/6 R SERVOMOTOR STE 4,5 BO37/6 R	ATUADOR STE 4,5 BO37/6 R POKRETAČ STE 4,5 BO37/6 R	SERWOMOTOR STE 4,5 BO37/6 R	1
4010	65312327	ЧЕХОЛ СЕРВОДВИГАТЕЛЬ SERVOMOTOR KARAĞI	TAMPA DO ATUADOR POKLOPAC POKRETAČA	POKRYWA SERWOMOTOR	1
4012	65301268	ГАЗОВЫЙ КЛАПАН DN65 В СБОРЕ KOMPLE GAZ KLAPESI DN65	CONJUNTO VÁLVULA DE GÁS DN65 KOMPLET PLINSKOG VENTILA DN65	ZAWÓR GAZU KOMPL. DN65	1
4017	65301267	ФИКСИРУ. УПОР,ВРАЩАЮЩ./ОСЬ STE 4.5 0.8NM ROTATIF STOPER /STANDART AKS 4.5 0.8NM	PARADA ROTAÇÃO VEIO STE 4,5 0,8NM GRANIČ. ZAUST.ROTIR./OSOV. STE 4.5 0.8NM	ODBOJNIK OBROTOWY /OŚ STE 4.5 0,8 NM	1
4019	65312458	МУФТА ПРОКЛАДКИ ПРОВ DIM.34X15/12 D.6,2 KABLO KANALI DIM.34X15/12 D.6,2	PASSA-CABOS DIM.34X15/12 D.6,2 VODILICA DIM.34X15/12 DULJINA 6,2	PRZELOTKA PRZEWODU DIM.34X15/12 D6,2	1
4030	13020958	СОЕДИНИТЕЛЬНЫЙ КАБЕЛЬ SKP SKP BAĞLANTI KABLOSU	CABO DE CONEXÃO SKP SPOJNI KABLOVI SKP	KABEL ŁĄCZĄCY SKP	1
4100	65323661	ГАЗОВЫЙ КЛАПАН VGD40 065 DN65 GAZ VANASI VGD40 065 DN65	VÁLVULA GÁS VGD40 065 DN65 PLINSKI VENTIL VGD40 065 DN65	ZAWÓR GAZOWY VGD40 065 DN65	1
4102	65107100	СЕРВОДВИГАТЕЛЬ SKP25.003 E2 БЕЗ КОНЦЕВЫ SERVOMOTOR SKP 25.003 E2 LIMIT ANAHTAR	SERVOMOT. GÁS SKP25.003 E2 SEM FIM CURSO POKRET. PLINA SKP25.003E2 S.FINO PODEŠA.	SERWOSILNIK SKP25.003E2 BEZ WYŁĄCZNIKI	1
4105	13020951	ИСП. МЕХАНИЗМ ГАЗ SKP15.000E2 S.КОНЦЕВОЙ KURS SONSUZ SKP15.000E2 GAZ SERVOMOTORU	ATUADOR GÁS SKP15.000E2 S.FIMO CURSO POKRET. PLINA SKP15.000E2 S.FINO PODEŠA.	SIŁOWNIK GAZ. SKP15.000E2 S.WYL.KRAŃCOWY	1
4110	13010078	РЕГУЛ ДАВЛ. ГАЗА. GW 150 A5 30—150MB DIN GW 150 A5 30-150MB DIN GAZ MANOSTATI	PRESSOSTATO GÁS GW 150 A5 30-150MB DIN PREKID.TLAKA PLI. GW 150 A5 30-150MB DIN	CZUJNIK CIŚ. GAZU GW 150 A5 30-150MB DIN	1
4150	65301068	ТРУБКА ОТБОРА ДАВЛЕНИЯ ГАЗА СО ШТУЦЕР. RAKORLU GAZ BASINÇ BORUSU	TUBO DE PRESSÃO GÁS COM CONEXÃO TLAČNA PLINSKA CIJEV SA SPOJEVIMA	RURA CIŚNIENIA GAZU ZE ZŁĄCZEM	1

☞	XXXXXXXX	RU TR	PT HR	PL	X
4160	13023188	УГЛОВОЙ ШТУЦЕР DIRSEKLI RAKOR	CONEXÃO COTOVELO KOLJENASTI SPOJ	ZŁĄCZKA TYPU KOLANKO	1
4170	13009721	ШТУЦЕР, ПРАВЫЙ SAĞ RAKOR	CONEXÃO DIREITA RAVNI SPOJ	ZŁĄCZE PRAWIE	1
4200	65301066	КОМПЛЕКТ ПРОКЛАДОК MBC1900 DN CONTA KITI MBC1900 DN	KIT JUNTAS MBC1900 DN KOMPLET PRIKLJUČAKA MBC1900 DN	ZESTAW USZCZELEK MBC1900 DN	1
4410	13009703	ГАЗ ФИЛЬТР ВНЕШНИЙ DN65 DN65 HARICI GAZ FİLTRESİ	FILTRO GÁS EXTERNO DN65 VANJSKI FILTAR ZA PLIN DN65	FILTR GAZ. ZEWNĘTRZNY DN65	1
4411	13009704	ГАЗ. ФИЛЬТРУЮЩИЙ ЭЛЕМЕНТ DN65 С УПЛОТН. CONTALI DN65 GAZ FİLTRE ELEMANI	ELEMENTO FILTRANTE GÁS DN65 COM O-RING ELEMENT FILTRIR. PLINA DN65 S PRIKLJUČK.	ELEMENT FILTRUJĄCY GAZ. DN65 Z USZCZELKĄ	1
5005	65326445	ВАРИАТОРА ABB ACS 2,2 KW HIZ VARYATÖR ABB ACS 2,2 KW	VARIADOR ABB ACS 2,2 KW FREQUENCY INVERTER ABB ACS 2,2 KW	REGULACJĄ PRĘDKOŚCI ABB ACS 2,2 KW	1
	65326446	ВАРИАТОРА ABB ACS 3 KW HIZ VARYATÖR ABB ACS 3 KW	VARIADOR ABB ACS 3 KW FREQUENCY INVERTER ABB ACS 3 KW	REGULACJĄ PRĘDKOŚCI ABB ACS 3 KW	1
5006	65300021	РЕЛЕ ДАВ. ВОЗДУХА 604.92 1-10МВ HAVA BASINÇ ŞALT. 604.92 1-10MB	MANÓSTATO DE AR 604.92 1-10MB MANOSTAT ZA ZRAK 604.92 1-10MB	CZUJNIK CIŚ. POW. 604.92 1-10MB	1
5007	65326448	ЭЛЕКТРОДВИГАТ.2,2KW+ДАТЧИК/ВАРИАТОРА MOTORU 2,2KW+SENSÖR/HIZ VARYATÖR	MOTOR 2,2KW+SENSOR INDUCT./VARIADOR MOTOR 2,2KW+ROTAT. SENSOR/INVERTER	SILNIK 2,2KW+ROTAT.CZUJNIK/REGULACJĄ	1
	65326449	ЭЛЕКТРОДВИГАТ.2,5KW+ДАТЧИК/ВАРИАТОРА MOTORU 2,5KW+SENSÖR/HIZ VARYATÖR	MOTOR 2,5KW+SENSOR INDUCT./VARIADOR MOTOR 2,5KW+ROTAT. SENSOR/INVERTER	SILNIK 2,5KW+ROTAT.CZUJNIK/REGULACJĄ	1
5010	65311362	ИСПЫТАТЕЛЬНАЯ ГОРЕЛКА С КНОПКОЙ PB2 BASMA DÜĞMESİ İLE BRÜLÖR TEST PB2	QUEIMADOR DE ENSAIO COM B. PRESSÃO PB2 SUĐENJE PLAMENIK S PRITISK. NA TIPKU PB2	PALNIK TEST Z PRZYCISKIEM PB2	1
5015	65311790	МОДУЛЬ LCM100 (LSB-M 667R0500-1) MODÜLÜ LCM100 (LSB-M 667R0500-1)	MÓDULO LCM100 (LSB-M 667R0500-1) MODUL LCM100 (LSB-M 667R0500-1)	MODUL LCM100 (LSB-M 667R0500-1)	1
5020	65311918	МОДУЛЬ VSM100 VSM100 MODÜLÜ	MÓDULO VMS100 MODUL VMS100	MODUL VSM100	1
5035	1658418384	ДАТЧИК NAMUR SENSÖR NAMUR	SENSOR NAMUR SENZOR NAMUR	CZUJNIK NAMUR	1
5130	65326220	РЕЛЕ ДАВ. ГАЗА МАКСИ. UB50A2 КАБЕЛЬ L600 GAZ BASINÇ ŞALT. MAKSI.UB50A2+KABLOSU	PRESSOSTATO GAS MAX.UB50 A2+CABO L600 PREKIDAČ TLAKA PLINA MAKSI. UB50 A2+CABLE	CZUJNIK CIŚ. GAZU MAKS.UB50A2+PRZEW.L600	1
5522	65321365	КРЫШКА РАСПОЛОЖЕНИЕ ФОТОЭЛЕМЕНТ HÜCRE KONUMU İÇİN KAPAK	TAMPA PARA LOCALIZAÇÃO FOTOCÉLULA POKRITI ZA MJESTO STANICA	POKRYCIE LOKALIZACJI FOTOKOMÓRKI	1
5690	65312274	ФОТОРЕЗИСТОР FFS08-UV1 659D31 - 5M W/O HÜCRE FFS08-UV1 659D31 - 5M W/O	FOTOCÉLULA FFS08-UV1 659D31 - 5M W/O FOTOČELIJA FFS08-UV1 659D31 - 5M W/O	FOTOKOMÓRKA FFS08-UV1 659D31 - 5M W/O	1
5695	65312242	ДЕРЖАТЕЛЬ ФОТОРЕЗИСТОР FFS06/FFS08 DESTEĞİ HÜCRE FFS06/FFS08	SUPORTE CELULA FFS06/FFS08 PODRŠKA DETEKTOR PLAMENA FFS06/FFS08	WSPORNIK FOTOKOMÓRKA FFS06/FFS08	1
5696	65312275	КОНСОЛЬ LAMTEC F152 659G0501 KONSOL LAMTEC F152 659G0501	CONSOLE LAMTEC F152 659G0501 KONZOLA LAMTEC F152 659G0501	KONSOLA LAMTEC F152 659G0501	1
5697	65326222	КАБЕЛЬ ИСТОЧНИК ПИТАНИЯ ДЛЯ F152 KABLOSU GÜÇ KAYNAĞI İÇİN F152	CABO FONTE DE ALIMENTAÇÃO PARA F152 KABEL NAPAJANJA ZA F152	PRZEWÓD ZASILACZ NA F152	1
5698	65326221	КАБЕЛЬ УЛЬТРАФИОЛЕТОВЫЙ ДЛЯ BT3XX KABLOSU UV İÇİN BT3XX	CABO UV PARA BT3XX KABEL UV ZA BT3XX	PRZEWÓD UV NA BT3XX	1
5699	65312244	КАБЕЛЬ BT300/LCM100 667P0515 BAĞLANTI KABLOSU BT300/LCM100 667P0515	CABO DE CONEXÃO BT300/LCM100 667P0515 PRIKLJUČNI KABEL BT300/LCM100 667P0515	KABEL POŁĄCZENIOWY BT300/LCM100 667P0515	1

CB-VG6M(V)/TC (PED)

Gas burners







## ADDRESSES

www.elco.net

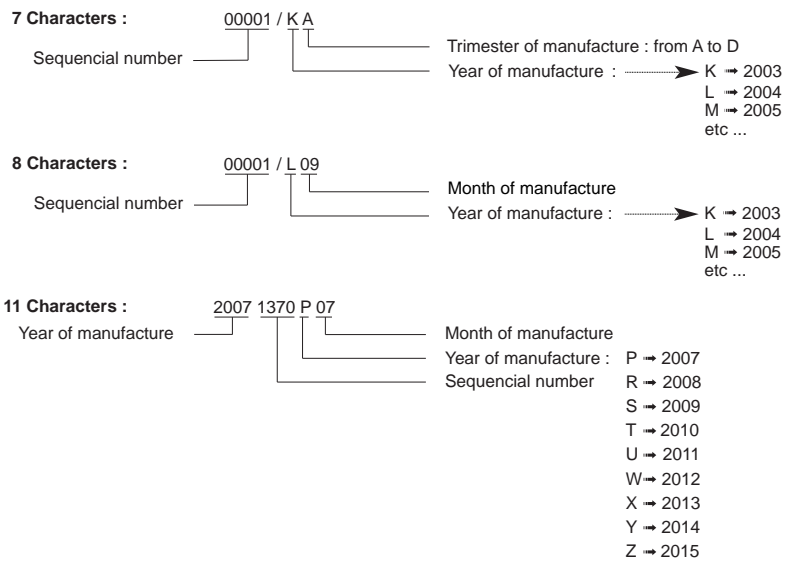


## LIST OF THE ABBREVIATIONS

-  : Maintenance parts / Pièces d'entretien / Materiali di consumo /  
: Piezas de mantenimiento / Hilfsmaterial / Onderhoudsonderdelen
-  : Wearing parts / Pièces d'usure / Parti di usura  
: Piezas de desgaste / Verschleissteile / Slijtageonderdelen
- \* : Item not stocked, manufactured to order / Article non stocké, fabrication à la demande /  
: Articolo non a magazzino, produzione all'ordine / Artículo no almacenado, fabricación previa solicitud /  
: Keine Lagerware, wird bei Bedarf bestellt, Artikel niet op voorraad, fabricage op bestelling

## IDENTIFICATION PLATE

### SERIAL NUMBER



The indications mentioned on the prices, commercial or technical literature and the scheme are written for your guidance and are available at a given time. The CONSTRUCTOR retains the power to modify the presentation, the form, the size, the conception or the material of the products.